

Excellent Integrated System Limited

Stocking Distributor

Click to view price, real time Inventory, Delivery & Lifecycle Information:

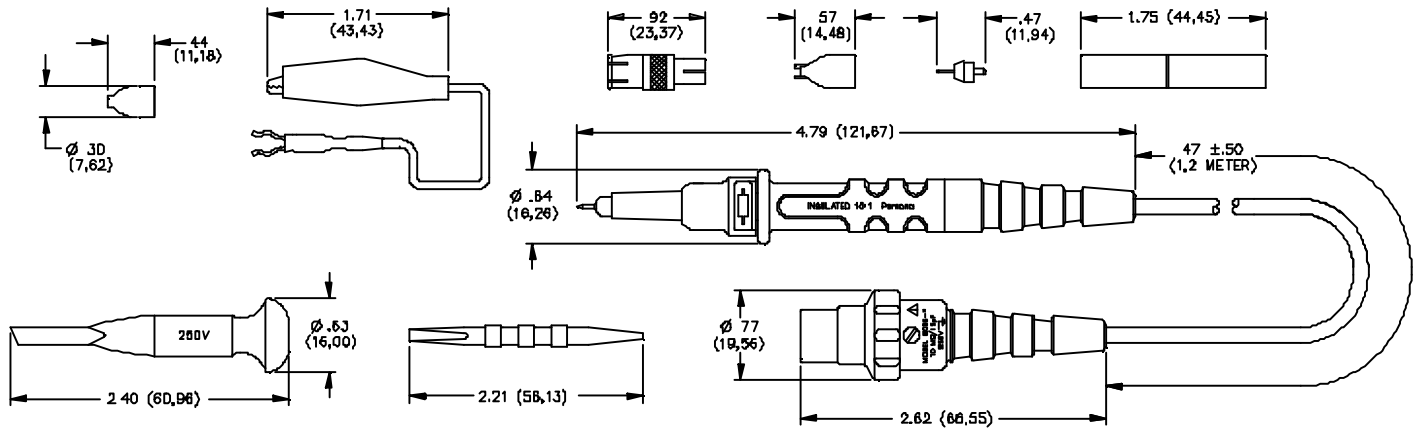
[Pomona Electronics](#)
[6006-2](#)

For any questions, you can email us directly:

sales@integrated-circuit.com

Pomona®

**Model 6006 & 6033
Fully Insulated Switchable
Oscilloscope Probes & Kit**



FEATURES:

- Kit includes one Oscilloscope probe and below listed accessories..
- Probes are fully insulated and are for use with Fluke ScopeMeter®, 90 Series and 105.

RATINGS:

Performance Specifications:

Attenuation:	Bandwidth (MHz)	Input Impedance (MW)	Input Capacitance (pF)	Approx. Rise Time (nS)	Voltage (V Max.) +	Compensation Range (pF)	Cable Length:
x10	200	10	15	1.8	250	10-60	1.2 Meters

+ Derated with Frequency

ACCESSORIES INCLUDED IN KIT

Description:	Pomona Reordering Part Number:
Full Acc. Kit	6034-2 (Red), 6034-8 (Gray)
Sprung Hook	6095-2 (Red), 6095-8 (Gray)
Trimmer Tool	6096
IC Tip	6097
Insulating Tip	6098
BNC Adapter	5822
Replacement Tip	6099
Ground Lead	5825
Sheathed Banana Plug Adapter	6100

ORDERING INFORMATION: Model 6006-*, 6033 (Kit with 1 Red, 1 Gray probe with accessories)

* = Color, -2 Red, -8 Gray

All dimensions are in inches. Tolerances (except noted): .xx = ±.02" (.51 mm), .xxx = ± .005" (.127 mm).

All specifications are to the latest revisions. Specifications are subject to change without notice.

Registered trademarks are the property of their respective companies. Made in USA