

Excellent Integrated System Limited

Stocking Distributor

Click to view price, real time Inventory, Delivery & Lifecycle Information:

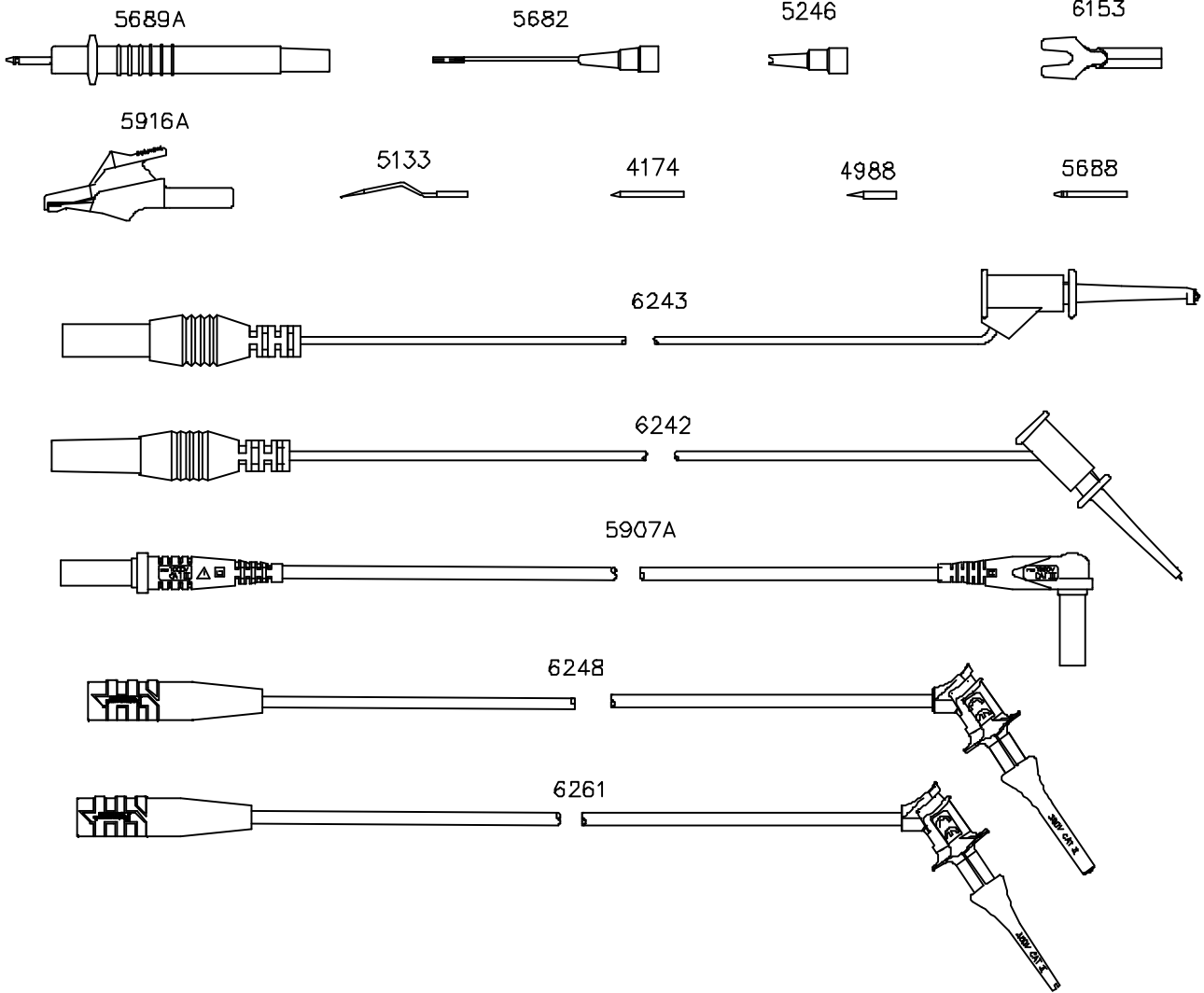
[Pomona Electronics](#)
[6171](#)

For any questions, you can email us directly:

sales@integrated-circuit.com

Pomona®

Model 6171 Test Companion Test Kit For Fluke 20 & 70 Series DMM's



MATERIALS:

Model **4174**: Probe Needle Tip; Stainless Steel Industrial Tip, with a sharp tapered Tip.

Model **4988**: Shoulder Micro Tips; Stainless Steel Tapered Tip for piercing conformal coating.

Model **5133**: Dog Leg Tip; Flexible to maintain contact with test points, sharp point for piercing surface contamination.

All dimensions are in inches. Tolerances (except noted): .xx = ±.02" (.51 mm), .xxx = ±.005" (.127 mm).

All specifications are to the latest revisions. Specifications are subject to change without notice.

Registered trademarks are the property of their respective companies. Made in USA

Pomona®

Model 6171 Test Companion Test Kit For Fluke 20 & 70 Series DMM's

Model **5246**: IC Test Tip Adapter: Insulation: Nylon, Tip: Stainless steel, Color: Black, Red, Green

RATINGS: +80°C. (+176°F.) Max.

Model: **5682**: Probe Extended Tip Adapter; Insulation: Nylon, Tip: Stainless steel, Color: Black, Red, Green,

RATINGS: +80°C. (+176°F.) Max.

Model **5688**: Standard Brass Tips; Nickel Plated Brass Tip, grooved tip for better contact with test points.

Model **5689A**: Replaceable Tip Test Probe with Pop Jack, Body Material: Nylon, Pop Jack Receptacle: Female Pop Jack (Compatible to 5547-48 Test Leads), **RATINGS**: 600VRMS, 10 Amperes.

Model **5907A**: Test Lead Straight to Right Angle: Banana Spring: Nickel plated Beryllium Copper, Insulation– Polypropylene, fire retardant, UL94 V-O2, Wire: 48" silicone 18" AWG, Color: One Black, One Red, **RATINGS**: 1000 VRMS, 10 Amperes.

Model **5916A**: Medium Alligator Clip: Body–Steel, Nickel plated, Insulation – Polypropylene, fire retardant, UL94 V-2, Color: One Black, One Red, **RATINGS**: 300 VRMS, 5 Amperes.

Model **6153**: Spade Lug: ETP 110 Copper, 1/2 Hard. Finish: Nickel Plated.

Model **6242**: SMD Grabber to POP Jack; Grabber: Nylon 6, Contact: Gold plated Beryllium Copper, Compression Spring: Music wire, Banana Jack: Body Nickel Plated Brass, Jack Spring: Nickel Plated Beryllium Copper, Insulation: PVC, Wire: 20 AWG, 41 x 36 Tinned Copper, PVC Jacket, Color: One Black and one Red. **RATINGS**: Operating Voltage: 150 VRMS, Maximum Current: 0.5 Amperes.

Model **6243**: Micro-grabber to POP Jack; Grabber: Nylon 6, Contact: Gold plated Beryllium Copper, Compression Spring: Music wire, Banana Jack: Body Nickel Plated Brass, Jack Spring: Nickel Plated Beryllium Copper, Insulation: PVC, Wire: 20 AWG, 41 x 36 Tinned Copper, PVC Jacket, Color: One Black and one Red. **RATINGS**: Maximum Voltage: 150 VRMS, Maximum Current: 3.0 Amperes.

Model **6248**: Minigrabber to Sheathed Banana Jack; Grabber: Body: Nylon 6 – Fire Retardant – UL94 V-O Rated, Color per part number, Hook: Beryllium Copper, Gold Plated, Compression Spring: Music Wire, Wire: 18 AWG, 65 x 36 Tinned Copper, Insulation – Silicone, .144" (3,66 mm) O.D., Color per Part Number, Banana Jack: Body - Brass, Nickel Plated, Insulation - Nylon 6, Fire Retardant UL94 V-0 Rated, Color per part number, **RATINGS**: IEC 1010 2-031, Category II, P2 Compliant Voltage: 300 VRMS/DC Max. Current: 5 Amperes Max.

All dimensions are in inches. Tolerances (except noted): .xx = ±.02" (.51 mm), .xxx = ±.005" (.127 mm).

All specifications are to the latest revisions. Specifications are subject to change without notice.

Registered trademarks are the property of their respective companies. Made in USA

Pomona®

Model 6171 Test Companion Test Kit For Fluke 20 & 70 Series DMM's

Model **6261**: Minipincer to Sheathed Banana Jack; Grabber: Body: Nylon 6 – Fire Retardant – UL94 V-O Rated, Color per part number, Pincer: Beryllium Copper, Gold Plated, Compression Spring: Music Wire, Wire: 8 AWG, 65 x 36 Tinned Copper, Insulation – Silicone, .144" (3,66 mm) O.D., Color per Part Number

Banana Jack: Body - Brass, Nickel Plated Insulation - Nylon 6, Fire Retardant UL94 V-0 Rated, Color per part number. **RATINGS**: IEC 1010 2-031, Category II, P2 Compliant, Voltage: 300 VRMS/DC Max. Current: 5 Amperes Max.

ORDERING INFORMATION: Model 6171(Includes a kit of items from above)

Replacement P/N's: Model **4174**: Probe Needle Tip; Stainless Steel Industrial Tip, with a sharp tapered Tip, Model **4988**: Shoulder Micro Tips; Stainless Steel Tapered Tip for piercing conformal coating, Model **5133**: Dog Leg Tip; Flexible to maintain contact with test points, sharp point for piercing surface contamination, Model **5246**-*: IC Test Tip Adapter; Insulation, Model: **5682**: Probe Extended Tip Adapter; Insulation, Model **5688**: Standard Brass Tips; Nickel Plated Brass Tip, grooved tip for better contact with test points, Model **5689A**: Replaceable Tip Test Probe with Pop Jack, Model **5907A**: Test Lead Straight to Right Angle, Model **5916A**: Medium Alligator Clip, Model **6153**: Spade Lug, Model **6242**: SMD Grabber to POP Jack; Grabber, Model **6243**: Micrograbber to POP Jack; Grabber, Model **6248-12**-*: Minigrabber to Sheathed Banana Jack; Grabber, Model **6261-12**-*: Minipincer to Sheathed Banana Jack; Grabber: Body.

* = Standard Colors: -0 Black, -2 Red

All dimensions are in inches. Tolerances (except noted): .xx = ±.02" (.51 mm), .xxx = ± .005" (.127 mm).

All specifications are to the latest revisions. Specifications are subject to change without notice.

Registered trademarks are the property of their respective companies. Made in USA