

## **Excellent Integrated System Limited**

Stocking Distributor

Click to view price, real time Inventory, Delivery & Lifecycle Information:

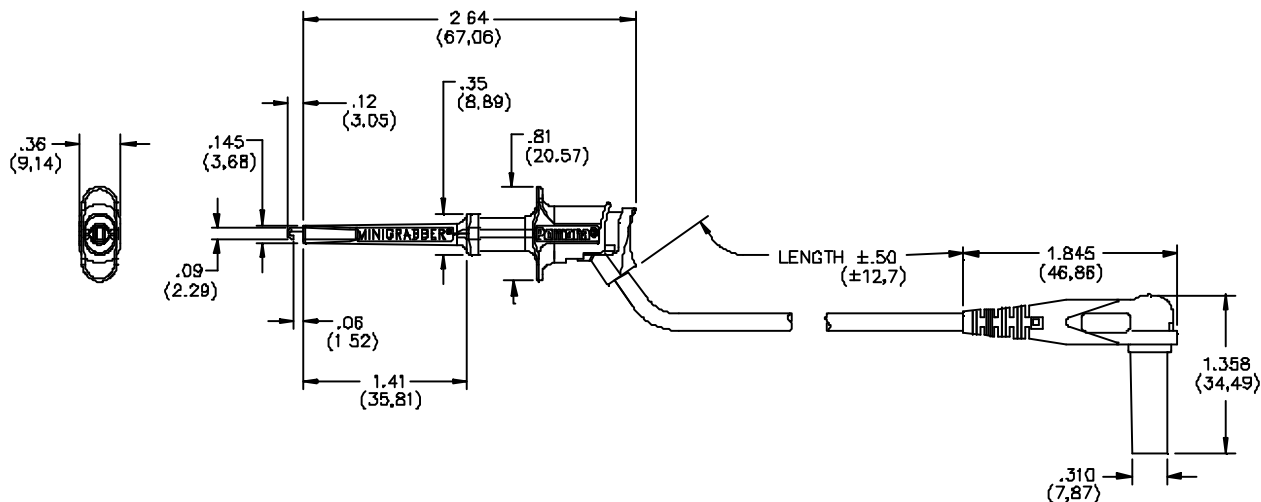
[Pomona Electronics](#)  
[6244-48-0](#)

For any questions, you can email us directly:

[sales@integrated-circuit.com](mailto:sales@integrated-circuit.com)

# Pomona®

## Model 6244 Minigrabber® Test Clip To Right Angle Sheathed Banana Plug Test Lead – IEC1010 Compliant



### FEATURES:

- Newly designed Minigrabber® Test Clip Patch Cord complies with IEC1010-2-31, which is the latest international safety standard for test accessories.
- Grabber width is a slim .36" (9,14 mm) for easier side by side stacking.
- Grabber hook is gold plated beryllium copper to ensure signal integrity & attaches onto component leads up to .060" (1,5 mm) O.D.
- Grabber patch cord interfaces directly into the most popular multimeters configured with 4 mm sheathed safety jacks, including Amprobe, Fluke, H-P, Tektronix and Wavetek.
- For added safety, the grabber and banana plug body insulation material is fire retardant Nylon 6, UL94V-0 rated.
- Plug is molded directly to the cable in an integral one-piece design and the wire is double crimped for a long lasting connection.
- Multi-leaf banana spring material is nickel plated beryllium copper for extended insertion life & low contact resistance.
- High strand count silicone insulated wire offers excellent flexibility and high temperature resistance.

### MATERIALS:

Grabber: Body: Nylon 6 – Fire Retardant – UL94 V-O Rated, Color per part number

Hook: Beryllium Copper, Gold Plated, Compression Spring: Music Wire

Wire: 18 AWG, 65 x 36 Tinned Copper, Insulation – Silicone, .144" (3,66 mm) O.D., Color per P/N

Banana Plug: Body - Brass, Nickel Plated, Spring – Beryllium Copper, Nickel Plated

Insulation - Polypropylene, Fire Retardant UL94 V-2 Rated, Color per part number

### RATINGS:

IEC 1010-2-031, Category II, P2 Compliant

Operating Voltage: 300 VRMS/DC Max.

Current: 5 Amperes Max.

### ORDERING INFORMATION: Model 6244-XX-\*

XX = Length in Inches, Standard Length: 48" (122 cm) \*= Color Code, -0 Black and -2 Red

All dimensions are in inches. Tolerances (except noted): .xx = ±.02" (.51 mm), .xxx = ±.005" (.127 mm).

All specifications are to the latest revisions. Specifications are subject to change without notice.

Registered trademarks are the property of their respective companies. Made in USA