

Excellent Integrated System Limited

Stocking Distributor

Click to view price, real time Inventory, Delivery & Lifecycle Information:

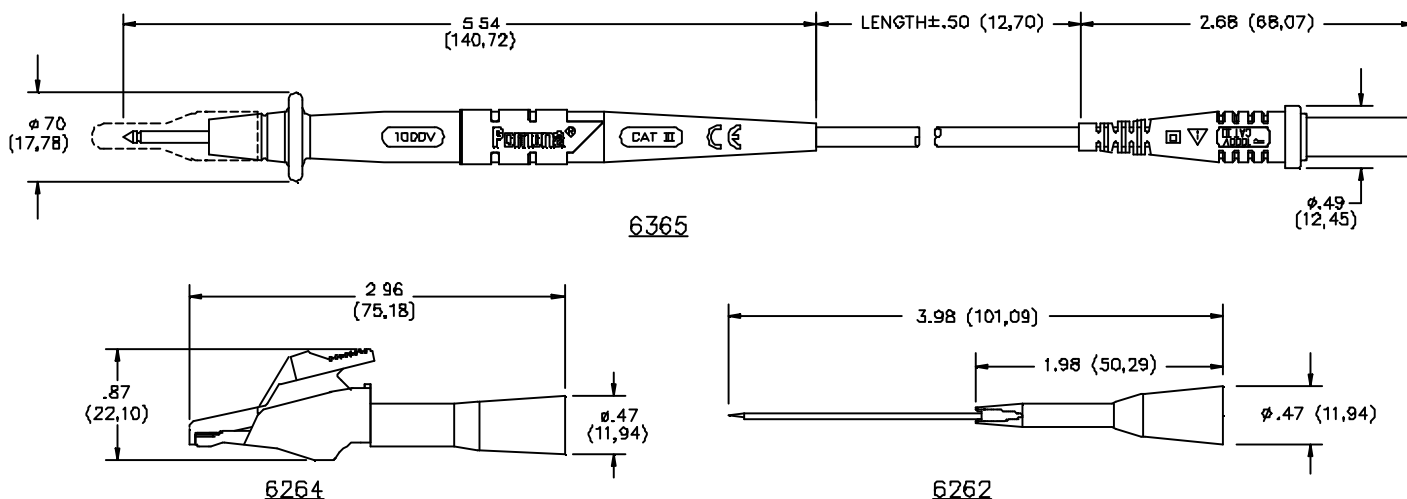
[Pomona Electronics](#)
[6344](#)

For any questions, you can email us directly:

sales@integrated-circuit.com

Pomona®

**Model 6344
Basic Electronic Test Lead Kit**



FEATURES:

- Test accessories comply with IEC 1010-2-031 requirements
- Extended slide on tip adapter fits directly over probe, allowing testing of hard to reach test points
- Compatible with most Fluke, Amprobe, H.P., Tektronic & Wavetek digital multimeters

MATERIALS:

Model **6365**: Probe Body: Outer Insulation - Santoprene® Rubber, Color: Gray, Inner Insulation – Polypropylene Fire Retardant, Color: One Black, One Red, Tip: Brass, Wire: 18 AWG, 65 x 36 Tinned Copper Strand, Silicone Insulation, Length: 48" (122cm), O.D. .144" (3,66mm)

Banana Plug: Body – Brass, Nickel Plated, Spring – Beryllium Copper, Nickel Plated, Insulation – Polypropylene, Color: One Black, One Red, **RATINGS:** IEC 1010-2-031, Category III, P2 Compliant, Operating Voltage: 1000V, Current: 10 Amperes

Model **6264**: Body–Steel, Nickel Plated, Insulation–Polypropylene fire retardant, Spring: Music Wire, **RATINGS:** IEC 1010-2-031, Category III, P2 Compliant, Operating Voltage: 300V, Current: 3 Amperes.

Model **6262**: Tip: Stainless Steel, Tip Insulation: Kynar, Body: Polypropylene fire retardant, **RATINGS:** IEC 1010-2-031, Category II, P2 Compliant, Operating Voltage: 300V, Current: 3 Amperes.

ORDERING INFORMATION: 6344 (Includes a kit of items from above)

Replacement P/N's: Model **6264**: Probe Adapter Alligator Tip, Model **6262**: Probe Adapter Extended Fine Tip, Model **6365**: Probe to Straight DMM Plug.

All dimensions are in inches. Tolerances (except noted): .xx = ±.02" (.51 mm), .xxx = ±.005" (.127 mm).

All specifications are to the latest revisions. Specifications are subject to change without notice.

Registered trademarks are the property of their respective companies. Made in USA