

## Excellent Integrated System Limited

Stocking Distributor

Click to view price, real time Inventory, Delivery & Lifecycle Information:

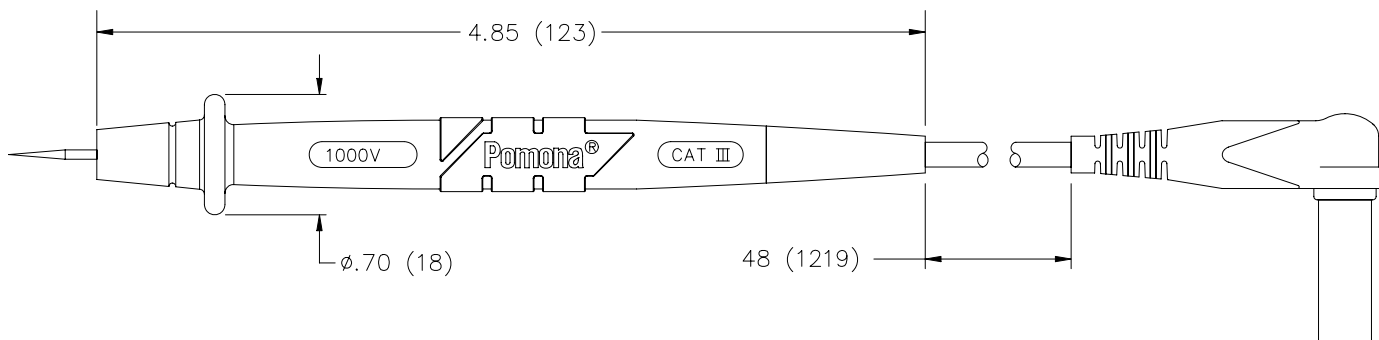
[Pomona Electronics](#)  
[6477](#)

For any questions, you can email us directly:

[sales@integrated-circuit.com](mailto:sales@integrated-circuit.com)

**Pomona**<sup>®</sup>

**Model 6477**  
**Replaceable Tip Test Probe Set**



**FEATURES:**

- Replaceable tip probe set with sharp stainless steel 0.06 inch (1.52mm) diameter tip included. (Other tips are available, see model 6475.)
- Designed for most DMM's including Fluke, Wavetek Meterman, Amprobe, and others with safety-sheath banana jack inputs
- Thermoplastic elastomer outer coat provides comfortable grip and flexible strain relief
- Probe and banana plug are molded directly onto the wire for robust pull strength
- Wire is a high strand count silicone wire for extreme flexibility and high temperature resistance
- Banana plug spring is nickel plated Beryllium Copper for long insertion life

**MATERIALS:**

Probe:

- Outer Insulation: Santoprene<sup>®</sup> rubber, color: gray
- Inner Insulation: Polypropylene, color: one black, one red
- Tip: sharp stainless steel

Wire: 18 AWG

Banana Plug: Nickel plated Brass

Spring – Nickel plated Beryllium Copper

Plug Insulation: Polypropylene, color: one black, one red

**RATINGS:**

IEC 1010-2-031, Category III 1000V

Operating Voltage: 1000 VRMS

Current: 5 Amperes

**ORDERING INFORMATION:** Model 6477

Includes a set of one black and one red test lead with two replaceable tips

All dimensions are in inches. Tolerances (except noted): .xx = ±.02" (.51 mm), .xxx = ±.005" (.127 mm).  
 All specifications are to the latest revisions. Specifications are subject to change without notice.  
 Registered trademarks are the property of their respective companies. Made in USA

**Sales: 909-469-2900 Fax: 909-629-3317**  
**Technical Assistance: 800-241-2060**

PomonaACCESS 90916 (800) 444-6785 or (909) 469-2991  
 More drawings available at www.pomonaelectronics.com