

## **Excellent Integrated System Limited**

Stocking Distributor

Click to view price, real time Inventory, Delivery & Lifecycle Information:

[Pomona Electronics](#)

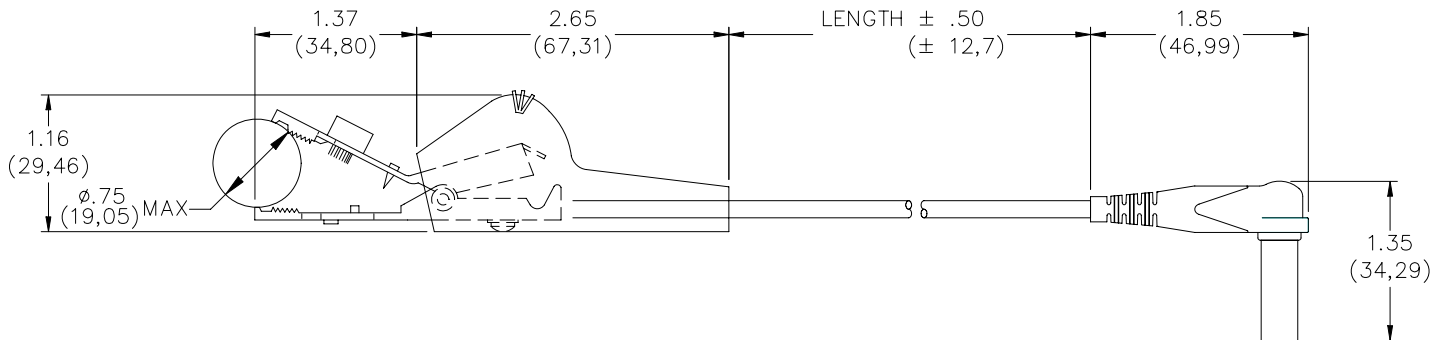
[6483-48-0](#)

For any questions, you can email us directly:

[sales@integrated-circuit.com](mailto:sales@integrated-circuit.com)

**Pomona**<sup>®</sup>

**Model 6483 Telecom  
 5 Way Alligator to Right  
 Angle Banana Plug**



**FEATURES:**

- Multi-purpose test clips allow five ways to connect to a device under test
  - U-shaped nose for blade shaped terminals
  - Notched jaw for gripping screw heads, bare wire or terminals
  - Serrated teeth for gripping threaded or wire wrapped terminals
  - Cluster of sharp needles for piercing small gauge wires (#22-28 AWG)
  - Large piercing needle for penetrating large gauge wires

**MATERIALS:**

Jaws: Non-rusting Nickel Copper Alloy  
 Boot: Vinyl  
 Wire: 18 AWG , Silicone, 0.144" outside diameter  
 Banana Plug:  
   Spring: Beryllium Copper, nickel plated  
   Body: Brass Nickel Plated  
   Insulation: Polypropylene

**RATINGS:**

Operating Voltage: Hand-held 30 VAC/60 VDC  
 Hands free operation in a controlled voltage environment: 300 VRMS  
 Current: 8 Amperes

**ORDERING INFORMATION:** Model 6483-48-\*

\*=Color; 0-Black, 2-Red, -02 set (1 Black and 1 red lead)

Standard Length = 48" (1219,0)

All dimensions are in inches. Tolerances (except noted): .xx = ±.02" (.51 mm), .xxx = ± .005" (.127 mm).

All specifications are to the latest revisions. Specifications are subject to change without notice.

Registered trademarks are the property of their respective companies. Made in USA