

## **Excellent Integrated System Limited**

Stocking Distributor

Click to view price, real time Inventory, Delivery & Lifecycle Information:

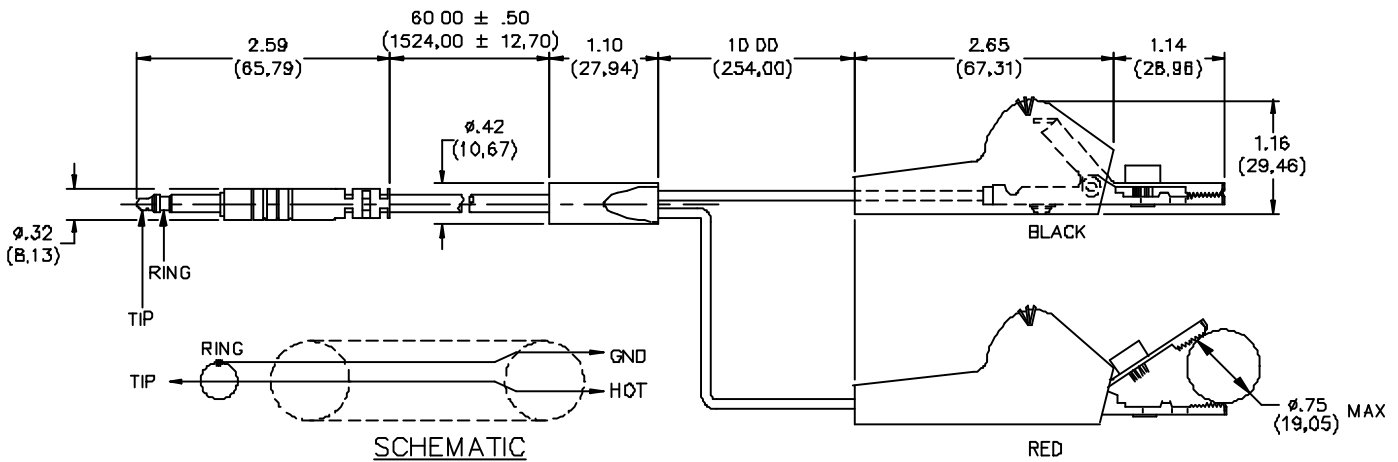
[Pomona Electronics](#)  
[6486-60](#)

For any questions, you can email us directly:

[sales@integrated-circuit.com](mailto:sales@integrated-circuit.com)

**Pomona**®

**Model 6486 Telecom  
 Bed of Nails to Bantam Plug**



**FEATURES:**

- Multi-purpose test clips allow four ways to connect to a device under test
  - U-shaped nose for blade shaped terminals
  - Notched jaw for gripping screw heads, bare wire or terminals
  - Serrated teeth for gripping threaded or wire wrapped terminals
  - Cluster of sharp needles for piercing small gauge wires (#22-28 AWG)

**MATERIALS:**

Jaws: Non-rusting Nickel Copper Alloy.  
 Boot: Vinyl  
 Wire: 20 AWG PVC  
 Cable: 2 conductor, 22 AWG, 7 x 30 tc, .180" outside diameter  
 Y Mold: PVC  
 Bantam: Miniature phone plug 3 conductor, sleeve no connection

**RATINGS:**

Operating Voltage: Hand-held 30 VAC/60 VDC  
 Hands free operation in a controlled voltage environment: 300 VRMS  
 Current: 5 Amperes

**ORDERING INFORMATION:** Model 6486-60 Standard Length = 60" (1524,0)

All dimensions are in inches. Tolerances (except noted): .xx = ±.02" (.51 mm), .xxx = ±.005" (.127 mm).  
 All specifications are to the latest revisions. Specifications are subject to change without notice.  
 Registered trademarks are the property of their respective companies. Made in USA