

## **Excellent Integrated System Limited**

Stocking Distributor

Click to view price, real time Inventory, Delivery & Lifecycle Information:

[TE Connectivity AMP Connectors](#)  
[502667-6](#)

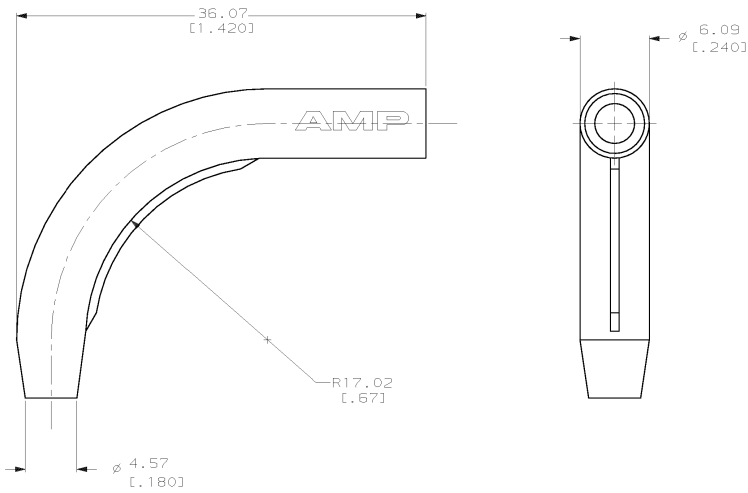
For any questions, you can email us directly:

[sales@integrated-circuit.com](mailto:sales@integrated-circuit.com)

4  
 DRAWING MADE IN THIRD ANGLE PROJECTION  
 THIS DRAWING IS UNPUBLISHED. RELEASED FOR PUBLICATION .19  
 © COPYRIGHT 19 BY AMP INCORPORATED. ALL INTERNATIONAL RIGHTS RESERVED.

LOC	DIST	#	ZONE	LTR	REVISIONS	DATE	APPD
CE	16			E	REVISED PER 0A00-0546-00	19JUL00	TA/5B

⚠ BULK PACKAGED



△	COLOR	PART NO
△	WHITE	1-502667-4
△	GREEN	1-502667-2
△	YELLOW	1-502667-0
△	RED	502667-9
△	BEIGE	502667-8
△	BLUE	502667-7
△	BLACK	502667-6

DO NOT SCALE PRINT. UNLESS SPECIFIED DIMENSIONS IN mm (INCHES) TOLERANCES ON: 2 PLC DEC ± - 3 PLC DEC ± - ANGLES # -	DR 3-16-92 L. COLLINS CHK 3-16-92 R. HILEMAN APPD 3-16-92 F. ANTONICELLI S. OWENS	AMP Incorporated Harrisburg, PA 17105-3608	
MATERIAL THERMOPLASTIC ELASTOMER	PRODUCT SPEC -	NAME STRAIN RELIEF, RIGHT ANGLE, 2.5mm BAYONET, OPTIMATE®	
FINISH -	APPLICATION SPEC -	SIZE C	CAGE CODE 00779
WEIGHT -		DRAWING NO 502667	SHEET 1 OF 1