

Excellent Integrated System Limited

Stocking Distributor

Click to view price, real time Inventory, Delivery & Lifecycle Information:

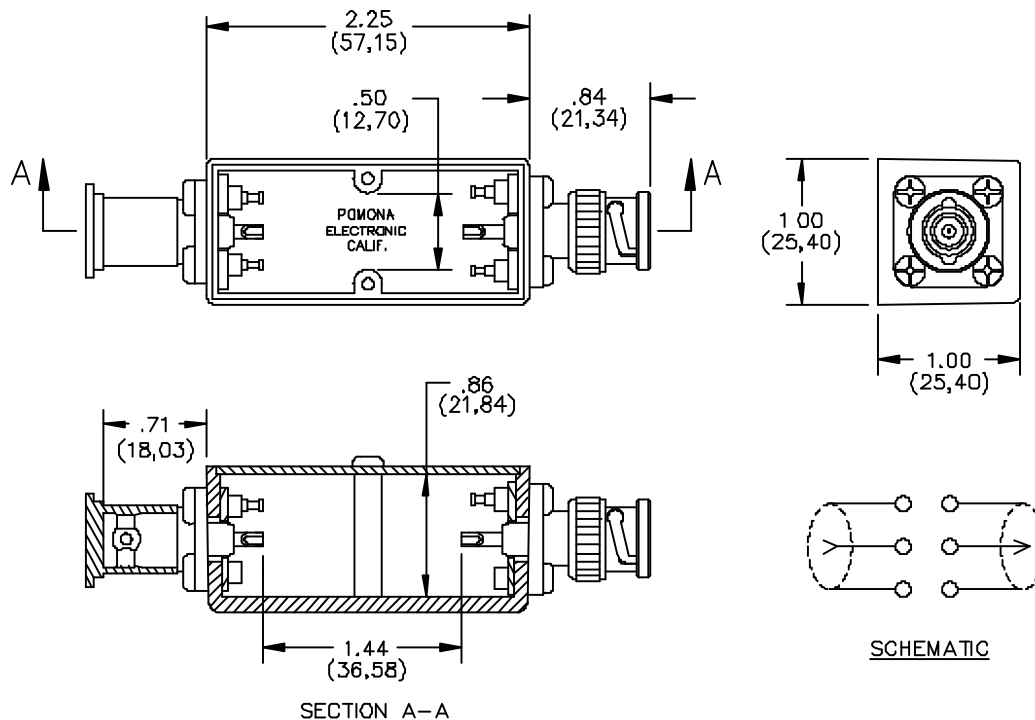
[Pomona Electronics](#)
[2099](#)

For any questions, you can email us directly:

sales@integrated-circuit.com

Pomona[®]

**Model 2099
Phenolic Box, Component Mounting
BNC Female To BNC Male**



MATERIALS:

Connectors:

- Center Contacts: Gold Plated
- Solder Turret Terminals, - 4 ea. #4-40: Steel
- Screws, 2 ea. #2-56 Pan Head self-taping: Steel
- Molded Housing: Electrical grade Phenolic
- Nut Strap: Brass

Finish: Tarnish resistant

Connectors:

- Body and Fittings: Tarnish resistant
- Center Contact: Gold plated
- Molded Housing: Color: Black
- Cover: Black
- Screws, #2-56 x (3/16") Pan Head self-taping – Clear irridite

RATINGS:

Operating Temperature: +150° C. (+302° F.) Max.

ORDERING INFORMATION: Model 2099

All dimensions are in inches and metric. All specifications are to the latest revisions. Specifications are subject to change without notice. Registered trademarks are the property of their respective companies. Made in USA

Sales: 800-490-2361 Fax: 888-403-3360
Technical Assistance: 800-241-2060

PomonaACCESS 90127 (800) 444-6785 or (425) 446-6010
More drawings available at www.pomonaelectronics.com