



Distributor of Pomona Electronics: Excellent Integrated System Limited

Datasheet of 2428 - BOX ALUM UNPAINTED 2.25"LX1.38"W

Contact us: sales@integrated-circuit.com Website: www.integrated-circuit.com

Excellent Integrated System Limited

Stocking Distributor

Click to view price, real time Inventory, Delivery & Lifecycle Information:

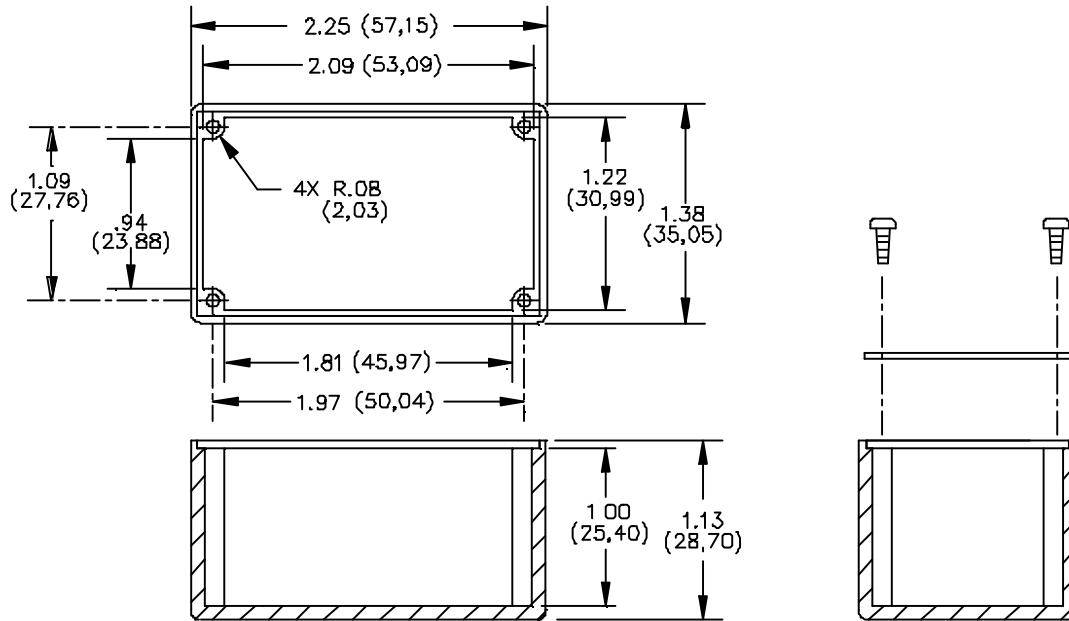
[Pomona Electronics](#)
[2428](#)

For any questions, you can email us directly:

sales@integrated-circuit.com

Pomona®

Model 2428
Size B Aluminum Box With Cover



MATERIALS:

Screws: 4 each #2-32 X 1/4" pan head self tapping, steel
 Cover: .04 (1.02) Thick aluminum alloy 1100-H14 per, clear anodized per MIL-A-8625A
 Shielded Housing: Die cast aluminum alloy A380 or A384
 Finish: None

ORDERING INFORMATION: Model 2428

All dimensions are in inches. Tolerances (except noted): .xx = ±.02" (.51 mm), .xxx = ±.005" (.127 mm).
 All specifications are to the latest revisions. Specifications are subject to change without notice.
 Registered trademarks are the property of their respective companies. Made in USA