

Excellent Integrated System Limited

Stocking Distributor

Click to view price, real time Inventory, Delivery & Lifecycle Information:

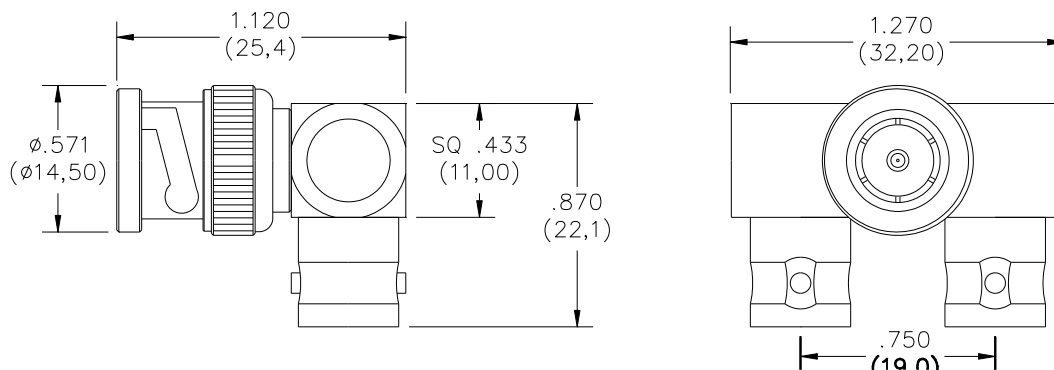
[Pomona Electronics](#)
[6701](#)

For any questions, you can email us directly:

sales@integrated-circuit.com

Pomona®

Model 6701 BNC Male to Dual BNC Female Right-Angle Adapter



Features:

- ✓ The modified “ T ” adapter maximizes space by allowing a right-angle connection of BNC cables into the body instead of the side as with conventional “ T “ adapters.
- ✓ Ideal for cross-connect panels requiring multiple BNC connections.
- ✓ Adapter is precision machined (not die-cast) from brass.

Materials:

Connector Body	Nickel plated brass
Center Contact Pin	Gold plated brass
Center Contact Socket	Gold plated phosphor bronze
Insulator	Polybutylene Terephthalate
Rubber Gasket	Silicone rubber

Ratings:

Impedance:	50 Ohms
Frequency:	0 to 4 GHz
VSWR:	1.30 max
Contact Resistance:	3 Milliohms max.
Voltage	* 500 V
Insulation Resistance:	5,000 Megohms min.
Insertions:	500
Temperature:	-40 to +85 C

* *Hands free testing* in controlled voltage environment: *For CE compliance:* not intended for hand held use at voltages above 33 Vrms / 70 Vdc.

All dimensions are in inches. Tolerances (except noted): .xx = ±.02” (.51 mm), .xxx = ± .005” (.127 mm).
 All specifications are to the latest revisions. Specifications are subject to change without notice.
 Registered trademarks are the property of their respective companies. Made in USA

Sales: 800-490-2361 Fax: 888-403-3360 Technical Assistance: 800-241-2060
 For “Where to Buy” information, visit the Pomona web site at www.pomonaelectronics.com