

## Excellent Integrated System Limited

Stocking Distributor

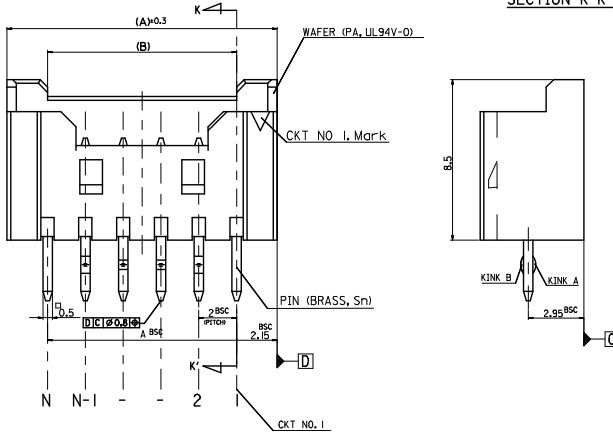
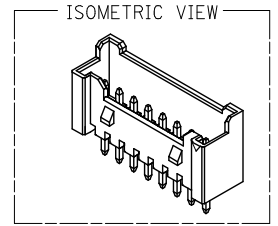
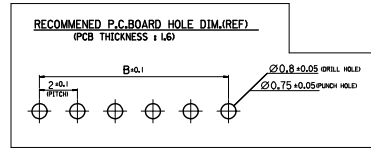
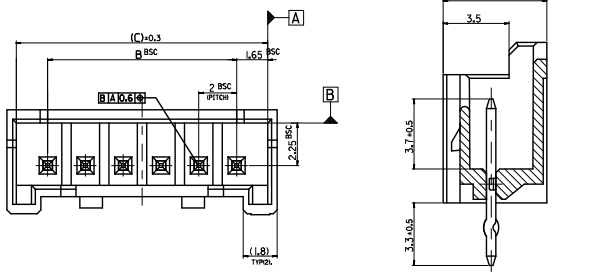
Click to view price, real time Inventory, Delivery & Lifecycle Information:

[Molex Connector Corporation](#)  
[0353620550](#)

For any questions, you can email us directly:

[sales@integrated-circuit.com](mailto:sales@integrated-circuit.com)

10 9 8 7 6 5 4 3 2 1



**LEGEND**

SD-35362-\*\*\*\*  
CKT NO. \_\_\_\_\_ COLOR \_\_\_\_\_

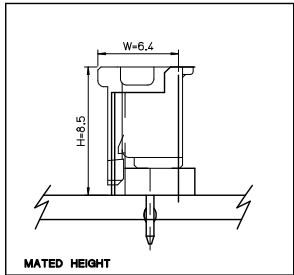
FINAL GOOD (BULK) — 5 : SELECTIVE KINK (LEAD FREE) — 1 : BLACK  
 — 6 : NONE KINK (LEAD FREE) — 2 : RED  
 SUB ASSY (TUBE) — 7 : SELECTIVE KINK (LEAD FREE) — 3 : YELLOW  
 — 8 : NONE KINK (LEAD FREE) — 4 : BLUE  
 — 5 : GREEN  
 — 6 : TUBE PACKING (Natural Color)  
 — 7 : TUBE PACKING (Red Color)  
 — 8 : TUBE PACKING (Blue Color)

**NOTES**

1. MATERIAL : UNFILLED POLYAMIDE, UL94V-0  
PIN : BRASS
2. FINISHES : PIN : TinSn 1-3µm OVERALL
3. PRODUCT SPECIFICATION : PS-35507-003
4. MATING HOUSING : 35507-\*\*\*0\*
5. MATING TERMINAL : 50212-8000
6. KINK

31.3	28	32.3	3536215**	35362-15**	I5
29.3	26	30.3	3536214**	35362-14**	I4
27.3	24	28.3	3536213**	35362-13**	I3
25.3	22	26.3	3536212**	35362-12**	I2
23.3	20	24.3	3536211**	35362-11**	I1
21.3	18	22.3	3536210**	35362-10**	I0
19.3	16	20.3	3536209**	35362-09**	9
17.3	14	18.3	3536208**	35362-08**	8
15.3	12	16.3	3536207**	35362-07**	7
13.3	10	14.3	3536206**	35362-06**	6
11.3	8	12.3	3536205**	35362-05**	5
9.3	6	10.3	3536204**	35362-04**	4

CKT NO	1	2	3	4	5	N-2	N-1	N
6 CKT OVER	-	A	B	-	-	B	A	-
5 CKT	A	B	-	B	A			
4 CKT	A	B	B	A				



**LEAD FREE**

30 over	±0.3
10 over 30 under	±0.25
10 under	±0.2
ANGLE	±3°
GENERAL TOLERANCE	

REVISED	EC. NO. KOR2015-0019
DRAWN BY	TDRW/NTK/M01
CHECKED BY	CHKR/CKSK/M
APPR. YSK/MDZ	2014/08/26
2014/09/03	

QUALITY SYMBOLS

▽=0

▽=0

▽=0

GENERAL TOLERANCES (UNLESS SPECIFIED)

	mm	INCH
4 PLACES	±---	±---
3 PLACES	±---	±---
2 PLACES	±---	±---
1 PLACE	±---	±---
0 PLACE	±	±

ANGULAR ±---°

DRAFT WHERE APPLICABLE MUST REMAIN WITHIN DIMENSIONS

DIMENSION STYLE: MM ONLY

SCALE: 5:1

DESIGN UNITS: METRIC

THIRD ANGLE PROJECTION

2.0 W/B WAFER ASS'Y -LEAD FREE-

**molex**

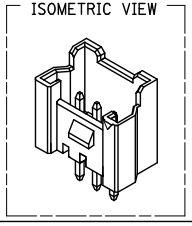
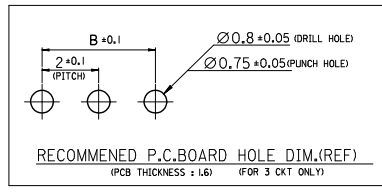
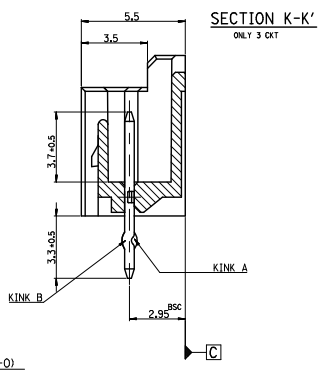
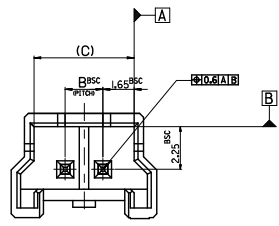
DOCUMENT NO. SD-35362-002

SHEET NO. 1 OF 1

9 8 7 6 5 4 3 2 1

10 9 8 7 6 5 4 3 2 1

FOR 2 & 3 CKTS.



**LEGEND**

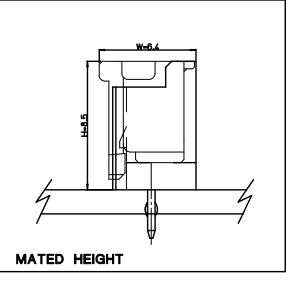
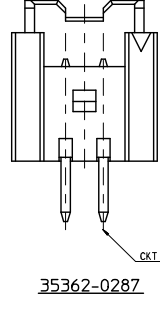
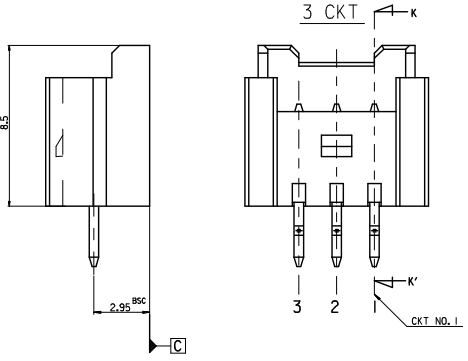
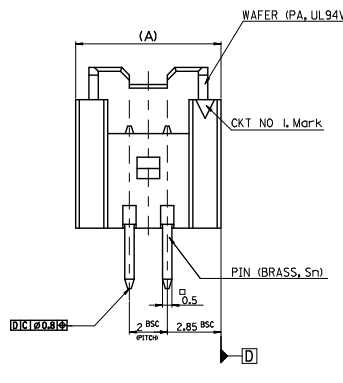
SD-35362-\*\*\*  
CKT NO.      COLOR

0	NATURAL
1	BLACK
2	RED
3	YELLOW
4	BLUE
5	GREEN
6	TUBE PACKING (Natural Color)
7	TUBE PACKING (Red Color)
8	TUBE PACKING (Blue Color)

FINAL GOOD (BULK)    5 : SELECTIVE KINK (LEAD FREE)  
                                  6 : NONE KINK (LEAD FREE)

SUB ASSY (TUBE)    7 : SELECTIVE KINK (LEAD FREE)  
                                  8 : NONE KINK (LEAD FREE)

- NOTES**
- MATERIAL : UNFILLED POLYAMIDE, UL94V-0  
PIN : BRASS
  - FINISHES : PIN : TIN(Sn) 1-34um OVERALL
  - PRODUCT SPECIFICATION : PS-35507-003
  - MATING HOUSING : 35507-\*\*\*0  
MATING TERMINAL : 50212-8000
  - KINK
- | CKT NO | 1 | 2 | 3 |
|--------|---|---|---|
| 2 CKT  |   |   |   |
| 3 CKT  | A | B | A |
- | CKT NO      | 1 | 2 |
|-------------|---|---|
| PRODUCT NO. | A | B |
| 35362-0287  | A | B |



7.3	4	9.7	3536203**	35362-03**	3
5.3	2	7.7	3536202**	35362-02**	2
(C)	B	(A)	MATERIAL NO.	ENG. NO.	CKT

**LEAD FREE**

30 over	±0.3
10 over 30 under	±0.25
10 under	±0.2
ANGLE	±3°
GENERAL TOLERANCE	

**REVISIONS**

REV	DESCRIPTION	DATE
1	DRW:KIM01	2011/08/25
2	CHK:KSKIM	2011/08/26
3	APP:TSKIM02	2011/09/03

**QUALITY SYMBOLS**

√=0

√=0

√=0

√=0

ANGULAR ±---°

DRAFT WHERE APPLICABLE MUST REMAIN WITHIN DIMENSIONS

GENERAL TOLERANCES (UNLESS SPECIFIED)

	mm	INCH
4 PLACES	±---	±---
3 PLACES	±---	±---
2 PLACES	±---	±---
1 PLACE	±---	±---
0 PLACE	±	±

DIMENSION STYLE: MM ONLY

SCALE: 5:1

DESIGN UNITS: METRIC

THIRD ANGLE PROJECTION

DRAWN BY: YSOOKIM    DATE: 1996/09/11

CHECKED BY: JKOH    DATE: 1996/09/11

APPROVED BY:    DATE:

MATERIAL NO.    SEE TABLE

DOCUMENT NO.    SD-35362-002

SHEET NO.    1 OF 1

**molex**

2.0 W/B WAFER ASSY  
-LEAD FREE-

THIS DRAWING CONTAINS INFORMATION THAT IS PROPRIETARY TO MOLEX INCORPORATED AND SHOULD NOT BE USED WITHOUT WRITTEN PERMISSION

10 9 8 7 6 5 4 3 2 1