

Excellent Integrated System Limited

Stocking Distributor

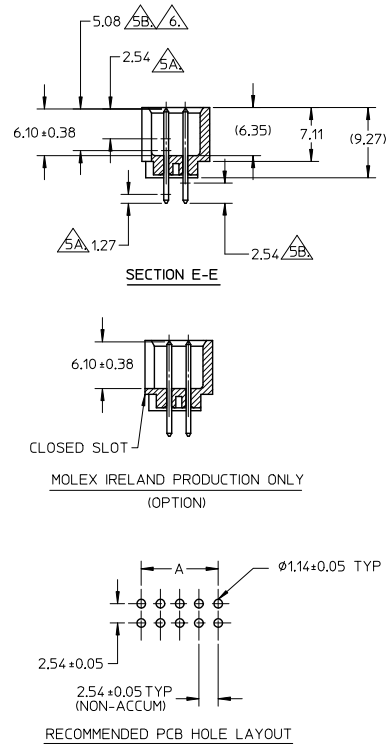
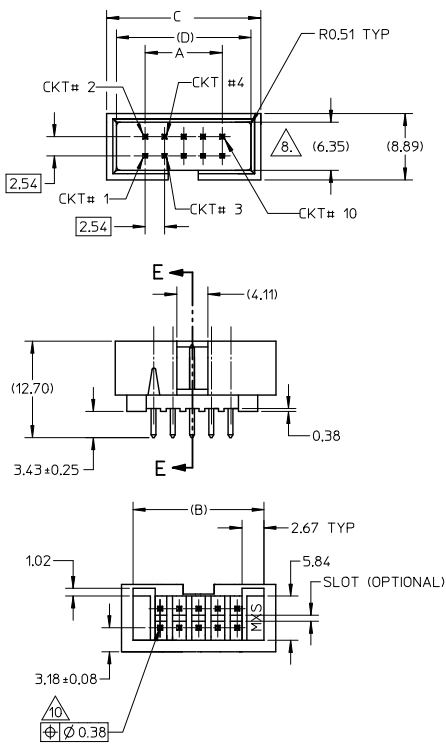
Click to view price, real time Inventory, Delivery & Lifecycle Information:

[Molex Connector Corporation](#)
[70246-1201](#)

For any questions, you can email us directly:

sales@integrated-circuit.com

10 9 8 7 6 5 4 3 2 1



- NOTES:
- PIN PUSHOUT FORCE (.9072KG)/2LBS MIN.
 - PIN SOLDERABILITY PER MOLEX SPEC. ES-152.
 - PRODUCT SPEC: PS-70246-100 APPLIES.
 - WAFER TO BE FLAT WITHIN .003 MM/MM.
 - DIMENSIONS FOR PLATING LOCATION:
 - △5A MEASURE POINT FOR THICKNESS
 - △5B MINIMUM COVERAGE
 - △6 GOLD END OF PIN UNLESS OVERALL PLATED.
 - FINISH:
 - 571 : 15 MICRO INCHES MIN GOLD PLATE ON CONTACT AND 75 MICRO INCHES MIN TIN PLATE ON SOLDERTAIL BOTH OVER 50 MICRO INCHES MIN NICKEL OVERALL.
 - 574 : 30 MICRO INCHES MIN GOLD PLATE ON CONTACT AND 75 MICRO INCHES MIN TIN PLATE ON SOLDERTAIL BOTH OVER 50 MICRO INCHES MIN NICKEL OVERALL.
 - 544 : 5 MICRO INCHES MIN GOLD PLATE ON CONTACT AND 75 MICRO INCHES MIN TIN PLATE ON SOLDERTAIL BOTH OVER 50 MICRO INCHES MIN NICKEL OVERALL.
 - 573 : 20 MICRO INCHES MIN GOLD PLATE ON CONTACT AND 100 MICRO INCHES MIN TIN PLATE ON SOLDERTAIL BOTH OVER 50 MICRO INCHES MIN NICKEL OVERALL.
 - DIM AT THE CENTRE OF THE SHROUDED WALL SHALL BE 5.91MM MIN. THIS SPEC IS VALID FOR ALL CKT SIZE.
 - MATERIAL:
 - HSG: GLASS FILLED PBT, UL94V-0, COLOUR BLACK
 - PIN: 0.64MM SQ. PIN PHOSPHOR BRONZE.
 - SOLDERTAIL POSITIONAL TOLERANCE SHALL BE GAUGED.

UPDATE NOTE #3. EC NO: S2013-0029 DRAWN/ISSUE: 2012/07/20 CHKD:SKANG 2012/08/06 APPR:HLONG 2012/10/08	QUALITY SYMBOLS	GENERAL TOLERANCES (UNLESS SPECIFIED)		DIMENSION STYLE	SCALE	DESIGN UNITS	THIRD ANGLE PROJECTION
	▽=0	mm	INCH	MM ONLY	NTS	METRIC	
	▽=0	4 PLACES ± --- ± ---	3 PLACES ± --- ± ---	DRAWN BY	DATE	TITLE	
		2 PLACES ± 0.20 ± ---	1 PLACE ± --- ± ---	CHECKED BY	DATE		
	ANGULAR ± 3 °	DRAFT WHERE APPLICABLE MUST REMAIN WITHIN DIMENSIONS		APPROVED BY	DATE	MATERIAL NO.	DOCUMENT NO.
J6	REV	SEE TABLE		ALANB	1987/09/18	SDA-70246-**20-25_39-41	SHEET NO. 1 OF 2
				THIS DRAWING CONTAINS INFORMATION THAT IS PROPRIETARY TO MOLEX INCORPORATED AND SHOULD NOT BE USED WITHOUT WRITTEN PERMISSION			

9 8 7 6 5 4 3 2 1

	10	9		8		7	6	5	4	3	2	1
	PART NUMBER	CKT SIZE	VOID CKT	DIM A	DIM B	DIM C	DIM D	VOID CKT, ONLY APPLY TO PLATING CODE				
F	70246-08**	08	-	7.62	14.73	17.78	15.24					
F	70246-10**	10	-	10.16	17.27	20.32	17.78					
F	70246-12**	12	-	12.70	19.81	22.86	20.32					
F	70246-14**	14	-	15.24	22.35	25.40	22.86					
F	70246-16**	16	-	17.78	24.89	27.94	25.40					
F	70246-20**	20	-	22.86	29.97	33.02	30.48					
F	70246-24**	24	-	27.94	35.05	38.10	35.56					
F	70246-26**	26	-	30.48	37.59	40.64	38.10					
E	70246-30**	30	-	35.56	42.67	45.72	43.18					
E	70246-34**	34	-	40.64	47.75	50.80	48.26					
E	70246-40**	40	-	48.26	55.37	58.42	55.88					
E	70246-44**	44	-	53.34	60.45	63.50	60.96					
E	70246-50**	50	-	60.96	68.07	71.12	68.58					
D	70246-1003	10	10	10.16	17.27	20.32	17.78	571				

LEGEND:

70246 - * * * * *

CKT SIZE
PLATING OPT.

SEE TABLE FOR DETAIL

△	PART NUMBER	PLATING OPTION
	70246-***01	571
	70246-***02	574
	70246-***04	544

UPDATE NOTE #3. EC NO: S2013-0029 DRAWN BY: JENNIFER CHKD: SKANG APPR: HLONG J6	2012/07/20 2012/08/06 2012/10/08	QUALITY SYMBOLS	GENERAL TOLERANCES (UNLESS SPECIFIED)	DIMENSION STYLE	SCALE	DESIGN UNITS	THIRD ANGLE PROJECTION	
		▽=0	mm INCH	MM ONLY	NTS	METRIC		
		▽=0	4 PLACES ± --- ± ---	DRAWN BY DATE	TITLE	C-GRID, SHROUDED HEADER (SLOTTED W/O STANDOFFS)		
			3 PLACES ± --- ± ---	JENNIFER 1987/09/18	CHECKED BY DATE	MOLEX INCORPORATED		
	2 PLACES ± 0.20 ± ---	2 PLACES ± --- ± ---	RWONG 1987/09/18	APPROVED BY DATE	SDA-70246-***20-25_39-41			
	1 PLACE ± --- ± ---	1 PLACE ± --- ± ---	ALANB 1987/09/18	MATERIAL NO.	DOCUMENT NO.	SHEET NO.		
DRAFT WHERE APPLICABLE MUST REMAIN WITHIN DIMENSIONS			SEE TABLE	THIS DRAWING CONTAINS INFORMATION THAT IS PROPRIETARY TO MOLEX INCORPORATED AND SHOULD NOT BE USED WITHOUT WRITTEN PERMISSION				