

## Excellent Integrated System Limited

Stocking Distributor

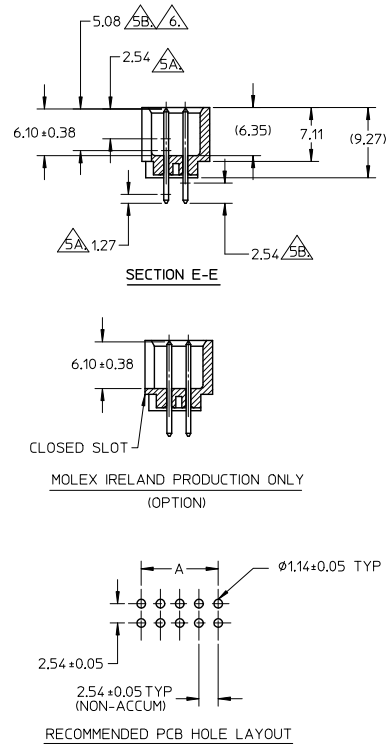
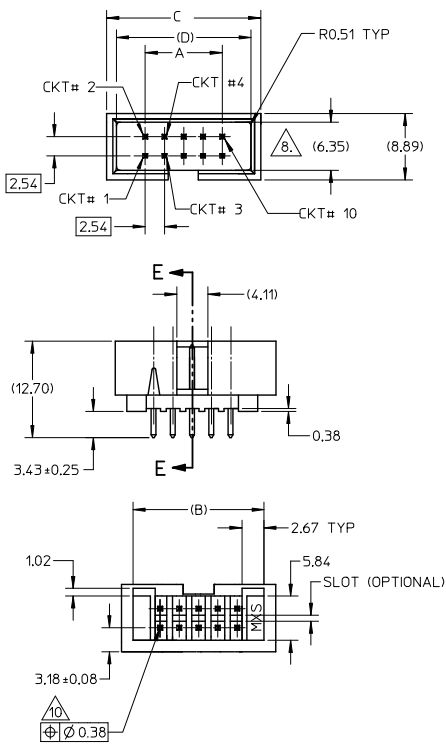
Click to view price, real time Inventory, Delivery & Lifecycle Information:

[Molex Connector Corporation](#)  
[0702461601](#)

For any questions, you can email us directly:

[sales@integrated-circuit.com](mailto:sales@integrated-circuit.com)

10 9 8 7 6 5 4 3 2 1



- NOTES:**
- PIN PUSHOUT FORCE (.9072KG)/2LBS MIN.
  - PIN SOLDERABILITY PER MOLEX SPEC, ES-152.
  - PRODUCT SPEC: PS-70246-100 APPLIES.
  - WAFER TO BE FLAT WITHIN .003 MM/MM.
  - DIMENSIONS FOR PLATING LOCATION:
    - 5A MEASURE POINT FOR THICKNESS
    - 5B MINIMUM COVERAGE
    - 6 GOLD END OF PIN UNLESS OVERALL PLATED.
  - FINISH:
    - 571 : 15 MICRO INCHES MIN GOLD PLATE ON CONTACT AND 75 MICRO INCHES MIN TIN PLATE ON SOLDER TAIL BOTH OVER 50 MICRO INCHES MIN NICKEL OVERALL.
    - 574 : 30 MICRO INCHES MIN GOLD PLATE ON CONTACT AND 75 MICRO INCHES MIN TIN PLATE ON SOLDER TAIL BOTH OVER 50 MICRO INCHES MIN NICKEL OVERALL.
    - 544 : 5 MICRO INCHES MIN GOLD PLATE ON CONTACT AND 75 MICRO INCHES MIN TIN PLATE ON SOLDER TAIL BOTH OVER 50 MICRO INCHES MIN NICKEL OVERALL.
    - 573 : 20 MICRO INCHES MIN GOLD PLATE ON CONTACT AND 100 MICRO INCHES MIN TIN PLATE ON SOLDER TAIL BOTH OVER 50 MICRO INCHES MIN NICKEL OVERALL.
  - DIM AT THE CENTRE OF THE SHROUDED WALL SHALL BE 5.91MM MIN. THIS SPEC IS VALID FOR ALL CKT SIZE.
  - MATERIAL:
    - HSG: GLASS FILLED PBT, UL94V-0, COLOUR BLACK
    - PIN: 0.64MM SQ. PIN PHOSPHOR BRONZE.
  - SOLDER TAIL POSITIONAL TOLERANCE SHALL BE GAUGED.

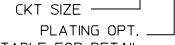
UPDATE NOTE #3. EC NO: S2013-0029 DRAWN BY: CHYK-SKANG APPR: HLONG 2012/07/20 2012/08/06 2012/10/08	QUALITY SYMBOLS	GENERAL TOLERANCES (UNLESS SPECIFIED)	DIMENSION STYLE	SCALE	DESIGN UNITS	THIRD ANGLE PROJECTION
	▽=0	mm INCH	MM ONLY	NTS	METRIC	
	▽=0	4 PLACES ± --- ± ---	DRAWN BY DATE			
		3 PLACES ± --- ± ---	JENNIFER 1987/09/18	TITLE		
	2 PLACES ± 0.20 ± ---	CHECKED BY DATE	C-GRID, SHROUDED HEADER (SLOTTED W/O STANDOFFS)			
	1 PLACE ± --- ± ---	RWONG 1987/09/18	MOLEX INCORPORATED			
	ANGULAR ± 3 °	APPROVED BY DATE	MATERIAL NO. DOCUMENT NO. SHEET NO.			
		ALANB 1987/09/18	SEE TABLE	SDA-70246-**20-25_39-41	1 OF 2	
			THIS DRAWING CONTAINS INFORMATION THAT IS PROPRIETARY TO MOLEX INCORPORATED AND SHOULD NOT BE USED WITHOUT WRITTEN PERMISSION			

9 8 7 6 5 4 3 2 1

10	9		8		7		6		5		4		3		2		1	
PART NUMBER	CKT SIZE	VOID CKT	DIM A	DIM B	DIM C	DIM D	VOID CKT, ONLY APPLY TO PLATING CODE											
70246-08**	08	-	7.62	14.73	17.78	15.24	-											
70246-10**	10	-	10.16	17.27	20.32	17.78	-											
70246-12**	12	-	12.70	19.81	22.86	20.32	-											
70246-14**	14	-	15.24	22.35	25.40	22.86	-											
70246-16**	16	-	17.78	24.89	27.94	25.40	-											
70246-20**	20	-	22.86	29.97	33.02	30.48	-											
70246-24**	24	-	27.94	35.05	38.10	35.56	-											
70246-26**	26	-	30.48	37.59	40.64	38.10	-											
70246-30**	30	-	35.56	42.67	45.72	43.18	-											
70246-34**	34	-	40.64	47.75	50.80	48.26	-											
70246-40**	40	-	48.26	55.37	58.42	55.88	-											
70246-44**	44	-	53.34	60.45	63.50	60.96	-											
70246-50**	50	-	60.96	68.07	71.12	68.58	-											
70246-1003	10	10	10.16	17.27	20.32	17.78	571											

LEGEND:

70246 - \* \* \* \* \*



SEE TABLE FOR DETAIL

△	PART NUMBER	PLATING OPTION
	70246-***01	571
	70246-***02	574
	70246-***04	544

D																		
C																		
B																		

UPDATE NOTE #3. EC NO: S2013-0029 DRAWN BY: DRWNAITSE CHKD: SKANG APPR: HLONG J6	2012/07/20 2012/08/06 2012/10/08	QUALITY SYMBOLS ▽=0 ▽=0	GENERAL TOLERANCES (UNLESS SPECIFIED)		DIMENSION STYLE MM ONLY		SCALE	DESIGN UNITS	THIRD ANGLE PROJECTION	
				mm	INCH	NTS	METRIC			
			4 PLACES	± ---	± ---	DRAWN BY	DATE	TITLE		
			3 PLACES	± ---	± ---	JENNIFER	1987/09/18	C-GRID, SHROUDED HEADER (SLOTTED W/O STANDOFFS)		
2 PLACES	± 0.20	± ---	CHECKED BY	DATE	MATERIAL NO.		DOCUMENT NO.	SHEET NO.		
1 PLACE	± ---	± ---	RWONG	1987/09/18	SEE TABLE		SDA-70246-***20-25_39-41	2 OF 2		
ANGULAR ± 3 °			APPROVED BY	DATE	THIS DRAWING CONTAINS INFORMATION THAT IS PROPRIETARY TO MOLEX INCORPORATED AND SHOULD NOT BE USED WITHOUT WRITTEN PERMISSION					
DRAFT WHERE APPLICABLE MUST REMAIN WITHIN DIMENSIONS			ALANB	1987/09/18						

10	9		8		7		6		5		4		3		2		1	
----	---	--	---	--	---	--	---	--	---	--	---	--	---	--	---	--	---	--