

Excellent Integrated System Limited

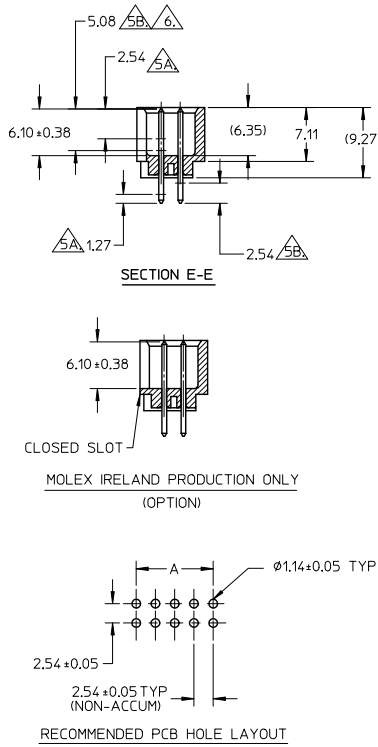
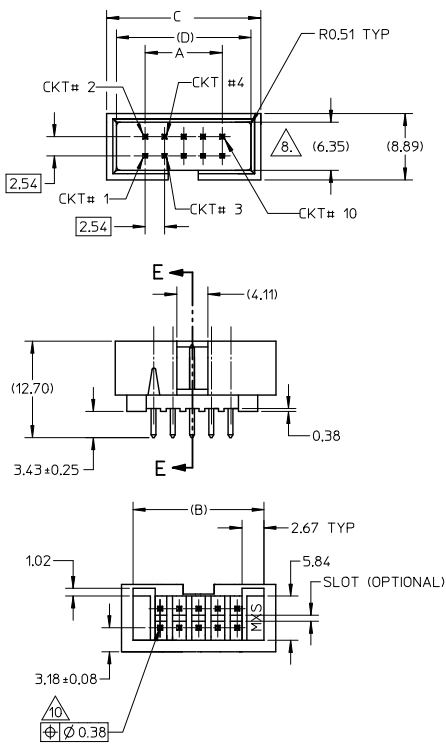
Stocking Distributor

Click to view price, real time Inventory, Delivery & Lifecycle Information:

[Molex Connector Corporation](#)
[70246-5002](#)

For any questions, you can email us directly:
sales@integrated-circuit.com

10 9 8 7 6 5 4 3 2 1



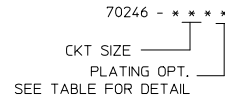
- NOTES:**
- PIN PUSHOUT FORCE (.9072KG)/2LBS MIN.
 - PIN SOLDERABILITY PER MOLEX SPEC. ES-152.
 - PRODUCT SPEC: PS-70246-100 APPLIES.
 - WAFER TO BE FLAT WITHIN .003 MM/MM.
 - DIMENSIONS FOR PLATING LOCATION:
 - 5A MEASURE POINT FOR THICKNESS
 - 5B MINIMUM COVERAGE
 - 6 GOLD END OF PIN UNLESS OVERALL PLATED.
 - FINISH:
 - 571 : 15 MICRO INCHES MIN GOLD PLATE ON CONTACT AND 75 MICRO INCHES MIN TIN PLATE ON SOLDERTAIL BOTH OVER 50 MICRO INCHES MIN NICKEL OVERALL.
 - 574 : 30 MICRO INCHES MIN GOLD PLATE ON CONTACT AND 75 MICRO INCHES MIN TIN PLATE ON SOLDERTAIL BOTH OVER 50 MICRO INCHES MIN NICKEL OVERALL.
 - 544 : 5 MICRO INCHES MIN GOLD PLATE ON CONTACT AND 75 MICRO INCHES MIN TIN PLATE ON SOLDERTAIL BOTH OVER 50 MICRO INCHES MIN NICKEL OVERALL.
 - 573 : 20 MICRO INCHES MIN GOLD PLATE ON CONTACT AND 100 MICRO INCHES MIN TIN PLATE ON SOLDERTAIL BOTH OVER 50 MICRO INCHES MIN NICKEL OVERALL.
 - DIM AT THE CENTRE OF THE SHROUDED WALL SHALL BE 5.91MM MIN. THIS SPEC IS VALID FOR ALL CKT SIZE.
 - MATERIAL:
 - HSG: GLASS FILLED PBT, UL94V-0, COLOUR BLACK
 - PIN: 0.64MM SQ. PIN PHOSPHOR BRONZE.
 - SOLDERTAIL POSITIONAL TOLERANCE SHALL BE GAUGED.

UPDATE NOTE #3. EC NO: S2013-0029 DRAWN BY: CHYK-SKANG APPR: HLONG 2012/07/20 2012/08/06 2012/10/08	QUALITY SYMBOLS	GENERAL TOLERANCES (UNLESS SPECIFIED)		DIMENSION STYLE		SCALE	DESIGN UNITS	THIRD ANGLE PROJECTION	
	▽=0	mm	INCH	MM ONLY		NTS	METRIC		
	▽=0	4 PLACES ± --- ± ---	3 PLACES ± --- ± ---	DRAWN BY	DATE	TITLE			
		2 PLACES ± 0.20 ± ---	1 PLACE ± --- ± ---	CHECKED BY	DATE	C-GRID, SHROUDED HEADER (SLOTTED W/O STANDOFFS)			
	ANGULAR ± 3 °	DRAFT WHERE APPLICABLE MUST REMAIN WITHIN DIMENSIONS		APPROVED BY	DATE	MOLEX INCORPORATED			
J6	REV	MATERIAL NO. SEE TABLE		ALANB	1987/09/18	DOCUMENT NO. SDA-70246-**20-25_39-41		SHEET NO. 1 OF 2	
				THIS DRAWING CONTAINS INFORMATION THAT IS PROPRIETARY TO MOLEX INCORPORATED AND SHOULD NOT BE USED WITHOUT WRITTEN PERMISSION					

9 8 7 6 5 4 3 2 1

10		9		8		7		6		5		4		3		2		1	
PART NUMBER	CKT SIZE	VOID CKT	DIM A	DIM B	DIM C	DIM D	VOID CKT, ONLY APPLY TO PLATING CODE												
70246-08**	08	-	7.62	14.73	17.78	15.24													
70246-10**	10	-	10.16	17.27	20.32	17.78													
70246-12**	12	-	12.70	19.81	22.86	20.32													
70246-14**	14	-	15.24	22.35	25.40	22.86													
70246-16**	16	-	17.78	24.89	27.94	25.40													
70246-20**	20	-	22.86	29.97	33.02	30.48													
70246-24**	24	-	27.94	35.05	38.10	35.56													
70246-26**	26	-	30.48	37.59	40.64	38.10													
70246-30**	30	-	35.56	42.67	45.72	43.18													
70246-34**	34	-	40.64	47.75	50.80	48.26													
70246-40**	40	-	48.26	55.37	58.42	55.88													
70246-44**	44	-	53.34	60.45	63.50	60.96													
70246-50**	50	-	60.96	68.07	71.12	68.58													
70246-1003	10	10	10.16	17.27	20.32	17.78	571												

LEGEND:



△ PART NUMBER	PLATING OPTION
70246-***01	571
70246-***02	574
70246-***04	544

10 9 8 7 6 5 4 3 2 1

UPDATE NOTE #3. EC NO: S2013-0029 DRAWN BY: DRWNAITSE CHKD: SKANG APPR: HLONG DATE: 2012/07/20 DATE: 2012/08/06 DATE: 2012/10/08	QUALITY SYMBOLS ▽=0 ▽=0	GENERAL TOLERANCES (UNLESS SPECIFIED)		DIMENSION STYLE MM ONLY		SCALE NTS	DESIGN UNITS METRIC	THIRD ANGLE PROJECTION																			
		<table border="1"> <thead> <tr> <th></th> <th>mm</th> <th>INCH</th> </tr> </thead> <tbody> <tr><td>4 PLACES</td><td>± .---</td><td>± .---</td></tr> <tr><td>3 PLACES</td><td>± .---</td><td>± .---</td></tr> <tr><td>2 PLACES</td><td>± 0.20</td><td>± .---</td></tr> <tr><td>1 PLACE</td><td>± .---</td><td>± .---</td></tr> <tr><td colspan="3">ANGULAR ± 3 °</td></tr> </tbody> </table>			mm	INCH	4 PLACES	± .---	± .---	3 PLACES	± .---	± .---	2 PLACES	± 0.20	± .---	1 PLACE	± .---	± .---	ANGULAR ± 3 °			DRAWN BY: JENNIFER DATE: 1987/09/18		TITLE: C-GRID, SHROUDED HEADER (SLOTTED W/O STANDOFFS)			
			mm	INCH																							
4 PLACES	± .---	± .---																									
3 PLACES	± .---	± .---																									
2 PLACES	± 0.20	± .---																									
1 PLACE	± .---	± .---																									
ANGULAR ± 3 °																											
DRAFT WHERE APPLICABLE MUST REMAIN WITHIN DIMENSIONS		CHECKED BY: RWONG DATE: 1987/09/18		APPROVED BY: ALANB DATE: 1987/09/18		MOLEX INCORPORATED																					
MATERIAL NO. SEE TABLE		INCORPORATED AND SHOULD NOT BE USED WITHOUT WRITTEN PERMISSION		DOCUMENT NO. SDA-70246-***20-25_39-41		SHEET NO. 2 OF 2																					

ib_frame_A3_P_AM_T
Rev. E 2006/04/15

9 8 7 6 5 4 3 2 1