

Excellent Integrated System Limited

Stocking Distributor

Click to view price, real time Inventory, Delivery & Lifecycle Information:

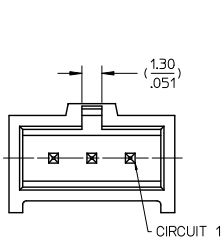
[Molex Connector Corporation](#)
[90136-2112](#)

For any questions, you can email us directly:

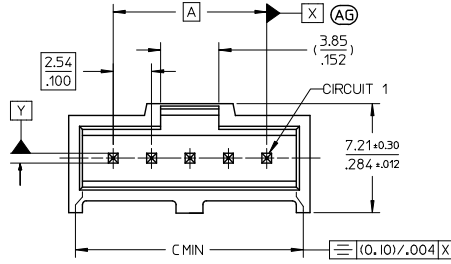
sales@integrated-circuit.com

10 9 8 7 6 5 4 3 2 1

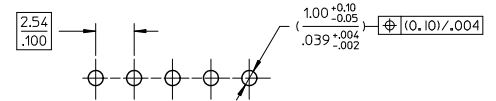
THROUGH HOLE VERSION (STRAIGHT ASSEMBLY)



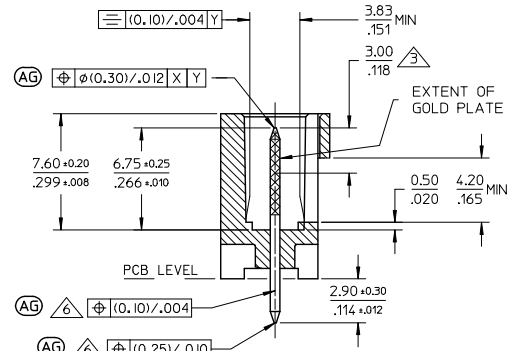
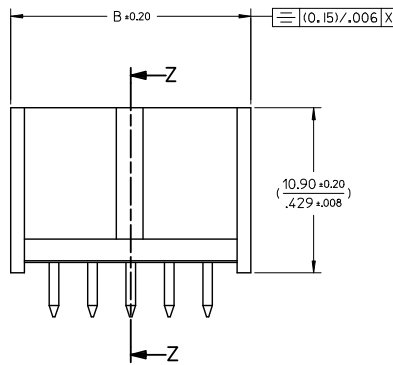
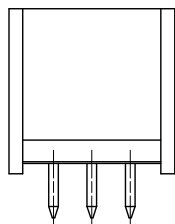
1 TO 3 CIRCUITS



4 TO 32 CIRCUITS



RECOMMENDED PCB HOLE PATTERN



SECTION Z-Z

NOTES :

1. MATERIALS :

- PIN : (0.650) / .0255 SQ. BRASS WIRE.
- HOUSING : 15% GLASS FILLED POLYESTER
- UL 94V-0 COLOR BLACK

2. FOR PLATING VERSIONS, SEE SHEET 2.

3. MEASUREMENT POINT FOR MINIMUM PLATING THICKNESS.

4. PRODUCT SPEC: PS-99020-0001

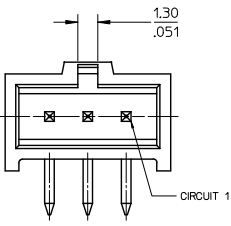
5. RECOMMENDED PCB THICKNESS 1.6mm

(AG) 6. SOLDER TAIL TO BE GAUGED.

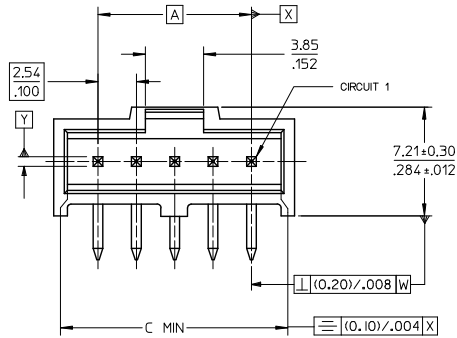
UPDATE DRAWING EC NO: S2016-0416 DRWNG:GQH CHKD:ENG APPR:KHLIM 2015/10/30 2015/11/04 2015/11/05	QUALITY SYMBOLS √=0 ∇=0 ∇=0	GENERAL TOLERANCES (UNLESS SPECIFIED)		DIMENSION STYLE		SCALE	DESIGN UNITS	THIRD ANGLE PROJECTION
		mm	INCH	MM/IN	NTS	METRIC		
		4 PLACES ±---	±---	DRAWN BY	DATE	TITLE		
		3 PLACES ±---	±.004	KS	1987/10/30	C-GRID III SINGLE ROW STRAIGHT SHROUDED HEADER		
2 PLACES ±0.10	±---	CHECKED BY	DATE					
1 PLACE ±---	±---	BENRIGHT	2002/08/15					
0 PLACE ±	±	APPROVED BY	DATE					
		MLONG	2011/04/15					
ANGULAR ±1/2°		MATERIAL NO.	DOCUMENT NO.					
DRAFT WHERE APPLICABLE MUST REMAIN WITHIN DIMENSIONS		SEE TABLE	SDA-90136					
		SIZE	THIS DRAWING CONTAINS INFORMATION THAT IS PROPRIETARY TO MOLEX INCORPORATED AND SHOULD NOT BE USED WITHOUT WRITTEN PERMISSION		SHEET NO. 1 OF 3			

9 8 7 6 5 4 3 2 1

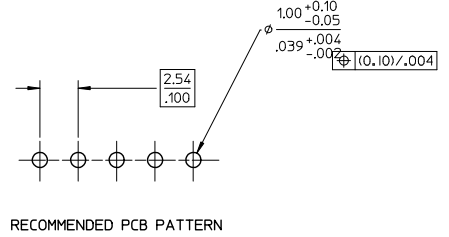
RIGHT ANGLE VERSION



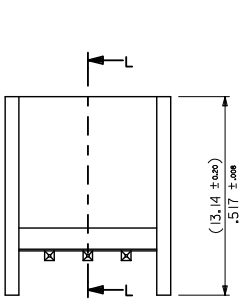
1 TO 3 CIRCUITS



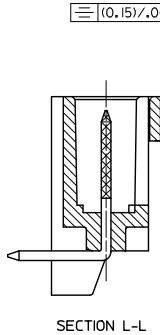
4 TO 32 CIRCUITS



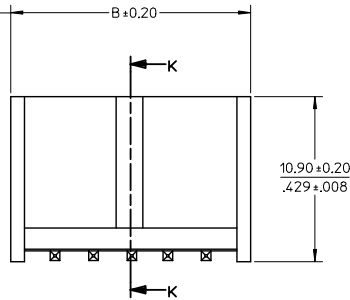
RECOMMENDED PCB PATTERN



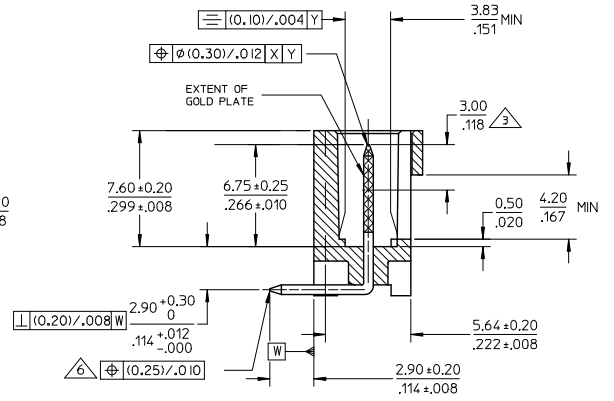
1 TO 6 CIRCUITS



SECTION L-L



7 TO 32 CIRCUITS



SECTION K-K

UPDATE DRAWING EC NO: S2016-0416 DRAWN: GQH CHKD: ENG APPR: KHL JM 2015/10/30 2015/11/04 2015/11/05	QUALITY SYMBOLS √=0 √=0 √=0	GENERAL TOLERANCES (UNLESS SPECIFIED)		DIMENSION STYLE MM/IN		SCALE NTS	DESIGN UNITS METRIC	THIRD ANGLE PROJECTION	
		4 PLACES ± --- ± ---	mm INCH	DRAWN BY KS	DATE 1987/10/30	TITLE C-GRID III SINGLE ROW STRAIGHT SHROUDED HEADER			
		3 PLACES ± --- ± .004		CHECKED BY BENRIGHT	DATE 2002/08/15	molex			
		2 PLACES ± 0.10 ± --- 1 PLACE ± --- ± --- 0 PLACE ± ±		APPROVED BY MLONG	DATE 2011/04/15	MATERIAL NO. SEE TABLE	DOCUMENT NO. SDA-90136	SHEET NO. 2 OF 3	
DRAFT WHERE APPLICABLE WITHIN DIMENSIONS		ANGULAR ±1/2°		THIS DRAWING CONTAINS INFORMATION THAT IS PROPRIETARY TO MOLEX INCORPORATED AND SHOULD NOT BE USED WITHOUT WRITTEN PERMISSION					

10	9	8	7	6	5	4	3	2	1
CKTS	ASSEMBLY P/N	DIM A	DIM B	DIM C	NOTES				
1	90136-**01	-	(5.89)/.232	(4.06)/.160	<p>6. FOR PLATING DETAILS SEE SDES 99000-0003</p> <p>90136 - X X X X INDICATES NO. OF CIRCUITS</p> <p>PLATING 1 - TYPE A 2 - TYPE E 3 - TYPE F 4 - TYPE G</p> <p>STYLE - 1 - STRAIGHT ASSEMBLY STYLE - 2 - RIGHT ANGLE ASSEMBLY STYLE - 5 - STRAIGHT ASSEMBLY WITH VOIDS STYLE - 7 - NON STANDARD PRODUCT</p> <p>7. PLATING TYPES</p> <p>1 - TYPE A TIN 3.04µm MIN. OVER 1.27 - 2.54µm NICKEL.</p> <p>2 - TYPE E GOLD STRIPE 0.38 - 0.64µm IN SELECTED AREA (2 SIDES) & 3.04µm MIN TIN IN SELECTED AREA OVER 1.3 - 1.78µm NICKEL OVERALL.</p> <p>3 - TYPE F GOLD STRIPE 0.762 - 1.024µm IN SELECTED AREA (2 SIDES) & 3.04µm MIN TIN IN SELECTED AREA OVER 1.3 - 1.78µm NICKEL OVERALL.</p> <p>4 - TYPE G SELECTIVE GOLD PLATE. GOLD FLASH 0.05 - 0.10µm IN SELECTED AREA AND 3.04µm MIN - 5.04µm MAX TIN IN SELECTED AREA OVER 1.3 - 2.54µm NICKEL OVERALL.</p>				
2	90136-**02	(2.54)/.100	(8.43)/.332	(6.60)/.260					
3	90136-**03	(5.08)/.200	(10.97)/.432	(9.14)/.360					
4	90136-**04	(7.62)/.300	(13.51)/.532	(11.68)/.460					
5	90136-**05	(10.16)/.400	(16.05)/.632	(14.22)/.560					
6	90136-**06	(12.70)/.500	(18.59)/.732	(16.76)/.660					
7	90136-**07	(15.24)/.600	(21.13)/.832	(19.30)/.760					
8	90136-**08	(17.78)/.700	(23.67)/.932	(21.84)/.860					
9	90136-**09	(20.32)/.800	(26.21)/1.032	(24.38)/.960					
10	90136-**10	(22.86)/.900	(28.75)/1.132	(26.92)/1.060					
11	90136-**11	(25.4)/1.000	(31.29)/1.232	(29.46)/1.160					
12	90136-**12	(27.94)/1.100	(33.83)/1.332	(32.00)/1.260					
13	90136-**13	(30.48)/1.200	(36.37)/1.432	(34.54)/1.360					
14	90136-**14	(33.02)/1.300	(38.91)/1.532	(37.08)/1.460					
15	90136-**15	(35.56)/1.400	(41.45)/1.632	(39.62)/1.560					
16	90136-**16	(38.10)/1.500	(43.99)/1.732	(42.16)/1.660					
17	90136-**17	(40.64)/1.600	(46.53)/1.832	(44.70)/1.760					
18	90136-**18	(43.18)/1.700	(49.07)/1.932	(47.24)/1.860					
19	90136-**19	(45.72)/1.800	(51.61)/2.032	(49.78)/1.960					
20	90136-**20	(48.26)/1.900	(54.15)/2.132	(52.32)/2.060					
21	90136-**21	(50.80)/2.000	(56.69)/2.232	(54.86)/2.160					
22	90136-**22	(53.34)/2.100	(59.23)/2.332	(57.40)/2.260					
23	90136-**23	(55.88)/2.200	(61.77)/2.432	(59.94)/2.360					
24	90136-**24	(58.42)/2.300	(64.31)/2.532	(62.48)/2.460					
25	90136-**25	(60.96)/2.400	(66.85)/2.632	(65.02)/2.560					
26	90136-**26	(63.50)/2.500	(69.39)/2.732	(67.56)/2.660					
27	90136-**27	(66.04)/2.600	(71.93)/2.832	(70.10)/2.760					
28	90136-**28	(68.58)/2.700	(74.47)/2.932	(72.64)/2.860					
29	90136-**29	(71.12)/2.800	(77.01)/3.032	(75.18)/2.960					
30	90136-**30	(73.66)/2.900	(79.55)/3.132	(77.72)/3.060					
31	90136-**31	(76.20)/3.000	(82.09)/3.232	(80.26)/3.160					
32	90136-**32	(78.74)/3.100	(84.63)/3.332	(82.80)/3.260					

UPDATE DRAWING EC NO. S2016-0416 DRAWING: GGH CHK: CHANG APPR: XHL IN 2015/10/30 2015/11/04 2015/11/05	QUALITY SYMBOLS 	GENERAL TOLERANCES (UNLESS SPECIFIED)		DIMENSION STYLE		SCALE	DESIGN UNITS	THIRD ANGLE PROJECTION
				MM/IN		NTS	METRIC	
				DRAWN BY DATE		TITLE		
				CHECKED BY DATE		MATERIAL NO.		
		APPROVED BY DATE		DOCUMENT NO.		SHEET NO.		
		ANGULAR ±1/2°		SEE TABLE		3 OF 3		
		DRAFT WHERE APPLICABLE		THIS DRAWING CONTAINS INFORMATION THAT IS PROPRIETARY TO MOLEX				
		WITHIN DIMENSIONS		INCORPORATED AND SHOULD NOT BE USED WITHOUT WRITTEN PERMISSION				