

Excellent Integrated System Limited

Stocking Distributor

Click to view price, real time Inventory, Delivery & Lifecycle Information:

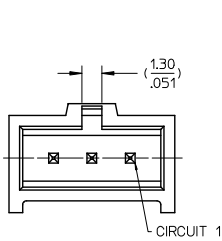
[Molex Connector Corporation](#)
[90136-1108](#)

For any questions, you can email us directly:

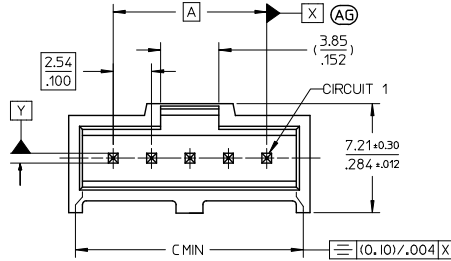
sales@integrated-circuit.com

10 9 8 7 6 5 4 3 2 1

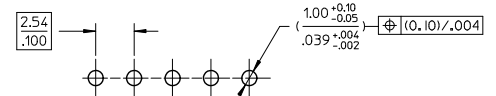
THROUGH HOLE VERSION (STRAIGHT ASSEMBLY)



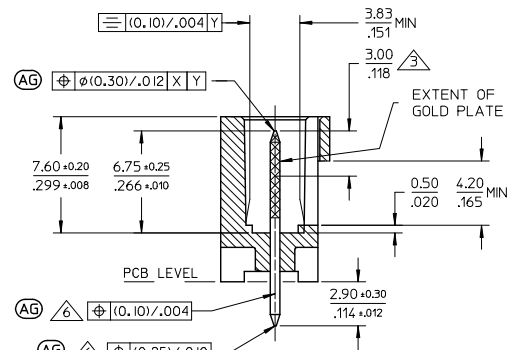
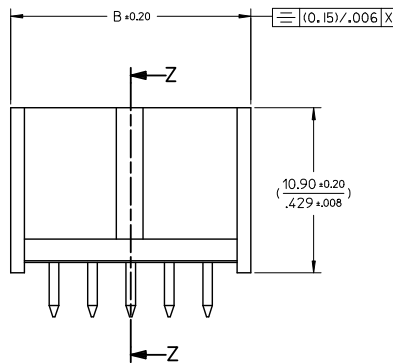
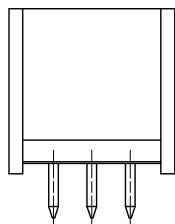
1 TO 3 CIRCUITS



4 TO 32 CIRCUITS



RECOMMENDED PCB HOLE PATTERN



SECTION Z-Z

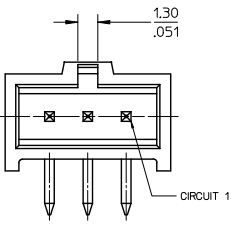
NOTES :

1. MATERIALS :
 - PIN : (0.650) / .0255 SQ. BRASS WIRE.
 - HOUSING : 15% GLASS FILLED POLYESTER
 - UL 94V-0 COLOR BLACK
2. FOR PLATING VERSIONS, SEE SHEET 2.
3. MEASUREMENT POINT FOR MINIMUM PLATING THICKNESS.
4. PRODUCT SPEC: PS-99020-0001
5. RECOMMENDED PCB THICKNESS 1.6mm
6. SOLDER TAIL TO BE GAUGED.

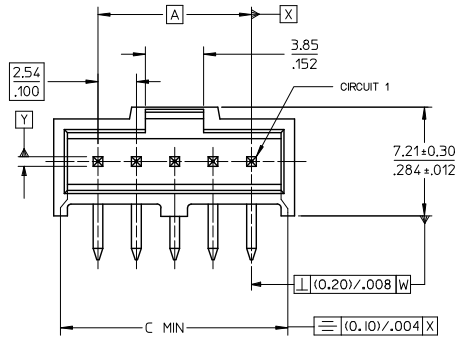
UPDATE DRAWING EC NO: S2016-0416 DRWNG:GQH CHKD:ENG APPR:KHLIM 2015/10/30 2015/11/04 2015/11/05	QUALITY SYMBOLS √=0 ∇=0 ∇=0	GENERAL TOLERANCES (UNLESS SPECIFIED)		DIMENSION STYLE		SCALE	DESIGN UNITS	THIRD ANGLE PROJECTION		
		mm	INCH	MM/IN	NTS	METRIC	C-GRID III SINGLE ROW STRAIGHT SHROUDED HEADER			
		4 PLACES ±---	±---	DRAWN BY	DATE	TITLE	molex DOCUMENT NO. SDA-90136 SHEET NO. 1 OF 3			
		3 PLACES ±---	±.004	KS	1987/10/30					
2 PLACES ±0.10	±---	CHECKED BY	DATE		THIS DRAWING CONTAINS INFORMATION THAT IS PROPRIETARY TO MOLEX INCORPORATED AND SHOULD NOT BE USED WITHOUT WRITTEN PERMISSION					
1 PLACE ±---	±---	BENRIGHT	2002/08/15							
0 PLACE ±	±	APPROVED BY	DATE		SEE TABLE					
		MLONG	2011/04/15							
DRAFT WHERE APPLICABLE MUST REMAIN WITHIN DIMENSIONS		ANGULAR ±1/2°		MATERIAL NO.		SIZE 3				

9 8 7 6 5 4 3 2 1

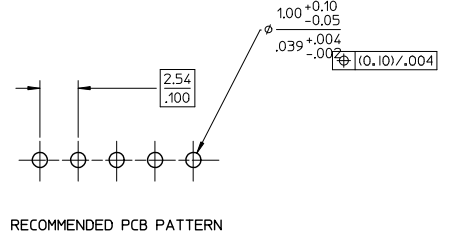
RIGHT ANGLE VERSION



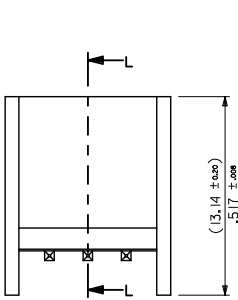
1 TO 3 CIRCUITS



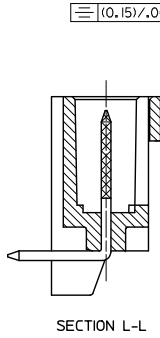
4 TO 32 CIRCUITS



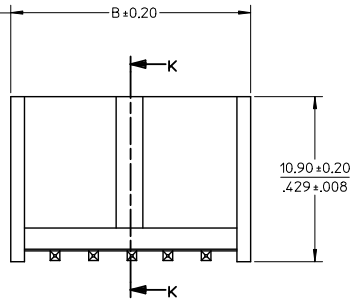
RECOMMENDED PCB PATTERN



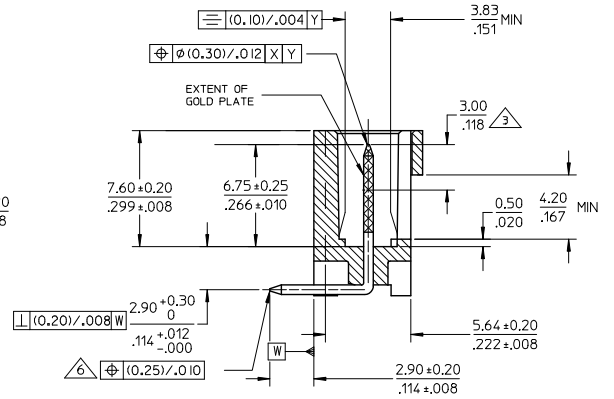
1 TO 6 CIRCUITS



SECTION L-L



7 TO 32 CIRCUITS



SECTION K-K

UPDATE DRAWING EC NO: S2016-0416 DRAWN: GQH CHKD: ENG APPR: KHL JM 2015/10/30 2015/11/04 2015/11/05	QUALITY SYMBOLS √=0 √=0 √=0	GENERAL TOLERANCES (UNLESS SPECIFIED) mm INCH 4 PLACES ± --- ± --- 3 PLACES ± --- ± .004 2 PLACES ± 0.10 ± --- 1 PLACE ± --- ± --- 0 PLACE ± ± ANGULAR ±1/2° DRAFT WHERE APPLICABLE WITHIN DIMENSIONS	DIMENSION STYLE MM/IN DRAWN BY DATE KS 1987/10/30 CHECKED BY DATE BENRIGHT 2002/08/15 APPROVED BY DATE MLONG 2011/04/15	SCALE NTS DESIGN UNITS METRIC THIRD ANGLE PROJECTION	TITLE C-GRID III SINGLE ROW STRAIGHT SHROUDED HEADER molex	DOCUMENT NO. SDA-90136	SHEET NO. 2 OF 3

