

## Excellent Integrated System Limited

Stocking Distributor

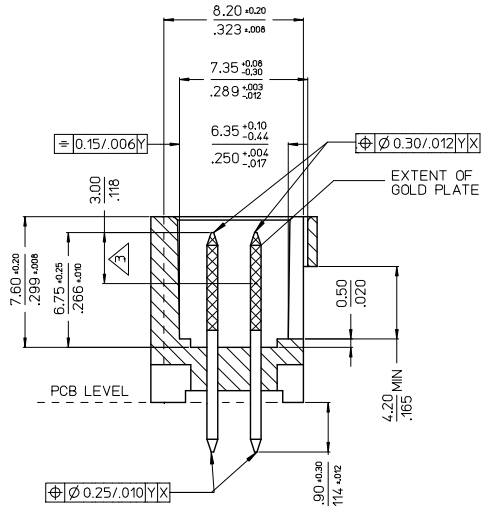
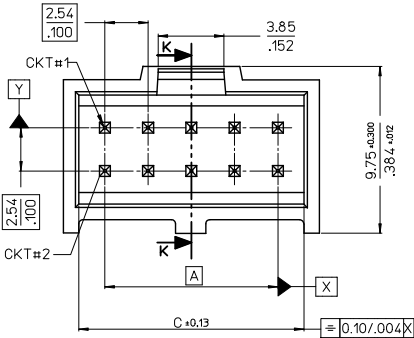
Click to view price, real time Inventory, Delivery & Lifecycle Information:

[Molex Connector Corporation](#)  
[0901303212](#)

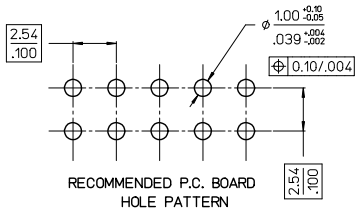
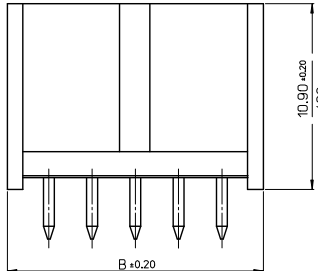
For any questions, you can email us directly:  
[sales@integrated-circuit.com](mailto:sales@integrated-circuit.com)

10 9 8 7 6 5 4 3 2 1

- NOTES :
1. MATERIAL:-  
 - PIN:- (0.65)/.0255 SQ. BRASS WIRE.  
 - HOUSING:- 15% GLASS FILLED POLYESTER  
 - UL 94 V-0 COLOUR BLACK
  2. FOR PLATING VERSIONS AND VOID VERSIONS SEE SHEET 2.
  3. MEASUREMENT POINT FOR MINIMUM PLATING THICKNESS.
  4. FOR PRODUCT SPEC SEE PS-99020-0001
  5. RECOMMENDED PCB THICKNESS: 1.60mm



CKT	DIM A	DIM B	DIM C
6	(5.08)/.200	(9.96)/.392	(8.12)/.320
8	(7.62)/.300	(12.50)/.492	(10.66)/.420
10	(10.16)/.400	(15.04)/.592	(13.20)/.520
12	(12.70)/.500	(17.58)/.692	(15.74)/.620
14	(15.24)/.600	(20.12)/.792	(18.28)/.720
16	(17.78)/.700	(22.66)/.892	(20.82)/.820
18	(20.32)/.800	(25.20)/.992	(23.36)/.920
20	(22.86)/.900	(27.74)/.1092	(25.90)/.1020
22	(25.40)/.1000	(30.28)/.1192	(28.44)/.1120
24	(27.94)/.1100	(32.82)/.1292	(30.98)/.1220
26	(30.48)/.1200	(35.36)/.1392	(33.52)/.1320
28	(33.02)/.1300	(37.90)/.1492	(36.06)/.1420
30	(35.56)/.1400	(40.44)/.1592	(38.60)/.1520
32	(38.10)/.1500	(42.98)/.1692	(41.15)/.1620
34	(40.64)/.1600	(45.52)/.1792	(43.68)/.1720
36	(43.18)/.1700	(48.06)/.1892	(46.22)/.1820
38	(45.72)/.1800	(50.60)/.1992	(48.76)/.1920
40	(48.26)/.1900	(53.14)/.2092	(51.30)/.2020
42	(50.80)/.2000	(55.68)/.2192	(53.84)/.2120
44	(53.34)/.2100	(58.22)/.2292	(56.38)/.2220
46	(55.88)/.2200	(60.76)/.2392	(58.92)/.2320
48	(58.42)/.2300	(63.30)/.2492	(61.46)/.2420
50	(60.96)/.2400	(65.84)/.2592	(64.00)/.2520
52	(63.50)/.2500	(68.38)/.2692	(66.54)/.2620
54	(66.04)/.2600	(70.92)/.2792	(69.08)/.2720
56	(68.58)/.2700	(73.46)/.2892	(71.62)/.2820
58	(71.12)/.2800	(76.00)/.2992	(74.16)/.2920
60	(73.66)/.2900	(78.54)/.3092	(76.70)/.3020
62	(76.20)/.3000	(81.08)/.3192	(79.24)/.3120
64	(78.74)/.3100	(83.62)/.3292	(81.78)/.3220
66	(81.28)/.3200	(86.16)/.3392	(84.32)/.3320
68	(83.82)/.3300	(88.70)/.3492	(86.86)/.3420



ADD DATUMS EC NO. S2015-0152 DRAWN AT SEE CHKD FANNY WONG APPR L B LEE 2014/08/18 2014/08/18 2014/08/19	QUALITY SYMBOLS √=0 √=0 √=0	GENERAL TOLERANCES (UNLESS SPECIFIED) <table border="1"> <tr><th></th><th>mm</th><th>INCH</th></tr> <tr><td>4 PLACES</td><td>±---</td><td>±---</td></tr> <tr><td>3 PLACES</td><td>±---</td><td>±.004</td></tr> <tr><td>2 PLACES</td><td>±0.10</td><td>±---</td></tr> <tr><td>1 PLACE</td><td>±---</td><td>±---</td></tr> </table> ANGULAR ±1/2°		mm	INCH	4 PLACES	±---	±---	3 PLACES	±---	±.004	2 PLACES	±0.10	±---	1 PLACE	±---	±---	DIMENSION STYLE MM/IN	SCALE NTS	DESIGN UNITS INCH	THIRD ANGLE PROJECTION
				mm	INCH																
4 PLACES	±---	±---																			
3 PLACES	±---	±.004																			
2 PLACES	±0.10	±---																			
1 PLACE	±---	±---																			
DRAWN BY KS 1988/08/23	CHECKED BY ATSEE 2010/02/11	APPROVED BY MLONG 2010/02/19	MATERIAL NO. SEE TABLE	DOCUMENT NO. SDA-90130	SHEET NO. 1 OF 4	TITLE C-GRID III DUAL ROW STRAIGHT SHROUDED HEADER MOLEX INCORPORATED															

DRAFT WHERE APPLICABLE MUST REMAIN WITHIN DIMENSIONS

THIS DRAWING CONTAINS INFORMATION THAT IS PROPRIETARY TO MOLEX INCORPORATED AND SHOULD NOT BE USED WITHOUT WRITTEN PERMISSION

10 9 8 7 6 5 4 3 2 1

10 9 8 7 6 5 4 3 2 1

VERSION FULLY LOADED

NO OF CKTS	HSG CKT SIZE	PART NUMBER			
		PLATING TYPE A	PLATING TYPE E	PLATING TYPE F	PLATING TYPE G
6	6	90130-X106	90130-X206	90130-X306	90130-X406
8	8	X108	X208	X308	X408
10	10	X110	X210	X310	X410
12	12	X112	X212	X312	X412
14	14	X114	X214	X314	X414
16	16	X116	X216	X316	X416
18	18	X118	X218	X318	X418
20	20	X120	X220	X320	X420
22	22	X122	X222	X322	X422
24	24	X124	X224	X324	X424
26	26	X126	X226	X326	X426
28	28	X128	X228	X328	X428
30	30	X130	X230	X330	X430
32	32	X132	X232	X332	X432
34	34	X134	X234	X334	X434
36	36	X136	X236	X336	X436
38	38	X138	X238	X338	X438
40	40	X140	X240	X340	X440
42	42	X142	X242	X342	X442
44	44	X144	X244	X344	X444
46	46	X146	X246	X346	X446
48	48	X148	X248	X348	X448
50	50	X150	X250	X350	X450
52	52	X152	X252	X352	X452
54	54	X154	X254	X354	X454
56	56	X156	X256	X356	X456
58	58	X158	X258	X358	X458
60	60	X160	X260	X360	X460
62	62	X162	X262	X362	X462
64	64	X164	X264	X364	X464
66	66	X166	X266	X366	X466
68	68	90130-X168	90130-X268	90130-X368	90130-X468

NOTES :  
1. FOR ASSEMBLY, SEE SHEET 1.  
2. REFER TO LEGEND FOR PLATING OPTIONS.

90130 - \* \* \* \*

PLATING TYPES

STYLE: - 1. STRAIGHT PIN VERSION  
8. VERSION WITH VOIDS

- 1 - TYPE A:  
3.04µm MIN. TIN OVER 1.27µm - 2.54µm NICKEL.
- 2 - TYPE E:  
0.38µm MIN. GOLD IN SELECTED AREA & 3.04µm MIN. TIN IN SELECTED AREA OVER 1.34µm MIN. NICKEL OVERALL.
- 3 - TYPE F:  
0.76µm MIN. GOLD IN SELECTED AREA. & 3.04µm MIN. TIN IN SELECTED AREA OVER 1.34µm MIN. NICKEL OVERALL.
- 4 - TYPE G:  
0.05 - 0.10µm GOLD FLASH IN SELECTED AREA & 3.04µm MIN. TIN IN SELECTED AREA OVER 1.34µm MIN. NICKEL OVERALL.

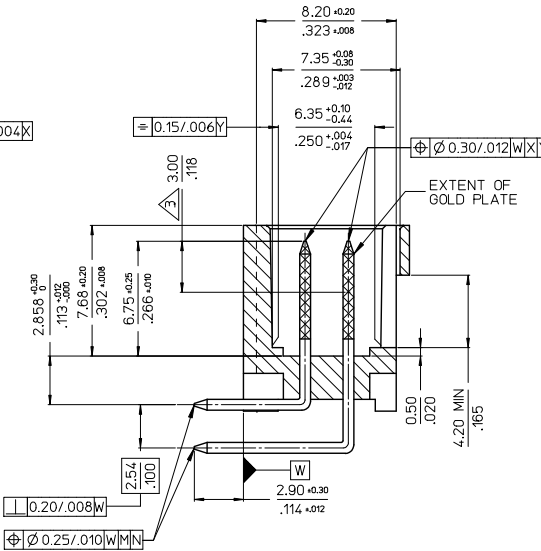
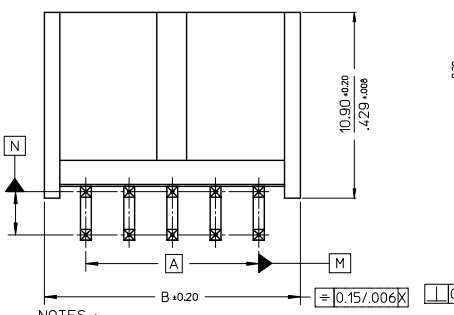
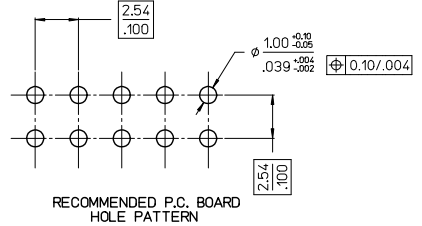
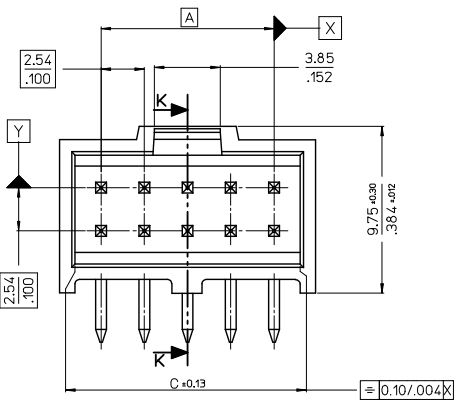
VOIDED OPTIONS

NO OF CKTS	HSG CKT SIZE	VOIDED PART NUMBER	VOID POSITION	PLATING TYPE
9	10	90130-8190	3	A
9	10	90130-8309	2	F
9	10	90130-8311	1	F
11	12	90130-8212	12	E
11	12	90130-8213	2	E
11	12	90130-8313	2	F
11	12	90130-8191	3	A

<b>ADD DATUMS</b> EC. NO. S2015-0152 DRAWN BY: 2014/08/18 CHKD: FANNY WONG 2014/08/18 APPR: LBLEE 2014/08/19 REV DESCRIPTION	QUALITY SYMBOLS	GENERAL TOLERANCES (UNLESS SPECIFIED)	DIMENSION STYLE	SCALE	DESIGN UNITS	THIRD ANGLE PROJECTION															
	$\sqrt{\text{R}}=0$ $\sqrt{\text{E}}=0$ $\sqrt{\text{F}}=0$	<table border="1"> <tr><th></th><th>mm</th><th>INCH</th></tr> <tr><td>4 PLACES</td><td>±---</td><td>±---</td></tr> <tr><td>3 PLACES</td><td>±---</td><td>±.004</td></tr> <tr><td>2 PLACES</td><td>±0.10</td><td>±---</td></tr> <tr><td>1 PLACE</td><td>±---</td><td>±---</td></tr> </table>		mm	INCH	4 PLACES	±---	±---	3 PLACES	±---	±.004	2 PLACES	±0.10	±---	1 PLACE	±---	±---	MM/IN	NTS	INCH	
		mm	INCH																		
	4 PLACES	±---	±---																		
3 PLACES	±---	±.004																			
2 PLACES	±0.10	±---																			
1 PLACE	±---	±---																			
	DRAFT WHERE APPLICABLE MUST REMAIN WITHIN DIMENSIONS	DRAWN BY: KS DATE: 1988/08/23 CHECKED BY: ATSEE DATE: 2010/02/11 APPROVED BY: MLONG DATE: 2010/02/19	TITLE			C-GRID III DUAL ROW STRAIGHT SHROUDED HEADER															
CA2		SEE TABLE	MATERIAL NO.	DOCUMENT NO.		MOLEX INCORPORATED SDA-90130 SHEET NO. 2 OF 4															

10 9 8 7 6 5 4 3 2 1

10 9 8 7 6 5 4 3 2 1



CKT	DIM A	DIM B	DIM C
6	(5.08)/.200	(9.96)/.392	(8.12)/.320
8	(7.62)/.300	(12.50)/.492	(10.66)/.420
10	(10.16)/.400	(15.04)/.592	(13.20)/.520
12	(12.70)/.500	(17.58)/.692	(15.74)/.620
14	(15.24)/.600	(20.12)/.792	(18.28)/.720
16	(17.78)/.700	(22.66)/.892	(20.82)/.820
18	(20.32)/.800	(25.20)/.992	(23.36)/.920
20	(22.86)/.900	(27.74)/.1092	(25.90)/.1020
22	(25.40)/.1000	(30.28)/.1192	(28.44)/.1120
24	(27.94)/.1100	(32.82)/.1292	(30.98)/.1220
26	(30.48)/.1200	(35.36)/.1392	(33.52)/.1320
28	(33.02)/.1300	(37.90)/.1492	(36.06)/.1420
30	(35.56)/.1400	(40.44)/.1592	(38.60)/.1520
32	(38.10)/.1500	(42.98)/.1692	(41.15)/.1620
34	(40.64)/.1600	(45.52)/.1792	(43.68)/.1720
36	(43.18)/.1700	(48.06)/.1892	(46.22)/.1820
38	(45.72)/.1800	(50.60)/.1992	(48.76)/.1920
40	(48.26)/.1900	(53.14)/.2092	(51.30)/.2020
42	(50.80)/.2000	(55.68)/.2192	(53.84)/.2120
44	(53.34)/.2100	(58.22)/.2292	(56.38)/.2220
46	(55.88)/.2200	(60.76)/.2392	(58.92)/.2320
48	(58.42)/.2300	(63.30)/.2492	(61.46)/.2420
50	(60.96)/.2400	(65.84)/.2592	(64.00)/.2520
52	(63.50)/.2500	(68.38)/.2692	(66.54)/.2620
54	(66.04)/.2600	(70.92)/.2792	(69.08)/.2720
56	(68.58)/.2700	(73.46)/.2892	(71.62)/.2820
58	(71.12)/.2800	(76.00)/.2992	(74.16)/.2920
60	(73.66)/.2900	(78.54)/.3092	(76.70)/.3020
62	(76.20)/.3000	(81.08)/.3192	(79.24)/.3120
64	(78.74)/.3100	(83.62)/.3292	(81.78)/.3220
66	(81.28)/.3200	(86.16)/.3392	(84.32)/.3320
68	(83.82)/.3300	(88.70)/.3492	(86.86)/.3420

- NOTES :
- MATERIAL:-  
- PIN:- (0.65)/.0255 SQ. BRASS WIRE.  
- HOUSING:- 15% GLASS FILLED POLYESTER  
- UL 94 V-0 COLOUR BLACK
  - FOR PLATING VERSIONS AND VOID VERSIONS SEE SHEET 2.
  - MEASUREMENT POINT FOR MINIMUM PLATING THICKNESS.
  - FOR PRODUCT SPEC SEE PS-99020-0001
  - RECOMMENDED PCB THICKNESS: 1.60mm

REV	DESCRIPTION
CA2	ADD DATUMS EC NO. S2015-0152 DRAWN/ATSEE 2014/08/18 CHKD/FANYWONG 2014/08/18 APPR: LBLEE 2014/08/19

QUALITY SYMBOLS	GENERAL TOLERANCES (UNLESS SPECIFIED)	
	mm	INCH
$\sqrt{\text{A}}=0$	4 PLACES ± --- ± ---	± .004
$\sqrt{\text{B}}=0$	3 PLACES ± --- ± ---	± .010
$\sqrt{\text{C}}=0$	2 PLACES ± --- ± ---	± .010
$\sqrt{\text{D}}=0$	1 PLACE ± --- ± ---	± .010
	ANGULAR ± 1/2°	

DRAFT WHERE APPLICABLE MUST REMAIN WITHIN DIMENSIONS

DIMENSION STYLE		SCALE	DESIGN UNITS	THIRD ANGLE PROJECTION
MM/IN	DATE	NTS	INCH	
DRAWN BY	DATE	TITLE	<b>C-GRID III DUAL ROW STRAIGHT SHROUDED HEADER</b> <b>MOLEX INCORPORATED</b>	
KS	1988/08/23			
CHECKED BY	DATE			
ATSEE	2010/02/11			
APPROVED BY	DATE			
MLONG	2010/02/19			
MATERIAL NO.	DOCUMENT NO.	SHEET NO.		
SEE TABLE	SDA-90130	3 OF 4		
THIS DRAWING CONTAINS INFORMATION THAT IS PROPRIETARY TO MOLEX INCORPORATED AND SHOULD NOT BE USED WITHOUT WRITTEN PERMISSION				

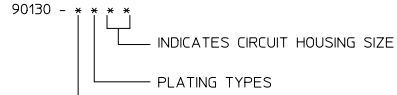
9 8 7 6 5 4 3 2 1

10 9 8 7 6 5 4 3 2 1

**VERSION FULLY LOADED**

NO OF CKTS	HSG CKT SIZE	PART NUMBER			
		PLATING TYPE A	PLATING TYPE E	PLATING TYPE F	PLATING TYPE G
6	6	90130-X106	90130-X206	90130-X306	90130-X406
8	8	X108	X208	X308	X408
10	10	X110	X210	X310	X410
12	12	X112	X212	X312	X412
14	14	X114	X214	X314	X414
16	16	X116	X216	X316	X416
18	18	X118	X218	X318	X418
20	20	X120	X220	X320	X420
22	22	X122	X222	X322	X422
24	24	X124	X224	X324	X424
26	26	X126	X226	X326	X426
28	28	X128	X228	X328	X428
30	30	X130	X230	X330	X430
32	32	X132	X232	X332	X432
34	34	X134	X234	X334	X434
36	36	X136	X236	X336	X436
38	38	X138	X238	X338	X438
40	40	X140	X240	X340	X440
42	42	X142	X242	X342	X442
44	44	X144	X244	X344	X444
46	46	X146	X246	X346	X446
48	48	X148	X248	X348	X448
50	50	X150	X250	X350	X450
52	52	X152	X252	X352	X452
54	54	X154	X254	X354	X454
56	56	X156	X256	X356	X456
58	58	X158	X258	X358	X458
60	60	X160	X260	X360	X460
62	62	X162	X262	X362	X462
64	64	X164	X264	X364	X464
66	66	X166	X266	X366	X466
68	68	90130-X168	90130-X268	90130-X368	90130-X468

NOTES :  
 1. FOR ASSEMBLY, SEE SHEET 1.  
 2. REFER TO LEGEND FOR PLATING OPTIONS



STYLE: - 3. RIGHT ANGLE VERSION

- 1 - TYPE A:  
3.0µm MIN. TIN OVER 1.27µm - 2.54µm NICKEL.
- 2 - TYPE E:  
0.38µm MIN. GOLD IN SELECTED AREA & 3.0µm MIN. TIN IN SELECTED AREA OVER 1.3µm MIN. NICKEL OVERALL.
- 3 - TYPE F:  
0.76µm MIN. GOLD IN SELECTED AREA & 3.0µm MIN. TIN IN SELECTED AREA OVER 1.3µm MIN. NICKEL OVERALL.
- 4 - TYPE G  
0.05-0.10µm GOLD FLASH IN SELECTED AREA & 3.0µm MIN. TIN IN SELECTED AREA OVER 1.3µm MIN. NICKEL OVERALL.

ADD DATUMS EC. NO. S2015-0152 DRAWN/ATSEE 2014/08/18 CHKD/FANYWONG 2014/08/18 APPR./BLEE 2014/08/19 CAZ	QUALITY SYMBOLS √=0 √=0 √=0	GENERAL TOLERANCES (UNLESS SPECIFIED)		DIMENSION STYLE MM/IN		SCALE NTS	DESIGN UNITS INCH	THIRD ANGLE PROJECTION
		4 PLACES ± --- ± ---	3 PLACES ± --- ± .004	DRAWN BY KS DATE 1988/08/23	TITLE C-GRID III DUAL ROW STRAIGHT SHROUDED HEADER			
		2 PLACES ± 0.10 ± ---	1 PLACE ± --- ± ---	CHECKED BY ATSEE DATE 2010/02/11	MOLEX INCORPORATED			
		ANGULAR ± 1/2°		APPROVED BY MLONG DATE 2010/02/19	MATERIAL NO. SEE TABLE	DOCUMENT NO. SDA-90130	SHEET NO. 4 OF 4	

DRAFT WHERE APPLICABLE MUST REMAIN WITHIN DIMENSIONS

THIS DRAWING CONTAINS INFORMATION THAT IS PROPRIETARY TO MOLEX INCORPORATED AND SHOULD NOT BE USED WITHOUT WRITTEN PERMISSION

9 8 7 6 5 4 3 2 1