

## Excellent Integrated System Limited

Stocking Distributor

Click to view price, real time Inventory, Delivery & Lifecycle Information:

[CUI Inc.](#)  
[CMS0201KLX](#)

For any questions, you can email us directly:  
[sales@integrated-circuit.com](mailto:sales@integrated-circuit.com)



**PART NUMBER: CMS0201KLX**

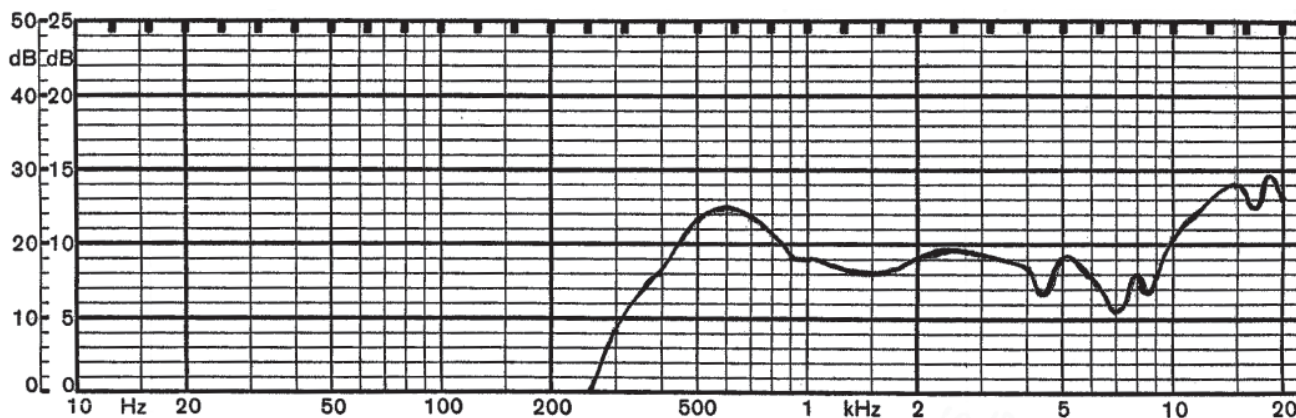
**DESCRIPTION: SPEAKER**

## SPECIFICATIONS

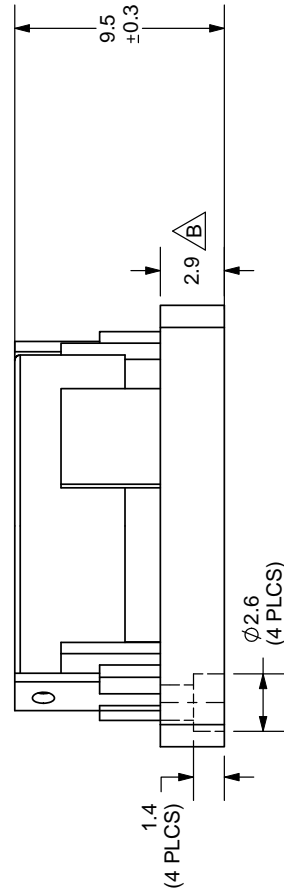
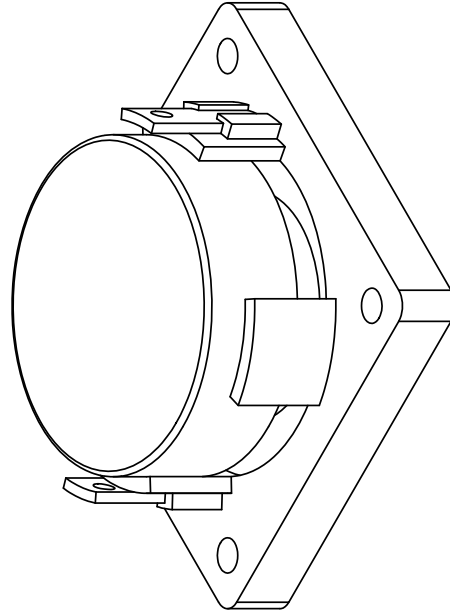
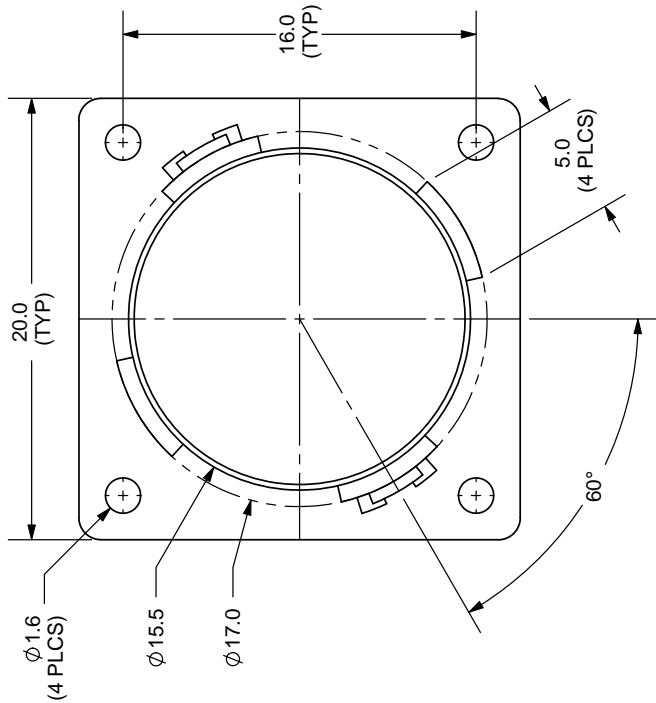
parameter	conditions/description	min	nom	max	units
nominal size	20 x 20 x 9.5H mm				
impedance	at 1 kHz, 1 V	6.8	8	9.2	$\Omega$
resonant frequency	at 1 V	424	530	636	Hz
sound pressure level	1 W, 50 cm ave., at 0.6, 0.8, 1, 1.2 kHz	77	80	83	dB
response	10 dB max.	Fo		20,000	Hz
input power			2	4	W
operation	must be normal at program source		2		W
buzz, rattle, etc.	must be normal at sine wave		4		V dc
magnet	size: 11.4 x 3 mm				
load test	24 hours of white noise at		2		W
heat test	20 ~ 50% RH for 24 hours	58	60	62	$^{\circ}$ C
humidity test	90 ~ 95% RH for 24 hours	38	40	42	$^{\circ}$ C
RoHS	yes				

## FREQUENCY RESPONSE CURVE

parameter	conditions/description
potentiometer range	50 dB
rectifier	RMS
lower limit frequency	20 Hz
wr. speed	100 mm/sec
zero level	60 dB



REV.	DESCRIPTION	DATE
A	NEW DRAWING	7/25/2007
B	base thickness chaged from 3.0mm to 2.9mm	5/6/2008



TOLERANCE:  
 ±0.2mm UNLESS OTHERWISE  
 SPECIFIED



20050 SW 112th Ave.  
 Tualatin, OR 97062  
 Phone: 503-612-2300  
 800-275-4899  
 Fax: 503-612-2383  
 Website: www.cui.com

TITLE: MINIATURE MONITOR SPEAKER	REV: B
PART NO: CMS0201KLX	UNITS: MM [INCHES]
DRAWN BY: ZRJ	APPROVED BY:
	SCALE: 3:1