

Excellent Integrated System Limited

Stocking Distributor

Click to view price, real time Inventory, Delivery & Lifecycle Information:

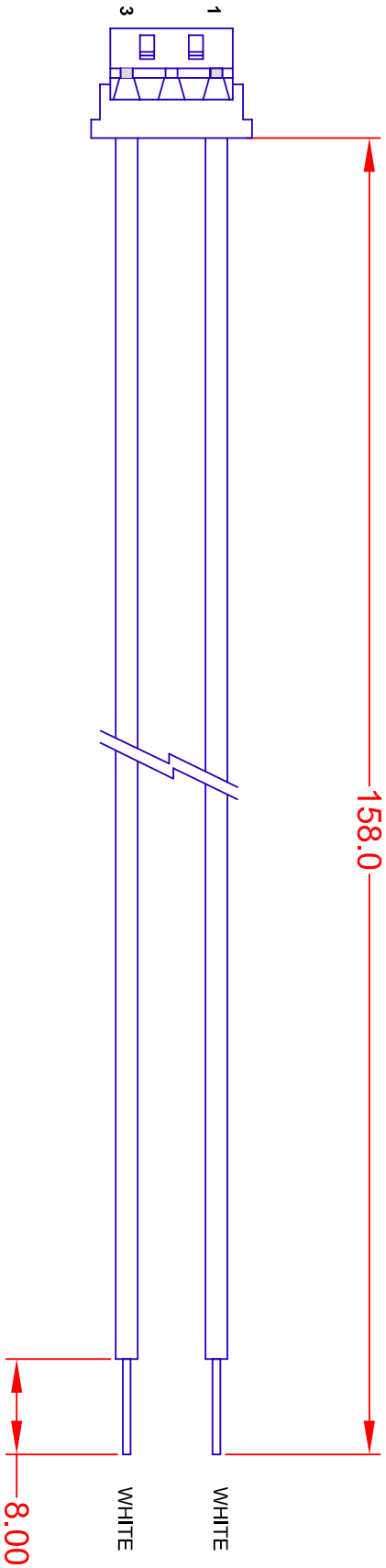
[JKL Components Corporation](#)

[BXC-10567](#)

For any questions, you can email us directly:

sales@integrated-circuit.com

REV.	DESCRIPTION/ECO NO.	DATE
	RELEASE & CANCEL BXA-12562/CONN2	2/26/03
A	ADD ROHS NOTE, WIRE, CONTACT	2/9/07




PIN	WIRE TYPE	AWG	COLOR
1	UL 3613	22	WHT
2	NC		
3	UL 3613	22	WHT

NOTES:

1. HOUSING QZ-19-3F01 (HONDA)
2. CONTACT QZ-19-F114A (HONDA)
3. ROHS COMPLIANCE
(CONTACT JKL FOR ROHS LOT IDENTIFICATION)

JKL PART NO.: BXC-10567

METRIC		DIMENSIONS ARE IN MILLIMETERS	TOLERANCE UNLESS OTHERWISE SPECIFIED	1 PL +/- 4.0	2 PL +/- 0.50	ANGLE +/- 0
THIRD ANGLE PROJECTION						
DRAWN BY	L. WENGSTROM	APPR'D BY	L.R.	DATE	2/9/07	
SCALE	A	SIZE	55335	FCGM NO.	BXC-10567	DRAWING NO.
TITLE	JKL COMPONENTS CORPORATION					
OUTPUT CONNECTOR HARNESS						
RELEASED DATE	2/26/03	REVISION DATE	2/9/07	REV. NO.	A	SHEET 1 OF 1
MANUAL REVISIONS NOT PERMITTED						