

## Excellent Integrated System Limited

Stocking Distributor

Click to view price, real time Inventory, Delivery & Lifecycle Information:

[Pulse Electronics Corporation](#)  
[ST6122T](#)

For any questions, you can email us directly:

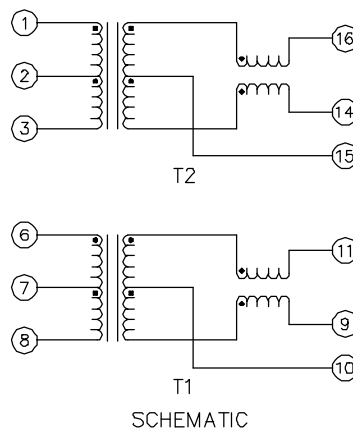
[sales@integrated-circuit.com](mailto:sales@integrated-circuit.com)



# ST6122T

Rev B

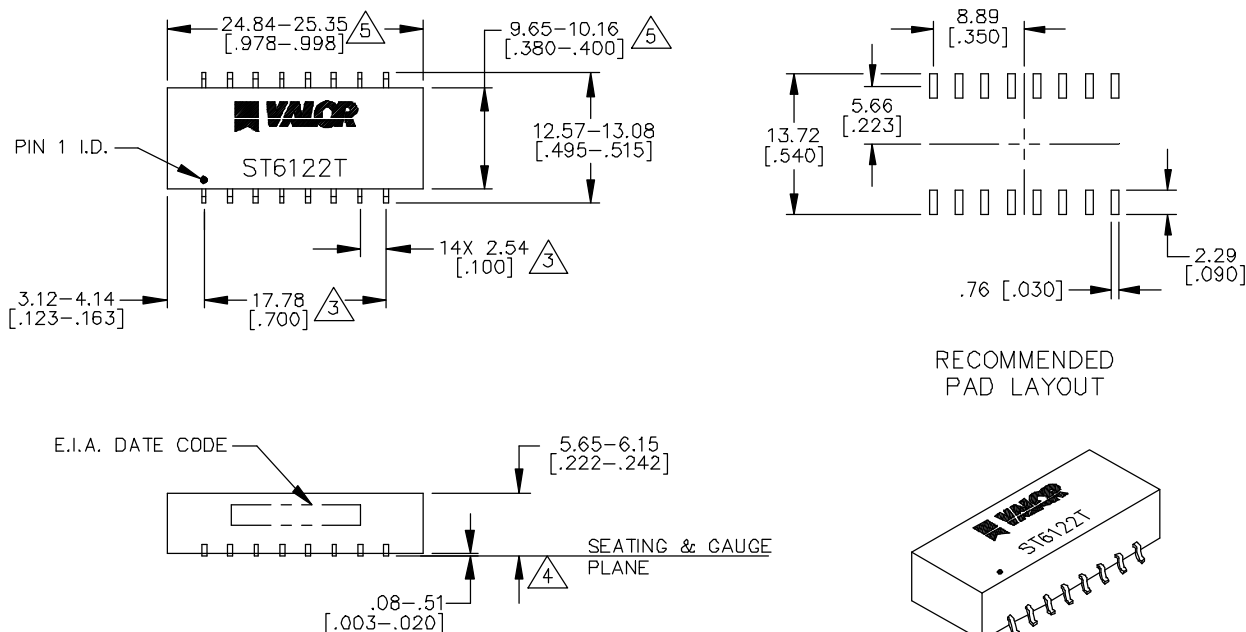
## Electrical



### ELECTRICAL SPECIFICATIONS @ 25°C

URNS RATIO (1-2-3 TO 15-16-14)	: 1.4CT:1CT
URNS RATIO (6-7-8 TO 11-10-9)	: 1CT:1CT
OCL (1-3) @ 0.1Vrms, 100KHz	: 600μH MIN @ 100KHz, 100mV
OCL (6-8) @ 0.1Vrms, 100KHz	: 350μH MIN @ 100KHz, 100mV, 8mADC
HIPOT (1-3-2 TO 16-15-14)	: 1500VAC 1 MINUTE
HIPOT (6-7-8 TO 11-10-9)	: 1500VAC 1 MINUTE
LL (1-3 SHORT 16-14)	: .600μH MAX @ 1MHz, 1V
LL (6-8 SHORT 11-9)	: .40μH MAX @ 1MHz, 1V
CWW (1-3 TO 16-14)	: 18pF MAX @ 140KHz, 1V
CWW (6-8 TO 11-9)	: 17pF MAX @ 140KHz, 1V
DCR (1-3)	: .700Ω MAX
DCR (6-8)	: .500Ω MAX
DCR (16-14) = (11-9)	: 1.10Ω MAX

## Mechanical



WEBSITE [www.valorinc.com](http://www.valorinc.com) E-MAIL [marketing@valorinc.com](mailto:marketing@valorinc.com)

**NORTH AMERICA**  
 tel 1-800-31 VALOR  
 fax 619-537-2525

**ASIA/PACIFIC**  
 tel +852-2953-1000  
 fax +852-2953-1333

**EUROPE**  
 tel +44-1727-824 875  
 fax +44-1727-824 898