

Excellent Integrated System Limited

Stocking Distributor

Click to view price, real time Inventory, Delivery & Lifecycle Information:

[Grayhill, Inc.](#)
[37F1-AB2-AC1](#)

For any questions, you can email us directly:
sales@integrated-circuit.com

SERIES 37F
Piezo Keypads

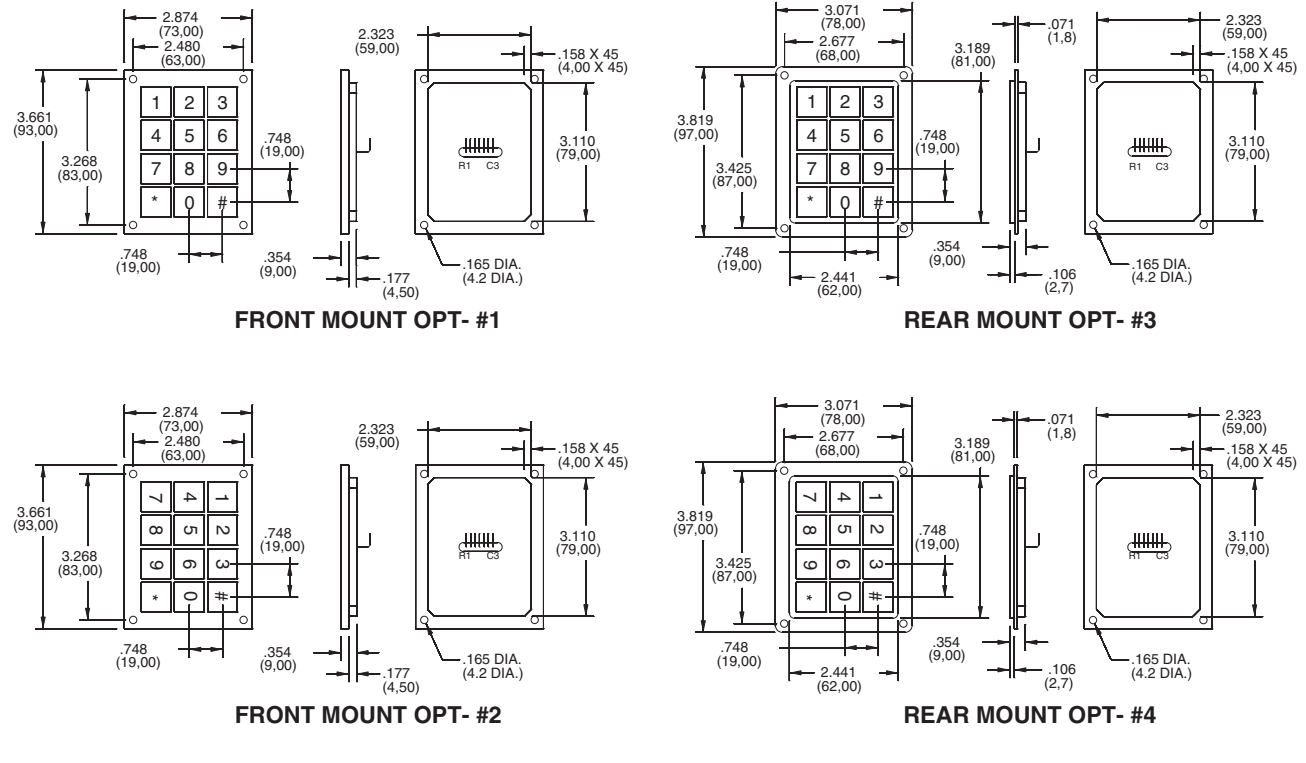
FEATURES

- Fully Sealed
- Virtually Indestructible
- Vandal Resistant
- Indoor and Outdoor Use



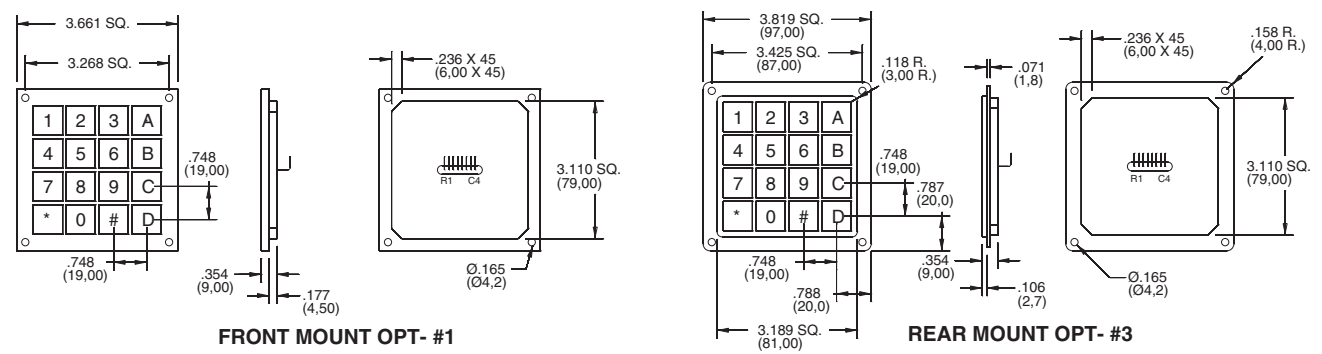
DIMENSIONS in inches (and millimeters)

3x4 Keypad



DIMENSIONS in inches (and millimeters)

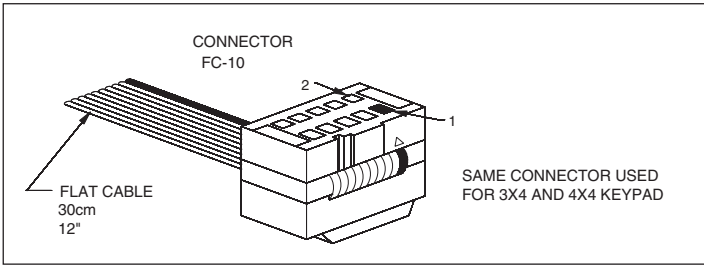
4X4 Keypad





Piezo Keypads

CONNECTORS in inches (and millimeters)



CODE AND TRUTH TABLES

Truth Table for 3x4 Keypads

SWITCH POSITION	CONNECTOR PIN#						
	1	2	3	4	5	6	7
1				●			●
2				●		●	
3				●	●		
4			●				●
5			●			●	
6			●		●		
7		●					●
8		●				●	
9		●			●		
10	●						●
11	●					●	
12	●				●		

Truth Table for 4x4 Keypads

SWITCH POSITION	CONNECTOR PIN#							
	1	2	3	4	5	6	7	8
1	●				●			
2	●					●		
3	●						●	
4	●							●
5		●			●			
6		●				●		
7		●					●	
8		●						●
9			●		●			
10			●			●		
11			●				●	
12			●					●
13				●	●			
14				●		●		
15				●			●	
16				●				●

SPECIFICATIONS

Rating Criteria
 Rated Voltage: 0 – 24V AC/DC
 Rated Current: 0 – 2 Amps.
 Resistance "ON": <10 Ohms.
 Resistance "OFF": >5 megohms

Switch Capacitance: 25pF
 Switch Functioning: One Shot
 Activation Force: 3-5N Typ.
 Operating Temperature: -40°C to 85°C
 (40° to 125°C upon requested)

Lifecycle: >50 million
 EMI or RFI Effect: None
 Housing Material: Aluminum
 Protection System: IP68 according to IEC 529.

ORDERING INFORMATION

