

Excellent Integrated System Limited

Stocking Distributor

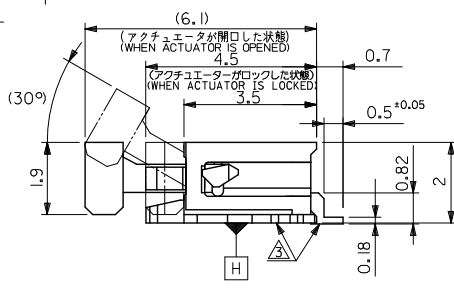
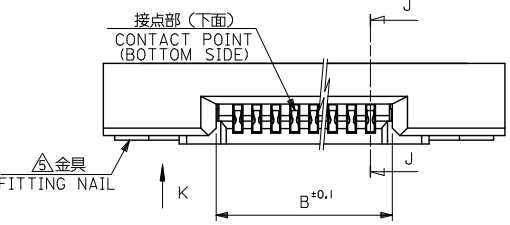
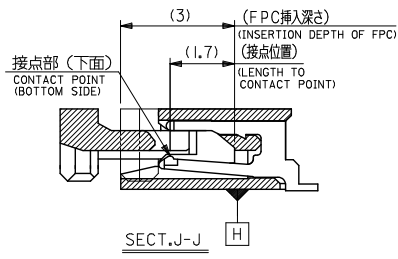
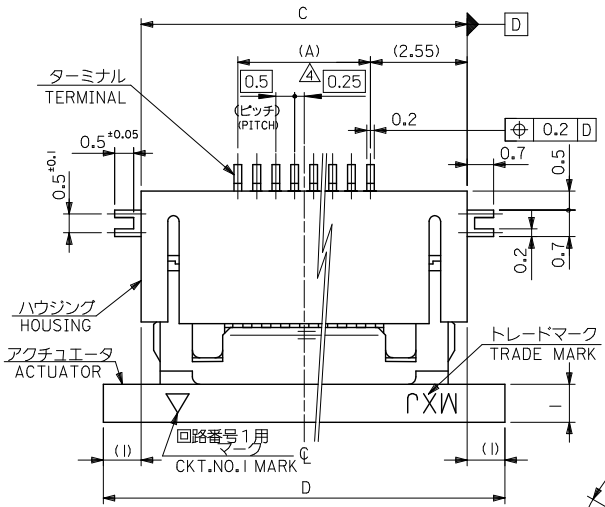
Click to view price, real time Inventory, Delivery & Lifecycle Information:

[Molex Connector Corporation](#)
[52437-2372](#)

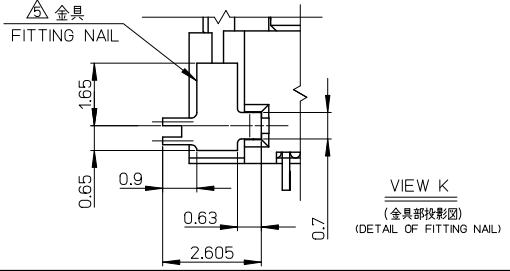
For any questions, you can email us directly:

sales@integrated-circuit.com

10 9 8 7 6 5 4 3 2 1

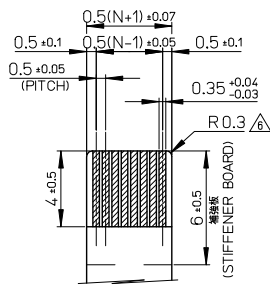


21.6	19.6	15.65	14.5	52437-3072	30
21.1	19.1	15.15	14.0	52437-2972	29
20.6	18.6	14.65	13.5	52437-2872	28
20.1	18.1	14.15	13.0	52437-2772	27
19.6	17.6	13.65	12.5	52437-2672	26
19.1	17.1	13.15	12.0	52437-2572	25
18.6	16.6	12.65	11.5	52437-2472	24
18.1	16.1	12.15	11.0	52437-2372	23
17.6	15.6	11.65	10.5	52437-2272	22
17.1	15.1	11.15	10.0	52437-2172	21
D	C	B	(A)	EMBOSSED PACKAGE	極数
				ORDER No. オオーダー番号	極数

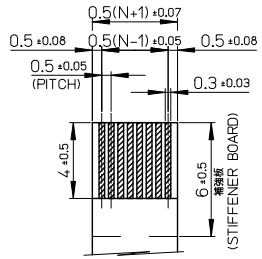


REVISED IEC NO. J2013-4532 DRAWN INOUE01 2013/06/24 CHIKDHUJIMA 2013/06/24 APPR:YNOGAWA 2013/06/28	GENERAL TOLERANCES (UNLESS SPECIFIED)		DIMENSION STYLE MM ONLY		SCALE ---	DESIGN UNITS METRIC	THIRD ANGLE PROJECTION
	10 UNDER	± 0.2	DRAWN BY	DATE	TITLE		
	10 OVER 30 UNDER	± 0.25	YSAKIYAM	'04/01/08	0.5 FPC CONN. ZIF FOR SMT R/A (BOTTOM CONTACT) TIN-BISMUTH PLATING		
	30 OVER	± 0.3	CHECKED BY	DATE	molex DOCUMENT NO. SD-52437-017 SHEET NO. 1 OF 2		
ANGULAR ± 3°		DRAFT WHERE APPLICABLE MUST REMAIN WITHIN DIMENSIONS		APPROVED BY	DATE	THIS DRAWING CONTAINS INFORMATION THAT IS PROPRIETARY TO MOLEX INCORPORATED AND SHOULD NOT BE USED WITHOUT WRITTEN PERMISSION	
				MSASAO	'04/01/08		

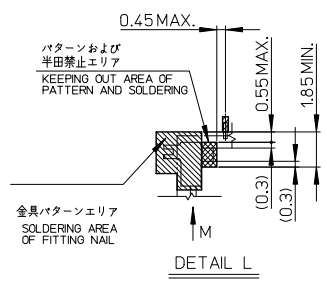
10 9 8 7 6 5 4 3 2 1



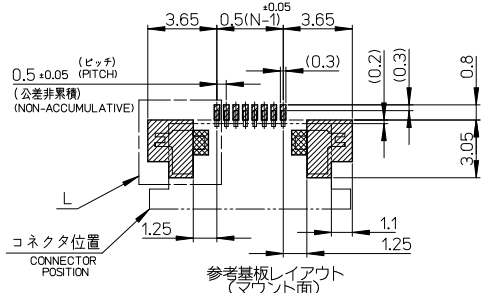
適合銅系めっきFPC推奨寸法
APPLICABLE FPC OF TIN
PLATING RECOMMENDED DIMENSION
在上がり厚さ: 0.3±0.05
THICKNESS: 0.3±0.05/-0.05



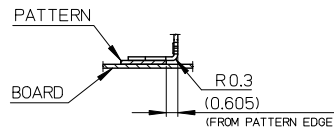
適合銅系めっきFFC推奨寸法
APPLICABLE FFC OF TIN
PLATING RECOMMENDED DIMENSION
在上がり厚さ: 0.3±0.05
THICKNESS: 0.3±0.05/-0.05



DETAIL L



参考基板レイアウト
(マウント面)
RECOMMENDED P.C.BOARD
PATTERN DIMENSION (REF.)
(MOUNTING SIDE)



VIEW M
(DETAIL OF FITTING NAIL
ON PATTERN)

注記NOTES

1. 使用材料
MATERIAL
ハウジング: 46ナイロン、ガラス充填、UL94V-0、白
HOUSING: PA46, GLASS FILLED, UL94V-0, WHITE
アクチュエータ: ポリフェニレンサルフィド (PPS)、ガラス充填、UL94V-0、茶色
ACTUATOR: POLYPHENYLENE SULFIDE, GLASS FILLED, UL94V-0, BROWN
ターミナル: リン青銅、ニッケル下地鍍めヒスマめっき (I=0.2)
TERMINAL: PHOSPHOR BRONZE, TIN BISMUTH OVER NICKEL PLATING
金具: リン青銅、ニッケル下地鍍め (I=0.2)
FITTING NAIL: PHOSPHOR BRONZE, TIN OVER NICKEL PLATING
2. エンボステープ梱包時は、アクチュエータがロックした状態になります。
IN THE PACKAGE, ACTUATOR OF PART NO.52437-xx*26 SHOULD BE LOCKED.
△ ソルダータール半田付け面のズレ量、及び金具半田付け面のズレ量は、基準面Hに対して上方向に0.1MAXIMUM、下方向0.15MAXIMUMとする。
MISALIGNMENT OF SOLDER TAILS AND FITTING NAILS FROM DATUM-H.
△ UPPER DIRECTION: 0.1MAXIMUM
△ LOWER DIRECTION: 0.15 MAXIMUM
△ 偶数極に適用
APPLY FOR EVEN CIRCUIT.
△ ハ' ターン剝離止め金具
FITTING NAIL FOR PREVENTION OF PEELING OF P.W.B. PATTERN.
△ R0.3は、FPCの導体部にかからないこと
R0.3 MUST NOT BE OVERLAPED TO PATTERN OF FPC.
7. ソルダータールの平坦度は、0.1MAXIMUMとする。
SOLDER TAIL COPLANARITY IS 0.1 MAXIMUM.
8. ELV 及び RoHS 適合品
ELV AND RoHS COMPLIANT

FPCについて:

打抜き方向は導体側から補強板側を推奨致します。
補強フィルム材質はポリイミドを推奨致します。
接着剤は熱硬化接着剤を推奨致します。

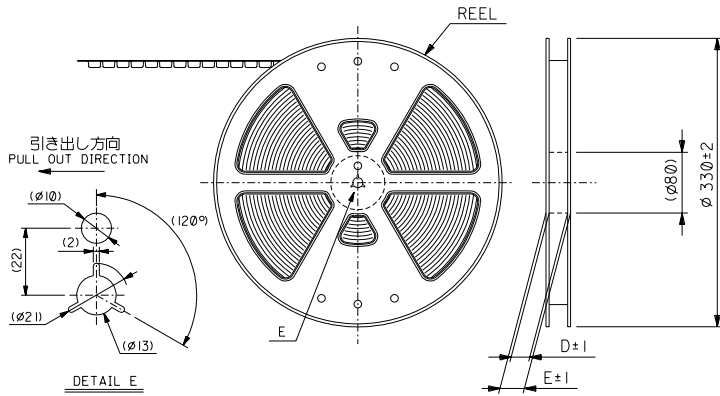
ABOUT FPC:

RECOMMENDED PUNCHER DIRECTION :
FROM CONDUCTOR SIDE TO STIFFENER BOARD SIDE.
RECOMMENDED MATERIAL:
STIFFENER FILM : POLYIMIDE
BONDING AGENT : THERMOSETTING BONDING AGENT

REVISED EC NO. J2013-1532 DRAWN: NINOUE01 CHKD: H. IJIMA APPR: Y. NAGAWA REV	DESCRIPTION 2013/06/24 2013/06/24 2013/06/28	GENERAL TOLERANCES (UNLESS SPECIFIED)		DIMENSION STYLE		SCALE	DESIGN UNITS	THIRD ANGLE PROJECTION
				MM ONLY		---	METRIC	
		10 UNDER	± 0.2	DRAWN BY	DATE	TITLE		
		10 OVER 30 UNDER	± 0.25	YSAKIYAM	'04/01/08	0.5 FPC CONN. ZIF FOR SMT R/A (BOTTOM CONTACT) TIN-BISMUTH PLATING		
		30 OVER	± 0.3	CHECKED BY	DATE			
		ANGULAR	± 3 °	MSASAO	'04/01/08			
		DRAFT WHERE APPLICABLE WITHIN DIMENSIONS		APPROVED BY	DATE			
				MSASAO	'04/01/08			
				MATERIAL NO.		DOCUMENT NO.	SHEET NO.	
				SEE CHART		SD-52437-017	2 OF 2	
				THIS DRAWING CONTAINS INFORMATION THAT IS PROPRIETARY TO MOLEX INCORPORATED AND SHOULD NOT BE USED WITHOUT WRITTEN PERMISSION				

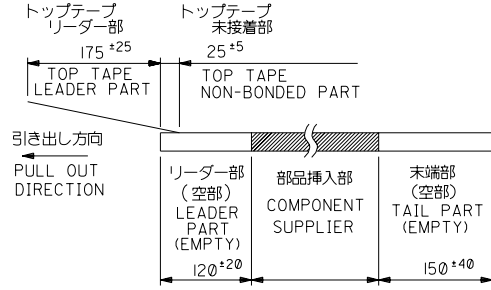
9 8 7 6 5 4 3 2

DWG. NO. SD-52437-018

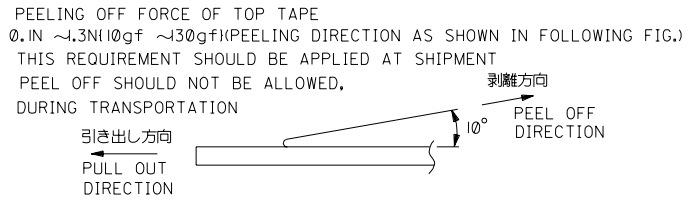


注記 NOTES

- 製品番号 52437-**26 の梱包状態はアクチュエータがロックした状態とする。
詳細寸法については図面 SD-52437-017 を参照下さい。
IN THE PACKAGE, ACTUATOR OF PART NO.52437-**26 SHOULD BE LOCKED RE DETAILED DIMENSIONS, SEE SD-52437-017.
- 梱包数量: 1000個/リール
NUMBER OF CONNECTORS: 1000PCS/REEL
- リードテープ長さ LEAD TAPE LENGTH



- トップテープの剥離強度: (剥離方向は下図参照)
0.1N~1.3N (10gf~130gf)尚、本規格値は、出荷時に適用。
(但し、輸送時に剥離が発生しない事。)



5. 材料 (MATERIAL)

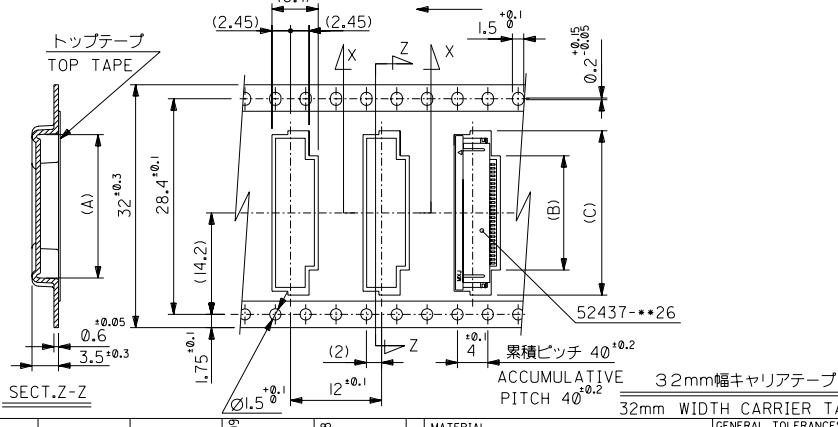
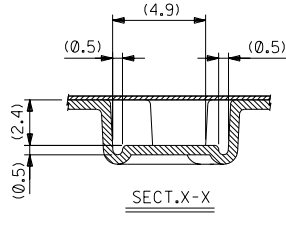
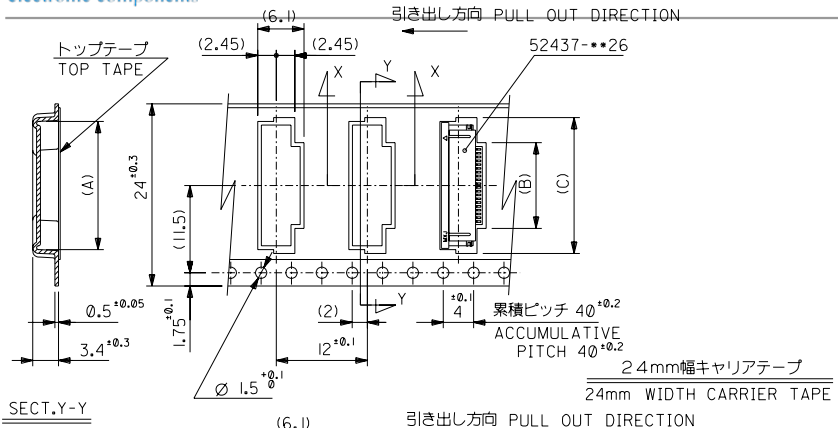
キャリアテープ (CARRIER TAPE): ポリプロピレン (POLYPROPYLENE)
 トップテープ (TOPTAPE): PET, PE, PEF
 リール (REEL): ポリスチレン (PS) <リサイクル材を含む>
 POLYSTYRENE (PS) <RECYCLE MATERIAL CONTAINED>

- 本製品は 52437-**91 の鉛フリー品である。
THIS PRODUCT IS LEAD FREE OF 52437-**91.

DO NOT SCALE DRAWING	EC NO. DRAWN: CHK: APPR:	EC NO. DRAWN: CHK: APPR:	EC NO. DRAWN: CHK: APPR:	REVISED '04/02/09 EC NO. J2004-2350 DRAWN: NAIDA CHK: K.TOJO APPR: M.SASAO	RELEASED '04/01/08 EC NO. J2004-1850 DRAWN: Y.SAKIYAMA CHK: M.SASAO APPR: M.SASAO	DESCRIPTION MATERIAL 材料 注記参照 SEE NOTES	GENERAL TOLERANCES: (UNLESS SPECIFIED) 一般公差	SCALE —	DESIGN UNITS mm INCH	THIRD ANGLE PROJECTION	DIMENSIONS: mm INCH mm INCH	SHT REV
	8	7	6	A	0	FINISH 仕上げ	10 UNDER 未満 10 OVER 以上 30 UNDER 未満 30 OVER 以上	0.2 +0.25 +0.3	DRAWN BY & DATE Y.SAKIYAMA '04/01/08 CHECKED BY & DATE M.SASAO '04/01/08 APPROVED BY & DATE M.SASAO '04/01/08	TITLE: 0.5 FPC Conn Assy ZIF SMT RA With Tape Embstp Pkg -LEAD FREE-	REVISION REVISE ON CAD ONLY	
						WIRE RANGE 適用電線範囲	ANGLE 角度	3°	CAD FILENAME SD-52437-018.S01	MATERIAL NO. 52437-**72	DRAWING NO. SD-52437-018	SHEET NO. 1 OF 3
						INS. RANGE 検査外径			THIS DRAWING CONTAINS INFORMATION THAT IS PROPRIETARY TO MOLEX INCORPORATED AND SHOULD NOT BE USED WITHOUT WRITTEN PERMISSION.		SIZE B	EN-02J(097) MXJ-54

F
E
D
C
B
A

DWG. NO. SD-52437-018

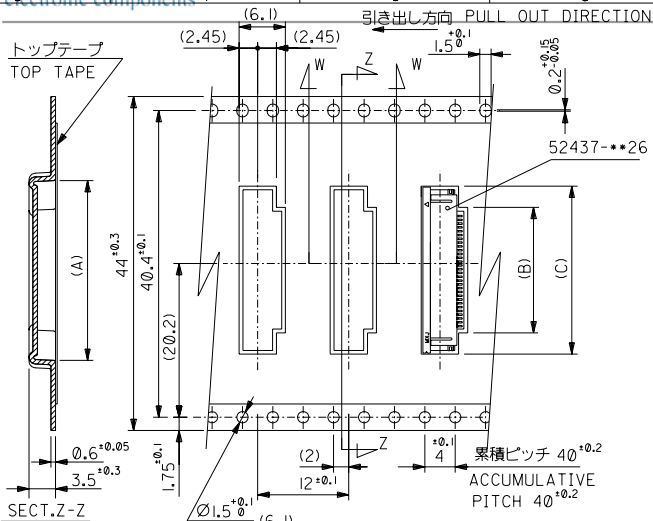


32	37.4	33.4	22.4	15.8	21.4	52437-2972	29
			21.9	15.3	20.9	-2872	28
			21.4	14.8	20.4	-2772	27
			20.9	14.3	19.9	-2672	26
			20.4	13.8	19.4	-2572	25
			19.9	13.3	18.9	-2472	24
			19.4	12.8	18.4	-2372	23
			18.9	12.3	17.9	-2272	22
			17.9	11.3	16.9	-2072	20
			17.4	10.8	16.4	-1972	19
24	29.4	25.4	16.9	10.3	15.9	-1872	18
			16.4	9.8	15.4	-1772	17
			15.9	9.3	14.9	-1672	16
			15.4	8.8	14.4	-1572	15
			14.9	8.3	13.9	-1472	14
			14.4	7.8	13.4	-1372	13
			13.9	7.3	12.9	-1272	12
			13.4	6.8	12.4	-1172	11
			12.9	6.3	11.9	-1072	10
			12.4	5.8	11.4	-0972	9
11.9	5.3	10.9	-0872	8			
11.4	4.8	10.4	-0772	7			
10.9	4.3	9.9	52437-0672	6			

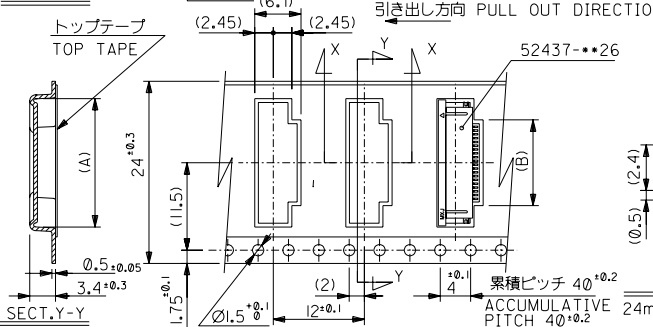
DO NOT SCALE DRAWING	EC NO. DRAWN: CHK'G: APPR:	EC NO. DRAWN: CHK'G: APPR:	EC NO. DRAWN: CHK'G: APPR:	REVISED '04/02/08	MATERIAL 材料	GENERAL TOLERANCES: (UNLESS SPECIFIED) 一般公差	SCALE —	DESIGN UNITS mm INCH	THIRD ANGLE PROJECTION	DIMENSIONS: mm INCH mm INCH mm ONLY	SHT REV
				EC NO. J2004-2350 DRAWN: NAIDA CHK'G: K.TOJO APPR: M.SASAO							
				RELEASED '04/01/08	WIRE RANGE 適用電線範囲	10 UNDER 未満	0.2				
				EC NO. J2004-1850 DRAWN: Y.SAKIYAMA CHK'G: M.SASAO APPR: M.SASAO	INS. RANGE 検査外径	10 OVER 以上	0.25				
						30 UNDER 未満	0.5				
						30 OVER 以上	0.3				
						ANGLE 角度	3°				
						THIS DRAWING CONTAINS INFORMATION THAT IS PROPRIETARY TO MOLEX INCORPORATED AND SHOULD NOT BE USED WITHOUT WRITTEN PERMISSION.					
											EN-02J(097) MXJ-54

SD-52437-018-382

DWG. NO. SD-52437-018



44	49.4	45.4	22.9	16.3	21.9	52437-3072	30
キャリアテープ幅 CARRIER TAPE WIDTH	E	D	(C)	(B)	(A)	MATERIAL NO.	極数 CIRCUIT



24	29.4	25.4	11.8	17.4	52437-2172	21
キャリアテープ幅 CARRIER TAPE WIDTH	E	D	(B)	(A)	MATERIAL NO.	極数 CIRCUIT

DO NOT SCALE DRAWING

EC NO. DRAWN: CHK'G: APPR:	EC NO. DRAWN: CHK'G: APPR:	EC NO. DRAWN: CHK'G: APPR:	REVISED '04/02/08	RELEASSED '04/01/08	MATERIAL 材料	GENERAL TOLERANCES: (UNLESS SPECIFIED)	SCALE	DESIGN UNITS mm INCH	THIRD ANGLE PROJECTION	DIMENSIONS: mm INCH mm INCH mm ONLY	SHT REV	REVISE ON CAD ONLY		
			EC NO. J2004-2350 DRAWN: NAIDA CHK'G: K.TOJO APPR: M.SASAO										EC NO. J2004-1850 DRAWN: Y.SAKIYAMA CHK'G: M.SASAO APPR: M.SASAO	DESCRIPTION
8	7	A	0		SHEET 1 OF 3 参照 REFER TO SHEET 1 OF 3		10 UNDER 未満	10 OVER 以上	30 UNDER 未満	30 OVER 以上	ANGLE 角度	3°	THIS DRAWING CONTAINS INFORMATION THAT IS PROPRIETARY TO MOLEX INCORPORATED AND SHOULD NOT BE USED WITHOUT WRITTEN PERMISSION.	EN-02J(097)MXJ-54

SD-52437-018-503