

Excellent Integrated System Limited

Stocking Distributor

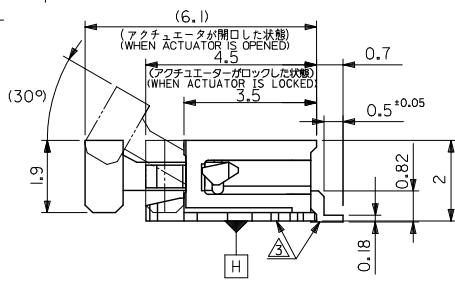
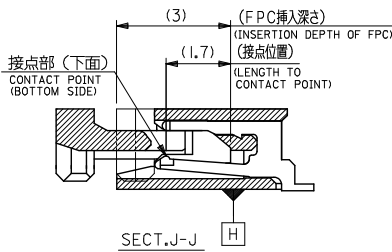
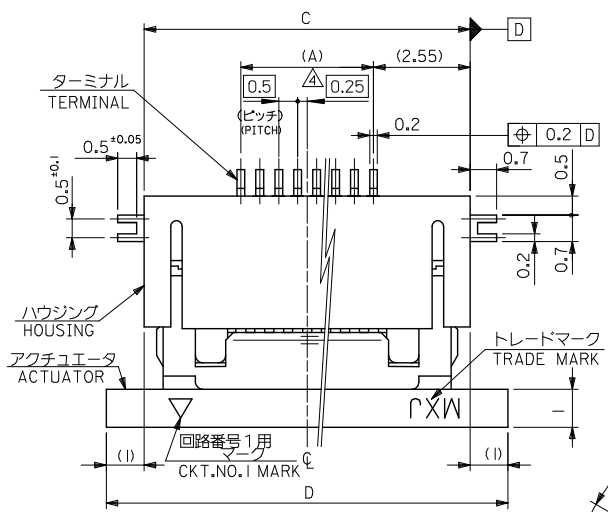
Click to view price, real time Inventory, Delivery & Lifecycle Information:

[Molex Connector Corporation](#)
[52437-2672](#)

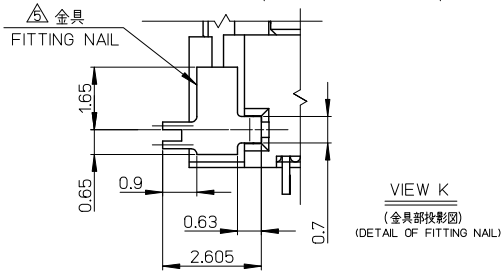
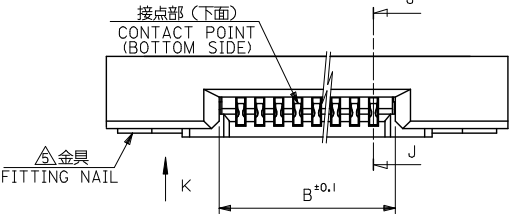
For any questions, you can email us directly:

sales@integrated-circuit.com

10 9 8 7 6 5 4 3 2 1

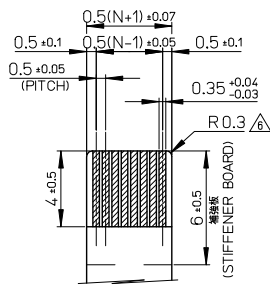


21.6	19.6	15.65	14.5	52437-3072	30
21.1	19.1	15.15	14.0	52437-2972	29
20.6	18.6	14.65	13.5	52437-2872	28
20.1	18.1	14.15	13.0	52437-2772	27
19.6	17.6	13.65	12.5	52437-2672	26
19.1	17.1	13.15	12.0	52437-2572	25
18.6	16.6	12.65	11.5	52437-2472	24
18.1	16.1	12.15	11.0	52437-2372	23
17.6	15.6	11.65	10.5	52437-2272	22
17.1	15.1	11.15	10.0	52437-2172	21
D	C	B	(A)	EMBOSSED PACKAGE	極数 (Number of Poles)
				ORDER No. オーダー番号	極数 (Number of Poles)

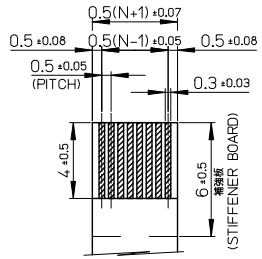


REVISED REV. 1 REV. 2	DEC. NO. 2013/06/21	DRAWN BY CHIKDHUJIMA	DATE 2013/06/21	GENERAL TOLERANCES (UNLESS SPECIFIED)		DIMENSION STYLE MM ONLY		SCALE ---		DESIGN UNITS METRIC		THIRD ANGLE PROJECTION	
				10 UNDER	± 0.2	DRAWN BY YSAKIYAM	DATE '04/01/08	TITLE 0.5 FPC CONN. ZIF FOR SMT R/A (BOTTOM CONTACT) TIN-BISMUTH PLATING					
				10 OVER	30 UNDER	± 0.25	CHECKED BY MSASAO	DATE '04/01/08	DOCUMENT NO. molex				
				30 OVER		± 0.3	APPROVED BY MSASAO	DATE '04/01/08	SEE CHART				
				ANGULAR		± 3 °	MATERIAL NO.		SHEET NO. 1 OF 2			INCORPORATED AND SHOULD NOT BE USED WITHOUT WRITTEN PERMISSION	

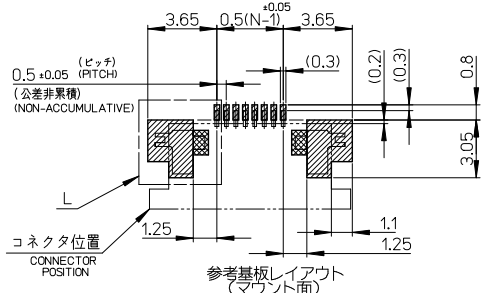
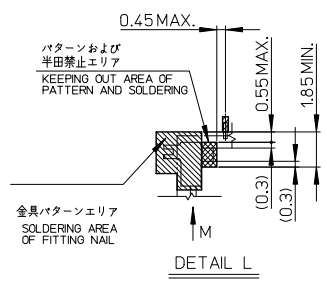
10 9 8 7 6 5 4 3 2 1



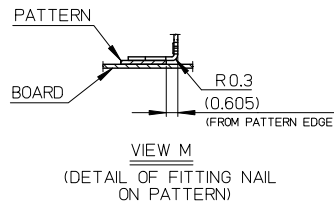
適合銅系めっきFPC推奨寸法
APPLICABLE FPC OF TIN
PLATING RECOMMENDED DIMENSION
在上がり厚さ: 0.3±0.05
THICKNESS: 0.3±0.05/-0.05



適合銅系めっきFFC推奨寸法
APPLICABLE FFC OF TIN
PLATING RECOMMENDED DIMENSION
在上がり厚さ: 0.3±0.05
THICKNESS: 0.3±0.05/-0.05



参考基板レイアウト
(マウント面)
RECOMMENDED P.C.BOARD
PATTERN DIMENSION (REF.)
(MOUNTING SIDE)



VIEW M
(DETAIL OF FITTING NAIL
ON PATTERN)

注記NOTES

1. 使用材料
MATERIAL
ハウジング: 46ナイロン, ガラス充填, UL94V-0, 白
HOUSING: PA46, GLASS FILLED, UL94V-0, WHITE
アクチュエータ: ポリフェニレンサルフィド (PPS), ガラス充填, UL94V-0, 茶色
ACTUATOR: POLYPHENYLENE SULFIDE, GLASS FILLED, UL94V-0, BROWN
ターミナル: リン青銅, ニッケル下地鍍びスズめっき (t=0.2)
TERMINAL: PHOSPHOR BRONZE, TIN BISMUTH OVER NICKEL PLATING
金具: リン青銅, ニッケル下地鍍び (t=0.2)
FITTING NAIL: PHOSPHOR BRONZE, TIN OVER NICKEL PLATING
2. エンボステープ梱包時は、アクチュエータがロックした状態になります。
IN THE PACKAGE, ACTUATOR OF PART NO.52437-xx*26 SHOULD BE LOCKED.
△ ソルダータール半田付け面のズレ量、及び金具半田付け面のズレ量は、基準面Hに対して上方向に0.1MAXIMUM、下方向0.15MAXIMUMとする。
MISALIGNMENT OF SOLDER TAILS AND FITTING NAILS FROM DATUM-H.
△ UPPER DIRECTION: 0.1MAXIMUM
△ LOWER DIRECTION: 0.15 MAXIMUM
△ 偶数極に適用
APPLY FOR EVEN CIRCUIT.
△ ハ' ターン制動止め金具
FITTING NAIL FOR PREVENTION OF PEELING OF P.W.B. PATTERN.
△ R0.3は、FPCの導体部にかからないこと
R0.3 MUST NOT BE OVERLAPED TO PATTERN OF FPC.
7. ソルダータールの平坦度は、0.1MAXIMUMとする。
SOLDER TAIL COPLANARITY IS 0.1 MAXIMUM.
8. ELV 及び RoHS 適合品
ELV AND RoHS COMPLIANT

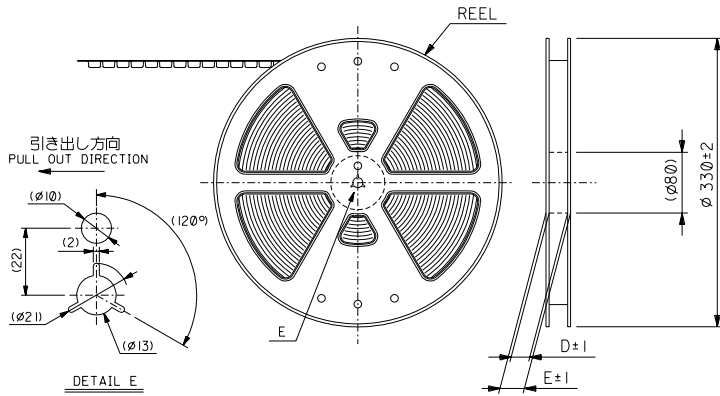
FPCについて:
打抜き方向は導体側から補強板側を推奨致します。
補強フィルム材質はポリイミドを推奨致します。
接着剤は熱硬化接着剤を推奨致します。

ABOUT FPC:
RECOMMENDED PUNCHER DIRECTION :
FROM CONDUCTOR SIDE TO STIFFENER BOARD SIDE.
RECOMMENDED MATERIAL:
STIFFENER FILM : POLYIMIDE
BONDING AGENT : THERMOSETTING BONDING AGENT

REVISED EC NO. J2013-1532 DRAWN: NINOUE01 CHKD: H. IJIMA APPR: Y. NAGAWA REV	DESCRIPTION 2013/06/24 2013/06/24 2013/06/28	GENERAL TOLERANCES (UNLESS SPECIFIED)		DIMENSION STYLE		SCALE	DESIGN UNITS	THIRD ANGLE PROJECTION
				MM ONLY		---	METRIC	
		10 UNDER	± 0.2	DRAWN BY	DATE	TITLE		
		10 OVER 30 UNDER	± 0.25	YSAKIYAM	'04/01/08	0.5 FPC CONN. ZIF FOR SMT R/A (BOTTOM CONTACT) TIN-BISMUTH PLATING		
		30 OVER	± 0.3	CHECKED BY	DATE			
		ANGULAR	± 3 °	MSASAO	'04/01/08			
		DRAFT WHERE APPLICABLE WITHIN DIMENSIONS		APPROVED BY	DATE			
				MSASAO	'04/01/08			
				MATERIAL NO.		DOCUMENT NO.	SHEET NO.	
				SEE CHART		SD-52437-017	2 OF 2	
				THIS DRAWING CONTAINS INFORMATION THAT IS PROPRIETARY TO MOLEX INCORPORATED AND SHOULD NOT BE USED WITHOUT WRITTEN PERMISSION				

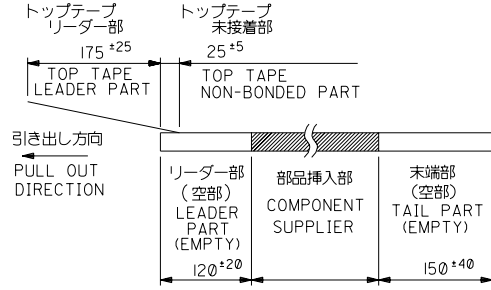
9 8 7 6 5 4 3 2

DWG. NO. SD-52437-018

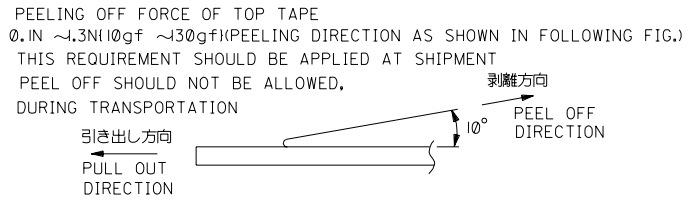


注記 NOTES

- 製品番号 52437-**26 の梱包状態はアクチュエータがロックした状態とする。
詳細寸法については図面 SD-52437-017 を参照下さい。
IN THE PACKAGE, ACTUATOR OF PART NO.52437-**26 SHOULD BE LOCKED RE DETAILED DIMENSIONS, SEE SD-52437-017.
- 梱包数量: 1000個/リール
NUMBER OF CONNECTORS: 1000PCS/REEL
- リードテープ長さ LEAD TAPE LENGTH



- トップテープの剥離強度: (剥離方向は下図参照)
0.1N~1.3N (10gf~130gf)尚、本規格値は、出荷時に適用。
(但し、輸送時に剥離が発生しない事。)



5. 材料 (MATERIAL)

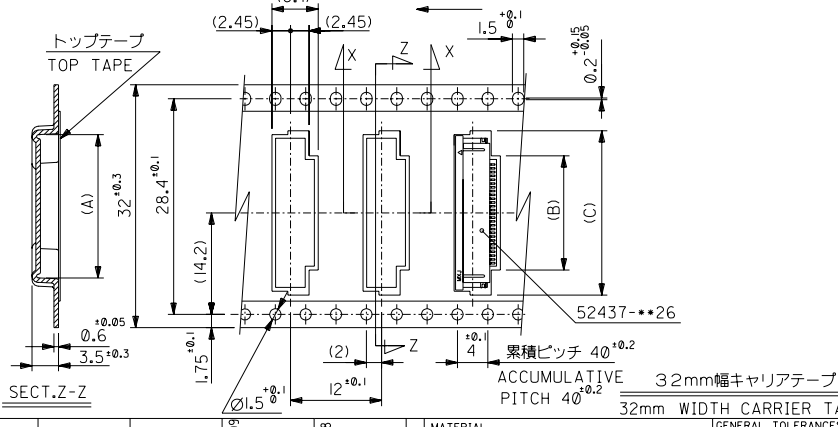
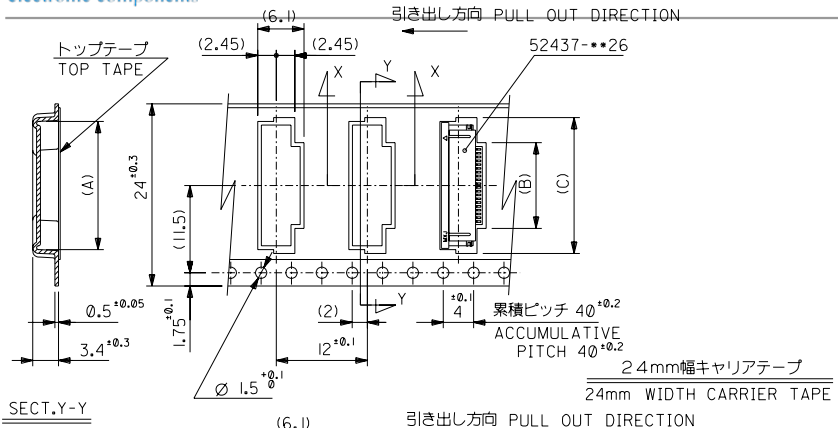
キャリアテープ (CARRIER TAPE): ポリプロピレン (POLYPROPYLENE)
 トップテープ (TOPTAPE): PET, PE, PEF
 リール (REEL): ポリスチレン (PS) <リサイクル材を含む>
 POLYSTYRENE (PS) <RECYCLE MATERIAL CONTAINED>

- 本製品は 52437-**91 の鉛フリー品である。
THIS PRODUCT IS LEAD FREE OF 52437-**91.

DO NOT SCALE DRAWING	EC NO. DRAWN: CHK: APPR:	EC NO. DRAWN: CHK: APPR:	EC NO. DRAWN: CHK: APPR:	REVISED '04/02/09	MATERIAL 材料 注記参照 SEE NOTES	GENERAL TOLERANCES: (UNLESS SPECIFIED) 一般公差	SCALE —	DESIGN UNITS mm INCH	THIRD ANGLE PROJECTION	DIMENSIONS: mm INCH mm INCH		SHT	REV
				EC NO. J2004-2350 DRAWN: NAIDA CHK: K.TOUJO APPR: M.SASAO		10 UNDER 未満	0.2	DRAWN BY & DATE Y.SAKIYAMA '04/01/08		mm INCH		REVISION	
				EC NO. J2004-1850 DRAWN: Y.SAKIYAMA CHK: M.SASAO APPR: M.SASAO		10 OVER 以上 30 UNDER 未満	+0.25	CHECKED BY & DATE M.SASAO '04/01/08		mm INCH		REVISION	
				REV. RANGE 適用電線径範囲		30 OVER 以上	+0.3	APPROVED BY & DATE M.SASAO '04/01/08		mm INCH		REVISION	
				A	DESCRIPTION	ANGLE 角度	3°		MOLEX INCORPORATED		SHEET NO. 1 OF 3	SIZE B	
				0	REV.				MATERIAL NO. 52437-**72 DRAWING NO. SD-52437-018		EN-02J(097) MXJ-54		

SD-52437-018-01

DWG. NO.
SD-52437-018

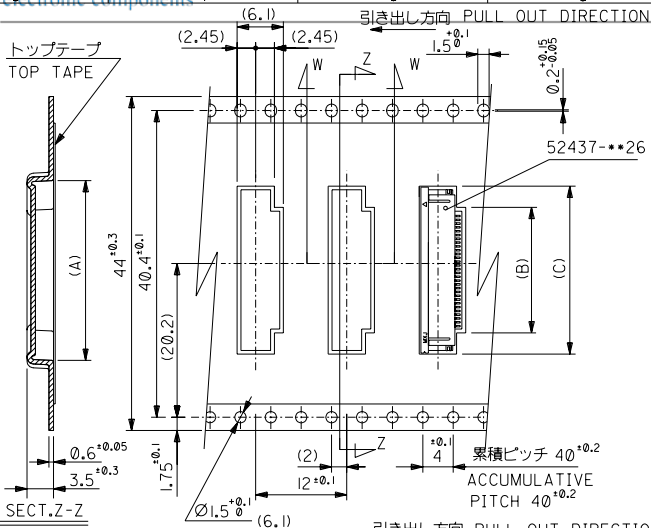


32	37.4	33.4	22.4	15.8	21.4	52437-2972	29
			21.9	15.3	20.9	-2872	28
			21.4	14.8	20.4	-2772	27
			20.9	14.3	19.9	-2672	26
			20.4	13.8	19.4	-2572	25
			19.9	13.3	18.9	-2472	24
			19.4	12.8	18.4	-2372	23
			18.9	12.3	17.9	-2272	22
			17.9	11.3	16.9	-2072	20
			17.4	10.8	16.4	-1972	19
24	29.4	25.4	16.9	10.3	15.9	-1872	18
			16.4	9.8	15.4	-1772	17
			15.9	9.3	14.9	-1672	16
			15.4	8.8	14.4	-1572	15
			14.9	8.3	13.9	-1472	14
			14.4	7.8	13.4	-1372	13
			13.9	7.3	12.9	-1272	12
			13.4	6.8	12.4	-1172	11
			12.9	6.3	11.9	-1072	10
			12.4	5.8	11.4	-0972	9
11.9	5.3	10.9	-0872	8			
11.4	4.8	10.4	-0772	7			
10.9	4.3	9.9	52437-0672	6			

DO NOT SCALE DRAWING		EC NO. DRAWN: CHK'G: APPR:		EC NO. DRAWN: CHK'G: APPR:		EC NO. DRAWN: CHK'G: APPR:		REVISED '04/02/08 EC NO. J2004-2350 DRAWN: NAIDA CHK'G: KITOJO APPR: M.SASAO		RELEASED '04/01/08 EC NO. J2004-1850 DRAWN: Y.SAKIYAMA CHK'G: M.SASAO APPR: M.SASAO		MATERIAL 材料 SHEET 1 OF 3 参照 REFER TO SHEET 1 OF 3		GENERAL TOLERANCES: (UNLESS SPECIFIED) 一般公差		SCALE —		DESIGN UNITS mm INCH		THIRD ANGLE PROJECTION		DIMENSIONS: mm INCH		SHT REV																	
						A		Ø		FINISH 仕上り		WIRE RANGE 適用電線範囲		INS. RANGE 被覆外径		10 UNDER 未満		10 OVER 以上		30 UNDER 未満		30 OVER 以上		ANGLE 角度		DRAWN BY & DATE Y.SAKIYAMA '04/01/08		CHECKED BY & DATE M.SASAO '04/01/08		APPROVED BY & DATE M.SASAO '04/01/08		CAD FILENAME SD-52437-018.S02		MATERIAL NO. 52437-72		DRAWING NO. SD-52437-018		SHEET NO. 2 OF 3		SIZE B	
																										THIS DRAWING CONTAINS INFORMATION THAT IS PROPRIETARY TO MOLEX INCORPORATED AND SHOULD NOT BE USED WITHOUT WRITTEN PERMISSION.		EN-02J(097) MXJ-54													

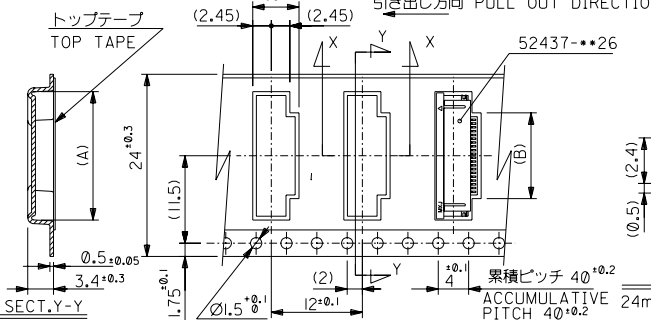
50-52437-018-302

DWG. NO. SD-52437-018



44mm幅キャリアテープ
44mm WIDTH CARRIER TAPE

44	49.4	45.4	22.9	16.3	21.9	52437-3072	30
キャリアテープ幅 CARRIER TAPE WIDTH	E	D	(C)	(B)	(A)	MATERIAL NO.	極数 CIRCUIT



24mm幅キャリアテープ
24mm WIDTH CARRIER TAPE

24	29.4	25.4	11.8	17.4	52437-2172	21
キャリアテープ幅 CARRIER TAPE WIDTH	E	D	(B)	(A)	MATERIAL NO.	極数 CIRCUIT

DO NOT SCALE DRAWING

EC NO. DRWN: CHK: APPR:	EC NO. DRWN: CHK: APPR:	EC NO. DRWN: CHK: APPR:	REVISED '04/02/08 EC NO. J2004-2350 DRWN: NAIDA CHK: K.TOJO APPR: M.SASAO	RELEASED '04/01/08 EC NO. J2004-1850 DRWN: Y.SAKIYAMA CHK: M.SASAO APPR: M.SASAO	DESCRIPTION	MATERIAL 材料	GENERAL TOLERANCES: (UNLESS SPECIFIED) 一般公差	SCALE —	DESIGN UNITS mm INCH	THIRD ANGLE PROJECTION	DIMENSIONS: mm INCH		SHT	REV	
						FINISH 仕上り					10 UNDER 未満 10 OVER 以上 30 UNDER 未満 30 OVER 以上	0.2 +0.25 +0.3	mm INCH	mm INCH	mm ONLY
SHEET 1 OF 3 参照 REFER TO SHEET 1 OF 3						WIRE RANGE 適用電線範囲	ANGLE 角度	DRAWN BY & DATE Y.SAKIYAMA '04/01/08		TITLE: 0.5 FPC Conn Assy ZIF SMT RA With Tape Embstp Pkg -LEAD FREE-		MATERIAL NO. 52437-***72	DRAWING NO. SD-52437-018	SHEET NO. 3 OF 3	SIZE B
INS. RANGE 検査外径						CAD FILENAME SD-52437-018.S03		APPROVED BY & DATE M.SASAO '04/01/08		MOLEX INCORPORATED					

SD-52437-018.S03