

## Excellent Integrated System Limited

Stocking Distributor

Click to view price, real time Inventory, Delivery & Lifecycle Information:

[Amphenol RF](#)  
[81-115N-1000](#)

For any questions, you can email us directly:

[sales@integrated-circuit.com](mailto:sales@integrated-circuit.com)

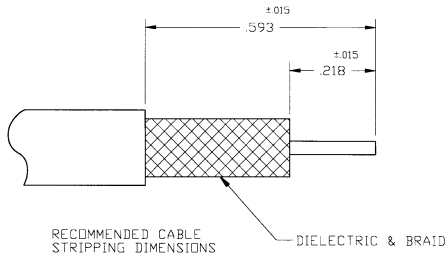
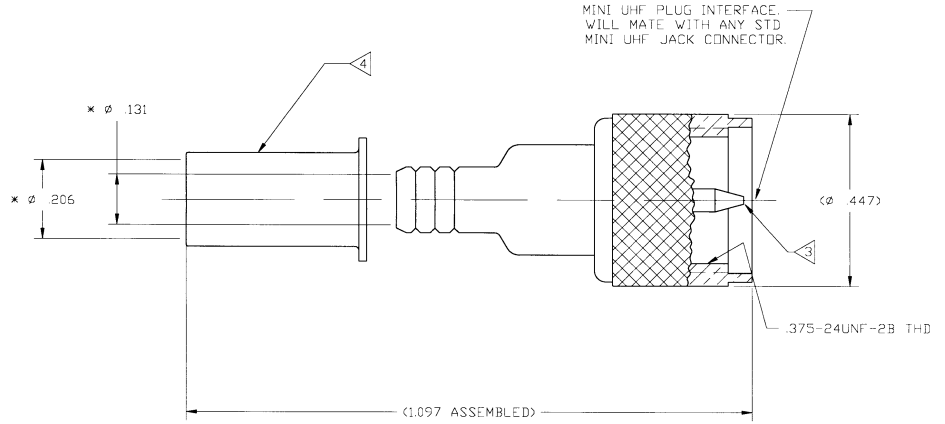


**Distributor of Amphenol RF: Excellent Integrated System Limited**  
**Datasheet of 81-115N-1000 - CONN MINI UHF PLUG 50 OHM CRIMP**

**NOTES:**

1. CENTER CONTACT IS CAPTIVATED AND HAS A  $\times \phi .043$  DIA WIRE ENTRY HOLE.
2. MATERIALS OF CONSTRUCTION:  
 BODY: BRASS, NICKEL PLATED.  
 INSULATOR: PTFE.  
 CENTER CONTACT: BRASS, GOLD PLATED, .000003.  
 COUPLING NUT: BRASS, NICKEL PLATED.  
 FERRULE: COPPER ALLOY, NICKEL PLATED.
3. CRIMP USING AMPHENOL TOOL FRAME 227-944 WITH DIE SET 227-1409, CAVITY "B" .052 SQ DR SOFT SOLDER PER QQ-S-571, COMP Sn60.
4. CRIMP USING AMPHENOL TOOL FRAME 227-944 WITH DIE SET 227-1409, CAVITY "A" .213 HEX.
5. ASTERISK (\*) INDICATES CABLE ENTRY DIMENSIONS.
6. DO NOT SCALE THIS DRAWING.
7. UNLESS OTHERWISE SPECIFIED, ALL DIMENSIONS ARE AFTER PLATING.

81-115N-1000		REVISIONS			
DRAWING NO.	REV	DESCRIPTION	DATE	ECO	APPR
THIRD ANGLE PROJ.	A	RELEASE TO MFG.	5/13/93	39996	RAV
	B	SEE SHEET 1 FOR REVISIONS	6/4/97	42003	CPM



UNLESS OTHERWISE SPECIFIED, DIMENSIONS ARE IN INCHES AND TOLERANCES ARE:  
 2 PLACE DECIMAL ± .015 (0.381 mm)      3 PLACE DECIMAL ± .005 (0.127 mm)      ANGLES ± 1°

NOTICE - These drawings, specifications, or other data (1) are, and remain the property of Amphenol Corp. (2) must be returned upon request; and (3) are confidential and not to be disclosed to any person other than those to whom they are given by Amphenol Corp. The furnishing of these drawings, specifications, or other data by Amphenol Corp., or to any other person to anyone for any purpose is not to be regarded by implication or otherwise in any manner licensing, granting rights or permitting such holder or any other person to manufacture, use or sell any product, process or design, patented or otherwise, that may in any way be related to or disclosed by said drawings, specifications, or other data.

MATERIAL	DRAWN	DATE	TITLE	<b>Amphenol</b> Amphenol Corporation RF/Microwave Operations Danbury, Conn. U.S.A. 06810
	J. MULVEY	3/28/94		
REFERENCE	ENGINEER	DATE	SCALE: 4:1 SHEET 2 OF 2	
	R. VACCARO	5/5/94		
ANTENNA SPECIALISTS EAR 964120-0	APPROVED	DATE	CAD FILE	CODE ID
	J. MULVEY	3/28/94	H:\DEPT6\1\MUHF\081\ASSY\115N\1000SH2	74868
			DWG SIZE	DRAWING NO.
			B	81-115N-1000
				REV
				B