

Excellent Integrated System Limited

Stocking Distributor

Click to view price, real time Inventory, Delivery & Lifecycle Information:

[Molex Connector Corporation](#)
[5009010801](#)

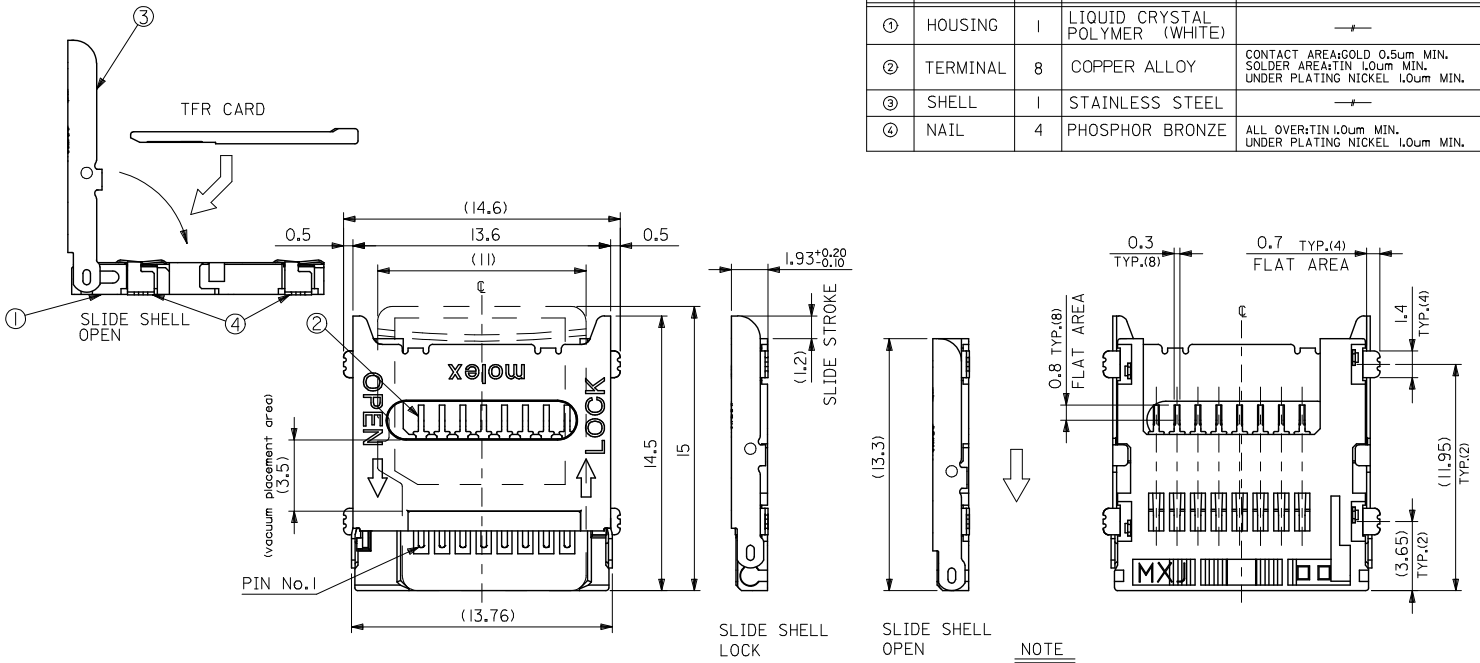
For any questions, you can email us directly:

sales@integrated-circuit.com

10 9 8 7 6 5 4 3 2 1

CONFIDENTIAL

NO.	PARTS DESCRIPTION	QTY	MATERIAL	FINISH
①	HOUSING	1	LIQUID CRYSTAL POLYMER (WHITE)	←
②	TERMINAL	8	COPPER ALLOY	CONTACT AREA: GOLD 0.5μm MIN. SOLDER AREA: TIN 1.0μm MIN. UNDER PLATING NICKEL 1.0μm MIN.
③	SHELL	1	STAINLESS STEEL	←
④	NAIL	4	PHOSPHOR BRONZE	ALL OVER: TIN 1.0μm MIN. UNDER PLATING NICKEL 1.0μm MIN.



NOTE
1. EACH TERMINALS AND NAILS COPLANARITY TO BE 0.1MAX.
2. ELV AND RoHS COMPLIANT.

ORDER No.	500901-0801	500901-08**
CONNECTOR ONLY	500901-0829	
PACKAGE	MATERIAL No.	MODEL No.

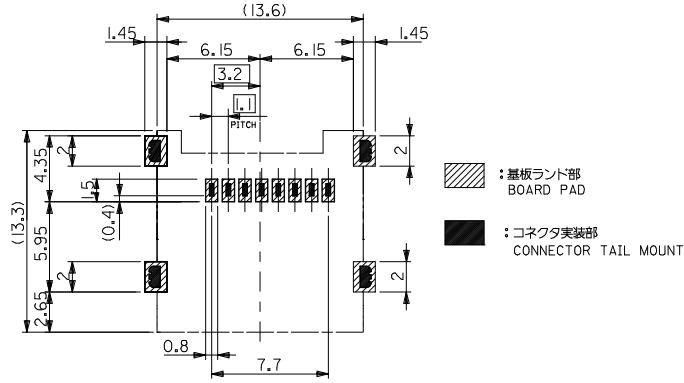
REV	DESCRIPTION	GENERAL TOLERANCES (UNLESS SPECIFIED)			DIMENSION STYLE		SCALE	DESIGN UNITS	THIRD ANGLE PROJECTION
		0.25 UNDER	0.25 OVER	0.5 UNDER	0.5 OVER	MM ONLY			
		±0.03					5:1	METRIC	THIRD ANGLE PROJECTION
		±0.05							
		±0.1							
		±0.2							
		±0.25							
		±0.3							
		±3 °							
		DRAFT WHERE APPLICABLE MUST REMAIN WITHIN DIMENSIONS			SIZE	THIS DRAWING CONTAINS INFORMATION THAT IS PROPRIETARY TO MOLEX INCORPORATED AND SHOULD NOT BE USED WITHOUT WRITTEN PERMISSION			

TFR MEMORY CARD CONN. HINGE TYPE

molex

SEE CHART
DOCUMENT NO. SD-500901-003
SHEET NO. 1 OF 2

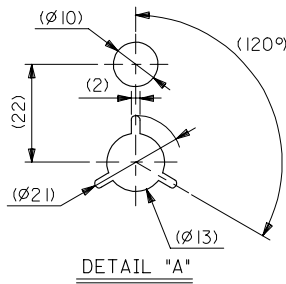
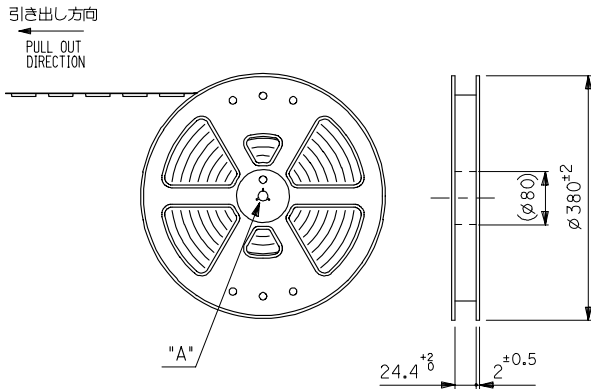
9 8 7 6 5 4 3 2 1



推奨基板寸法(上面図) 一般公差: ±0.05
RECOMMENDED P.C. BOARD LAYOUT(TOP VIEW)
GENERAL TOLERANCES : ±0.05

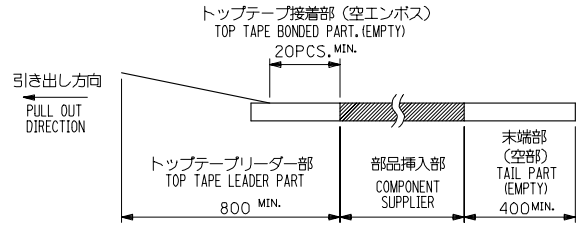
REVISED EC NO: J2015-1023 DRAWN: ISOGAYA CHKD: APPR: MIYATA	GENERAL TOLERANCES (UNLESS SPECIFIED)			DIMENSION STYLE		SCALE	DESIGN UNITS	THIRD ANGLE PROJECTION
				MM ONLY		5:1	METRIC	
	0.25 UNDER	UNDER	±0.03	DRAWN BY	DATE	TITLE		
	0.25 OVER	0.5 UNDER	±0.05	TWATANABE	05/01/21	TFR MEMORY CARD CONN. HINGE TYPE		
0.5 OVER	1.0 UNDER	±0.1	CHECKED BY	DATE				
1.0 OVER	10 UNDER	±---	HTAKASE	05/01/21				
10 OVER	30 UNDER	±---	APPROVED BY	DATE				
30 OVER		±---	JMIYAZAWA	05/01/21				
ANGULAR	±---	°	MATERIAL NO.			DOCUMENT NO.		
DRAFT WHERE APPLICABLE MUST REMAIN WITHIN DIMENSIONS			SEE CHART		SD-500901-003		SHEET NO. 2 OF 2	
THIS DRAWING CONTAINS INFORMATION THAT IS PROPRIETARY TO MOLEX INCORPORATED AND SHOULD NOT BE USED WITHOUT WRITTEN PERMISSION								

10 9 8 7 6 5 4 3 2 1

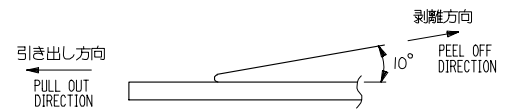


NOTES

- 製品詳細寸法については、SD図面を参照下さい。
THE DETAIL DIMENSIONS REFER TO SALES DRAWING.
- 梱包数量: 1400個/リール
NUMBER OF CONNECTORS: 1400PCS/REEL
- リードテープ長さ LEAD TAPE LENGTH



- トップテープの剥離強度: 0.1N~1.3N (10.2gf~130gf) (剥離方向は下図参照) 尚、本規格値は出荷時に適用。(但し、輸送時に剥離が発生しないこと。)
PEEL FORCE OF TOP TAPE: 0.1N~1.3N (10.2gf~130gf) (PEEL DIRECTION AS SHOWN IN FOLLOWING FIG.) THIS REQUIREMENT SHOULD BE APPLIED AT SHIPMENT. PEEL OFF SHOULD NOT BE ALLOWED, DURING TRANSPORTATION.

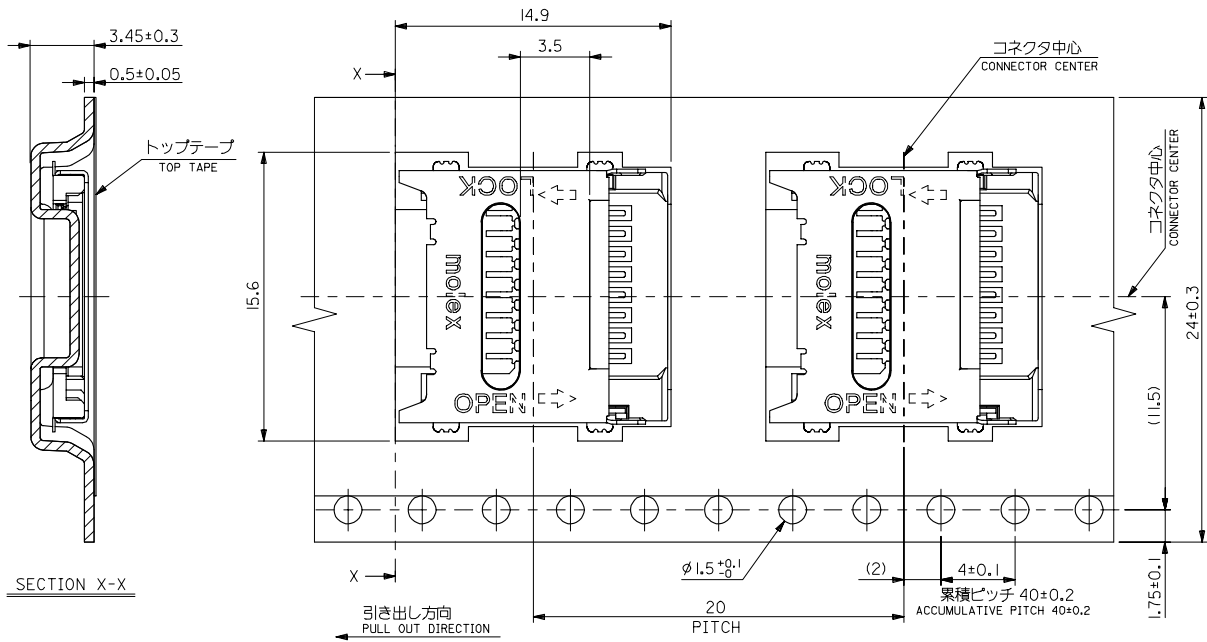


5. 材料 (MATERIAL)

キャリアテープ (CARRIER TAPE): ポリプロピレン (POLYPROPYLENE)
 トップテープ (TOPTAPE): PET, PE, PEF
 リール (REEL): ポリスチレン (PS) <リサイクル材を含む>
 POLYSTYRENE (PS) <RECYCLE MATERIAL CONTAINED>

RELEASED EC NO: J2005-2205 DRINKSETO 2005/02/03 CHIKU: TWATANABE 2005/02/03 APPE: JM YAZAWA 2005/02/08 REV:	GENERAL TOLERANCES (UNLESS SPECIFIED)		DIMENSION STYLE	SCALE	DESIGN UNITS	THIRD ANGLE
	(UNLESS SPECIFIED)		MM ONLY	---	METRIC	PROJECTION
	10 UNDER	±0.2	DRAWN BY	DATE	TITLE	
	10 OVER 30 UNDER	±0.25	TWATANABE	05/01/21	TFR MEMORY CARD CONN. EMBOSSD TAPE PACKAGE	
30 OVER	±0.3	CHECKED BY	DATE	MATERIAL NO.		SHEET NO.
ANGULAR	±3 °	HTAKASE	05/01/21	500901-0801		1 OF 2
DRAFT WHERE APPLICABLE MUST REMAIN WITHIN DIMENSIONS		APPROVED BY	DATE	DOCUMENT NO.		
		JM YAZAWA	05/01/21	SD-500901-004		
		SIZE		THIS DRAWING CONTAINS INFORMATION THAT IS PROPRIETARY TO MOLEX INCORPORATED AND SHOULD NOT BE USED WITHOUT WRITTEN PERMISSION		
		A3				

9 8 7 6 5 4 3 2 1 EN-02JA(021)



RELEASED EC NO: J2005-2205 DRINKSETO 2005/02/03 CHIKO: TWATANABE 2005/02/03 APPR: JM IYAZAWA 2005/02/08	GENERAL TOLERANCES (UNLESS SPECIFIED)		DIMENSION STYLE MM ONLY	SCALE ---	DESIGN UNITS METRIC	THIRD ANGLE PROJECTION	
	10 UNDER 10 OVER 30 UNDER 30 OVER	± --- ± --- ± ---	DRAWN BY TWATANABE	DATE 05/01/21	TITLE TFR MEMORY CARD CONN. EMBOSSED TAPE PACKAGE		
	ANGULAR ± 3°	± ---	CHECKED BY HTAKASE	DATE 05/01/21	MOLEX INCORPORATED		
	DRAFT WHERE APPLICABLE MUST REMAIN WITHIN DIMENSIONS		APPROVED BY JM IYAZAWA	DATE 05/01/21	MATERIAL NO. 500901-0801	DOCUMENT NO. SD-500901-004	SHEET NO. 2 OF 2