



**Distributor of EDAC Inc.: Excellent Integrated System Limited**

Datasheet of 690-004-660-023 - Connector Receptacle USB TypeB 2.0 4 Position Through Hole, Vertical

Contact us: [sales@integrated-circuit.com](mailto:sales@integrated-circuit.com) Website: [www.integrated-circuit.com](http://www.integrated-circuit.com)

---

## **Excellent Integrated System Limited**

Stocking Distributor

Click to view price, real time Inventory, Delivery & Lifecycle Information:

[EDAC Inc.](#)

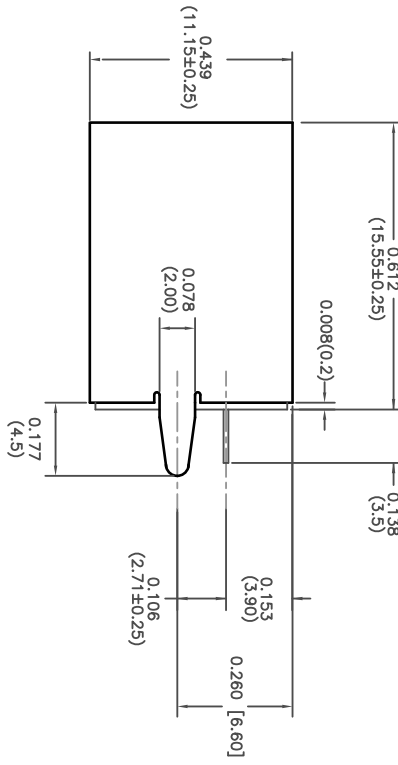
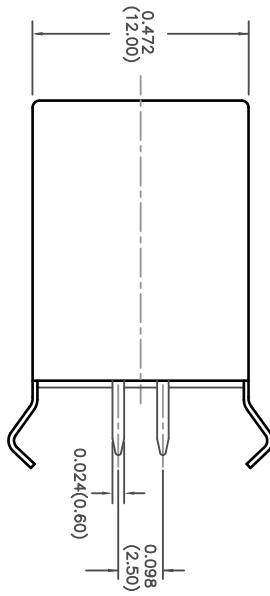
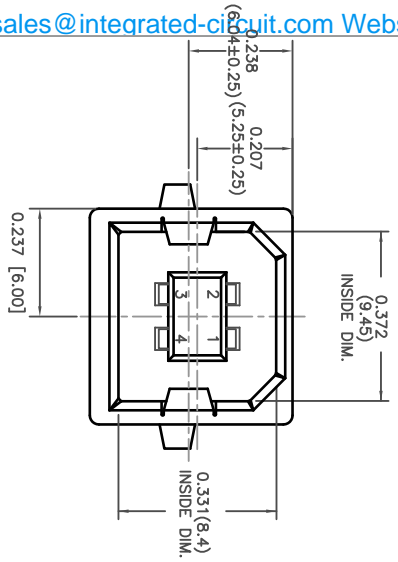
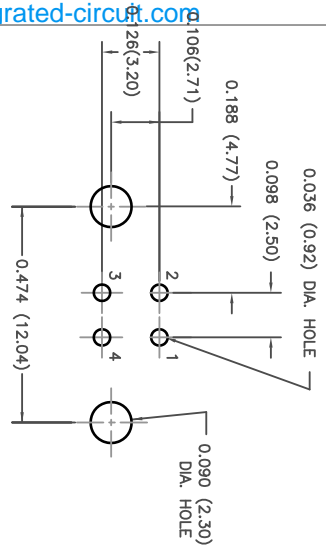
[690-004-660-023](#)

For any questions, you can email us directly:

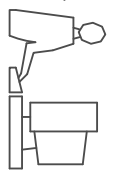
[sales@integrated-circuit.com](mailto:sales@integrated-circuit.com)

Contact us: sales@integrated-circuit.com Website: www.integrated-circuit.com

PC BOARD MOUNTING DIMENSIONS



THIS IS A C.A.D. GENERATED DRAWING  
DO NOT MAKE MANUAL REVISIONS TO MASTER.



TOLERANCE:

XX	IN	MM
:.XX	:±0.01	:.XX
:.XXX	:±0.006	:.XX
:.XXXX	:±0.002	:.XXX
		:.XXX
		:±0.05

ISSUE NUMBER	
ORIGINAL	①
DIM: 0.612(15.55) WAS 0.63(16.0)	
0.439(11.15) WAS 0.445(11.30)	
0.153(3.90) WAS 0.146(3.70)	⑥
ADD DIM: 0.238(6.04), 0.207(5.25)	
0.177(4.5), 0.078(2.0), 0.024(0.60)	
RSTAMONICA	JUN.10/2010

MATERIAL:  
HOUSING: PBT GLASS FILLED, WHITE COLOR  
CONTACTS: PHOSPHOR BRONZE, GOLD PLATED ON CONTACT AREA WITH TIN PLATING ON TAIL  
SHELL: BRASS, NICKEL PLATED  
BOTTOM COVER: PBT GLASS FILLED WHITE COLOR  
CONTACT PLATING GOLD PLATING PART NO.  
GOLD FLASH 690-004-260-023  
15 MICRONS OF GOLD 690-004-360-023  
30 MICRONS OF GOLD 690-004-660-023

PART NUMBER: 690-004-260-023

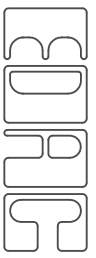
CONTACT CODE \_\_\_\_\_

- SPECIFICATIONS:
1. CONTACT RESISTANCE: 30 MOHM MAX
  2. INSULATION RESISTANCE: 1000MOHM MIN AT 500VDC
  3. RATED VOLTAGE AND CURRENT: 1.5A @ 250VAC MIN.
  4. DIELECTRIC WITHSTANDING VOLTAGE: 500VAC (RMS) FOR 1MIN
  5. INSERTION FORCE: 35N MIN
  6. EXTRACTION FORCE: 10N MIN



THIS SERIES FULLY CONFORMS TO THE  
EUROPEAN UNION DIRECTIVES 2002/95/EC  
AND 2002/96/EC FOR ROHS COMPLIANCY.

USB CONNECTOR B TYPE, VERTICAL, SINGLE DECK



EDAC INC  
TORONTO, ONTARIO  
CANADA

YOUR CONNECTION TO QUALITY & SERVICE

THESE DRAWINGS AND SPECIFICATIONS ARE THE PROPERTY OF EDAC INC., AND SHALL NOT BE REPRODUCED, OR COPIED OR USED AS THE BASIS FOR THE MANUFACTURE OR SALE OF APPARATUS WITHOUT WRITTEN PERMISSION.

ACAD REFERENCE NO.	690-004-260-023
DRAWN: J.CHOW	DATE: OCT 16/98
CHECKED:	DATE:
SCALE: (IN C.A.D. 1:1)	SHEET 1 OF 1
DRAWING NUMBER	ISSUE
690-004-260-023	6