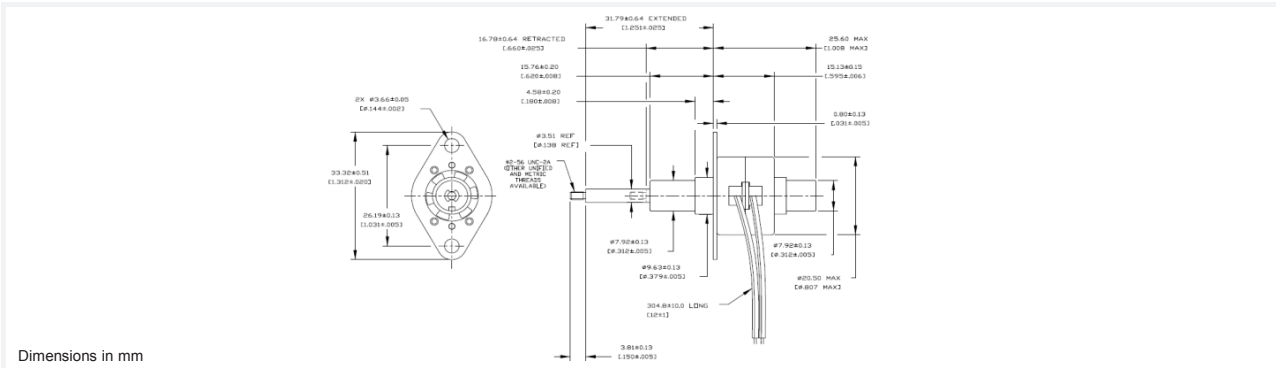


20DAM-K

RoHS Compliant

Ø20mm

30.6 N



Dimensions in mm

20DAM-K

Electrical Data	20DAMXXD1B-K Bipolar	20DAMXXD2B-K Bipolar	20DAMXXD1U-K Unipolar	20DAMXXD2U-K Unipolar	
1 Operating Voltage	5	12	5	12	VDC
2 Resistance per Phase, ± 10%	20.0	115.2	20.0	115.2	Ohms
3 Inductance per Phase, typ	7.2	40.8	3.8	20.3	mH
4 Rated Current per Phase *	0.25	0.10	0.25	0.10	A
Coil independent parameters					
XX					
5 Max. Holding Force	@ .001" (0.0254mm)	30.6 (110)		20.9 (75)	N (oz)
	@ .002" (0.0508mm)	20.9 (75)		13.9 (50)	N (oz)
	@ .004" (0.1016mm)	11.1 (40)		8.3 (30)	N (oz)
6 Min. Holding Force (Unenergized)	@ .001" (0.0254mm)		55.6 (200)		N (oz)
	@ .002" (0.0508mm)		11.1 (40)		N (oz)
	@ .004" (0.1016mm)		2.8 (10)		N (oz)
7 Maximum Travel	@ .001" (0.0254mm)		15 (0.59)		mm (in)
	@ .002" (0.0508mm)		15 (0.59)		mm (in)
	@ .004" (0.1016mm)		15 (0.59)		mm (in)
8 Step Angle			15 ± 1		Degree
9 Steps per Revolution			24		
10 Ambient Temperature Range (operating)		-20 to +70 (-4 to +158)			°C (°F)
11 Maximum Coil Temperature		130 (266)			°C (°F)
12 Bearing Type		Ball Bearing			
13 Insulation Resistance at 500 VDC		20			Mohms
14 Dielectric Withstanding Voltage		650 for 2 seconds			VAC
15 Weight		25 (0.88)			g (oz)
16 Leadwire		AWG #28, UL1429 (80° C, 150 V)			

All Motor Data Values at 20°C Unless Otherwise Specified

* Energize at Rated Current, 2 Phase On

