

Excellent Integrated System Limited

Stocking Distributor

Click to view price, real time Inventory, Delivery & Lifecycle Information:

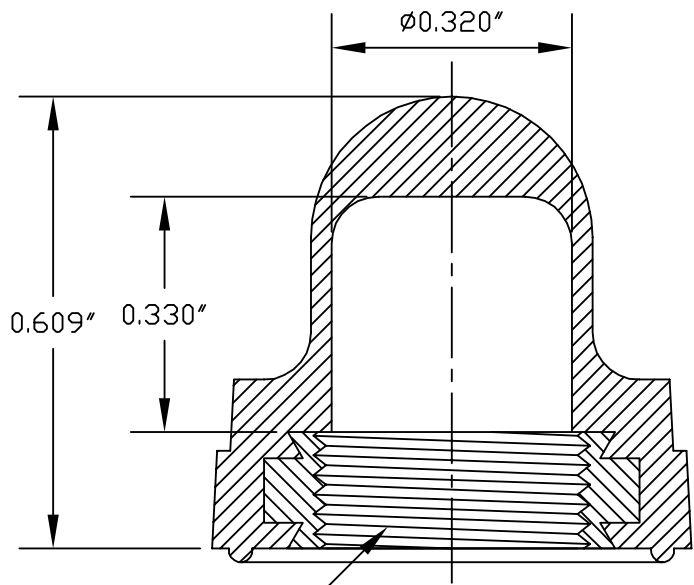
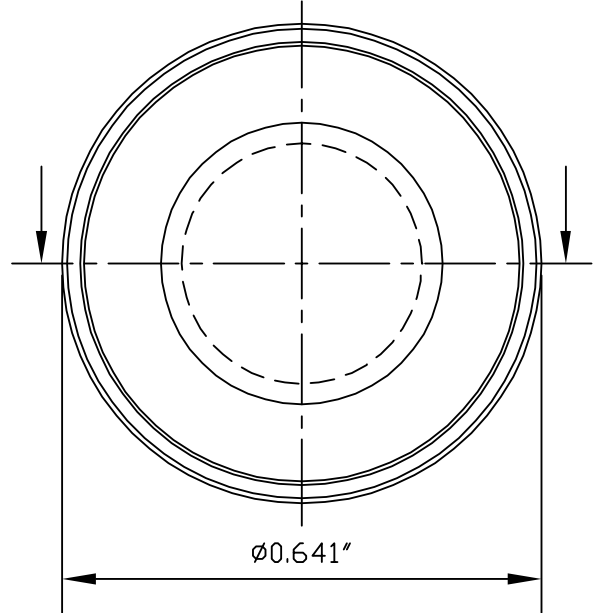
[APM Hexseal](#)
[1221/12 29](#)

For any questions, you can email us directly:

sales@integrated-circuit.com

SPECIFICATIONS

Material: HEXSEALS: Silicone rubber conforms to A-A-59588 Class III, GR 60 unless otherwise specified.
Mounting Nut: HEXSEALS: ALUMINUM INSERT
Temperature Range: HEXSEALS: -94°F to +400°F
Pressure Range: Exceeds 15 psi internal and 1500 psi external.
Operational Life: 50,000 actuations (minimum).
Shelf Life: Excess of 25 years.
Resistant to: Salt spray, sunlight, ozone, weather, fungus, and most acids and lubricating oils



THREAD 3/8-27NS-2B

B	REDRAWN AND MAT'L CHANGED	S. GOK	04.03.09
A	CAD COMPUTER GENERATED		09.23.02
REV.	DESCRIPTION	DATE	
	BOOT-PLUNGER (1221/12)	ENG. DWN.	CARBONE 05.13.69
		CHKD.	NICK 05.13.69
MAXIMUM AND MINIMUM MEASUREMENTS ARE STATED DIRECTLY ON EACH DIMENSION.		SCALE	DWG. NO. (1221/12) HEXSEAL®
MAT'L: Silicone Rubber A-A-59588, Gr.60		4 : 1	
APM-HEXSEAL CORPORATION			
FINISH:			

THIS DRAWING COVERS PROPRIETARY ITEM AND IS THE PROPERTY OF THE APM-HEXSEAL CORPORATION.
 THIS DRAWING IS NOT TO BE COPIED OR USED WITHOUT THE WRITTEN APPROVAL OF AN OFFICER OF THE APM-HEXSEAL CORPORATION.