

Excellent Integrated System Limited

Stocking Distributor

Click to view price, real time Inventory, Delivery & Lifecycle Information:

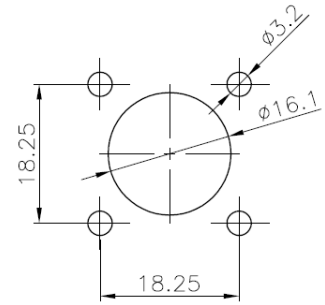
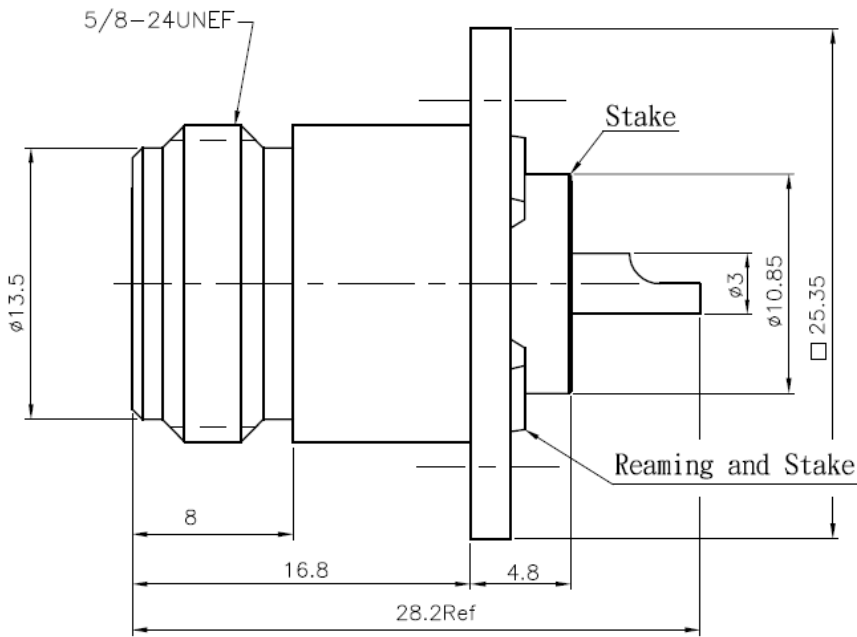
[Cinch Connectivity Solutions](#)
[26-8011](#)

For any questions, you can email us directly:

sales@integrated-circuit.com



DESCRIPTION: CPAD801 N (F) TO LUG, FLANGE MNT
 MODEL NUMBER: 26-8011
 APPLICATION: ADAPTER
 CRIMP TOOL: N/A
 IMPEDANCE: N/A
 FREQUENCY RANGE: N/A
 MATERIAL: BODY BRASS NICKEL PLATED
 INSULATOR POM
 CONTACT BRASS NICKEL PLATED
 RoHS COMPLIANCE: YES
 TECHNICAL DETAIL: REFER TO EMERSON DOCUMENT P/N 26-0000



Recommend Mounting Hole

		AIM-Cambridge	
	RoHS <input checked="" type="checkbox"/> 2002/95/EC	Title: N Type 4 Hole Flange MT Jack Receptacle	
<small>This PROPRIETARY Document is property of Cinch Connectivity Solutions. It is confidential in nature, non-transferable, and understanding that it is not to be used or copied without permission and is returned upon demand.</small>	<small>UNLESS OTHERWISE SPECIFIED:</small> UNITS: METRIC .XX ±.51 .XXX ±.127 ANGLES ±2°	Model No. 26-8011	Size A
<small>INTERPRET DRAWING IN ACCORDANCE WITH ASME Y14.5-2009.</small>	DO NOT SCALE DRAWING	Date: 8/14/2013	Sheet 1 of 1