

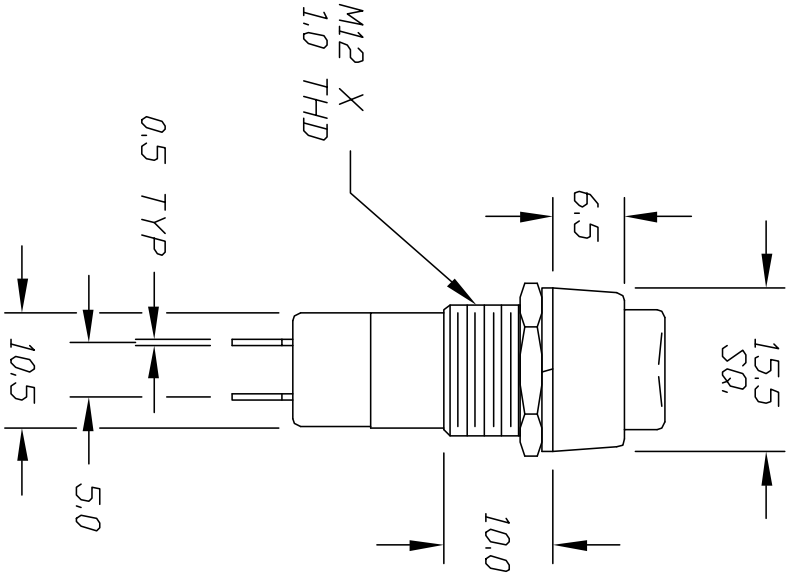
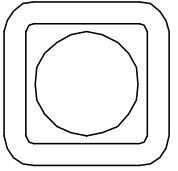
## Excellent Integrated System Limited

Stocking Distributor

Click to view price, real time Inventory, Delivery & Lifecycle Information:

[E-Switch](#)  
[PS1023ABLK](#)

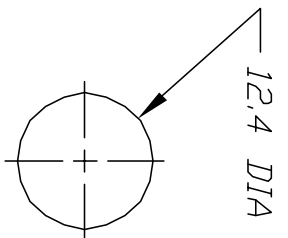
For any questions, you can email us directly:  
[sales@integrated-circuit.com](mailto:sales@integrated-circuit.com)



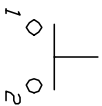
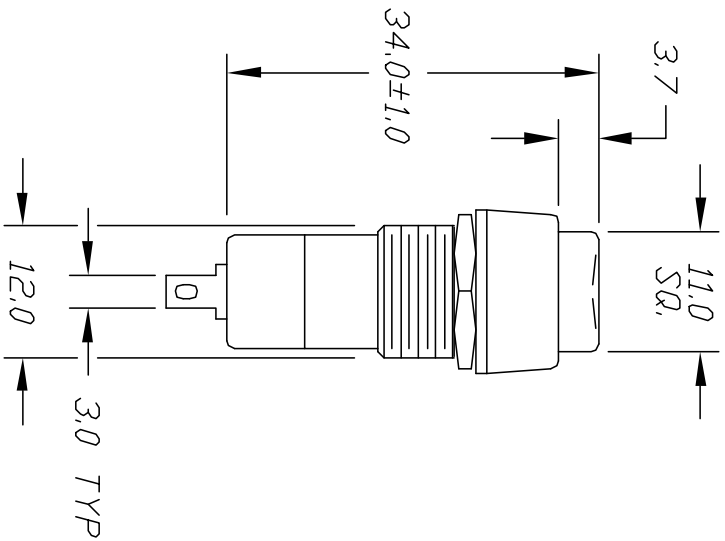
NOTES:

1. ALL DIMENSIONS IN MM
2. TERM. NOS. FOR REF ONLY

REV.	DESCRIPTION	DATE	CHKD
THE INFORMATION CONTAINED IN THIS DOCUMENT IS PROPRIETARY TO E-SWITCH AND IS NOT TO BE COPIED OR TRANSFERRED			



PANEL LAYOUT



CONTACT CONFIGURATION



TOLERANCES

0.0	±0.4
0.00	±0.25

TITLE		SCALE	DATE	DR	DWG
<b>E-SWITCH</b>		1.5:1	12/13/94	SS	F010231
PS 1023A					