



**Distributor of Molex Connector Corporation: Excellent Integrated System Limited**  
Datasheet of 47500-0000 - Connector Receptacle USB TypeA 4 Position Through Hole, Right  
Angle, Vertical

Contact us: [sales@integrated-circuit.com](mailto:sales@integrated-circuit.com) Website: [www.integrated-circuit.com](http://www.integrated-circuit.com)

---

## **Excellent Integrated System Limited**

Stocking Distributor

Click to view price, real time Inventory, Delivery & Lifecycle Information:

[Molex Connector Corporation](#)  
[47500-0000](#)

For any questions, you can email us directly:  
[sales@integrated-circuit.com](mailto:sales@integrated-circuit.com)

NOTES :

1. MATERIAL :

HOUSING : HIGH TEMPERATURE NYLON ,GLASS FIBER, UL94-V0 , COLOR: BLACK  
 TERMINAL : PHOSPHOR BRONZE  
 METAL SHELL : COPPER ALLOY

2. PLATING :

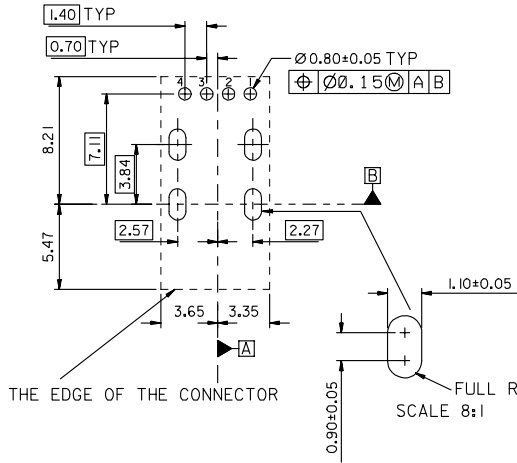
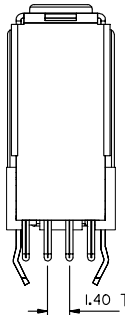
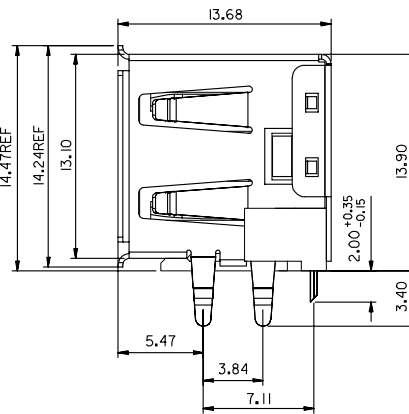
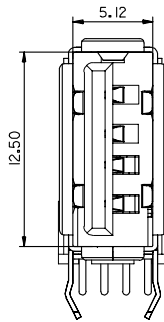
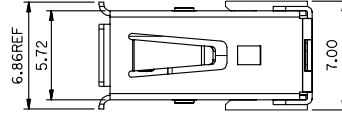
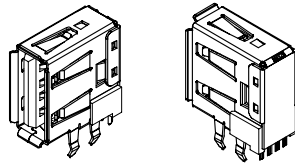
TERMINAL :

CONTACT AREA : (a) GOLD FLASH,  
 (b) GLD (Au), THICKNESS = 30 MICROINCH/0.76 MICROMETER  
 SOLDER TAIL : PURE TIN(Sn), THICKNESS= 75 MICROINCH /1.9 MICROMETER

UNDER PLATE : NICKEL (Ni), THICKNESS= 50 MICROINCH/1.27 MICROMETER  
 METAL SHELL : PURE TIN(Sn), THICKNESS=50-100MICROINCH /1.27-2.54MICROMETER.

UNDER PLATE : NICKEL (Ni), THICKNESS= 50 MICROINCH/1.27 MICROMETER

3 RECOMMENDED PCB THICKNESS : 1.20±0.05mm & 1.60±0.05 mm  
 4 PRODUCT SPECIFICATION : REFER TO PS-89485  
 5 PACKAGING SPECIFICATION : REFER TO PK-67329-001



PART NUMBER LEGEND:

P/N	CONTACT PLATING
47500-0000	GOLD FLASH
47500-0001	0.76 MICROMETER/30 MICROINCH GOLD

NEW RELEASE	EC NO. DAVID HJ 2004/11/13 CHKD HARVEY 2004/11/13 APPR	DESCRIPTION	QUALITY SYMBOLS	GENERAL TOLERANCES (UNLESS SPECIFIED):	SCALE 4:1	DESIGN UNITS	THIRD ANGLE PROJECTION	DIMENSIONS:		
			MAJOR	mm	INCH	mm		INCH	SHT	REV
			CRITICAL	±0.25	±0.10	mm ONLY		INCH ONLY	REVISE ON	CAD ONLY
			∇	±0.25	±0.10					
REV	A		ANGULAR ±3°	DRAFT WHERE APPLICABLE MUST REMAIN WITHIN DIMENSIONS	DRAWN BY & DATE DAVID HJ 2004/11/13	CHECKED BY & DATE HARVEY 2004/11/13	TITLE: USB <sup>®</sup> A* UP-RIGHT CONNECTOR FLANGE OUT TYPE (LEAD-FREE)			
					APPROVED BY & DATE VINCENT 2004/11/13		MOLEX INCORPORATED			
					CAD FILENAME SD4750002S01	MATERIAL NO. 47500-000*	DRAWING NO. SD-47500-002	SHEET NO. 1 OF 1		
					THIS DRAWING CONTAINS INFORMATION THAT IS PROPRIETARY TO MOLEX INCORPORATED AND SHOULD NOT BE USED WITHOUT WRITTEN PERMISSION.			SIZE A3		

ENG. NO.  
EDP NO.  
SIMILAR ITEM  
CADFILE NO.  
DO NOT SCALE DRAWING

F  
E  
D  
C  
B  
A

