



**Distributor of Molex Connector Corporation: Excellent Integrated System Limited**  
Datasheet of 0534620629 - Connector Receptacle Firewire (IEEE 1394) 6 Position Surface  
Mount, Right Angle, Horizontal

Contact us: [sales@integrated-circuit.com](mailto:sales@integrated-circuit.com) Website: [www.integrated-circuit.com](http://www.integrated-circuit.com)

---

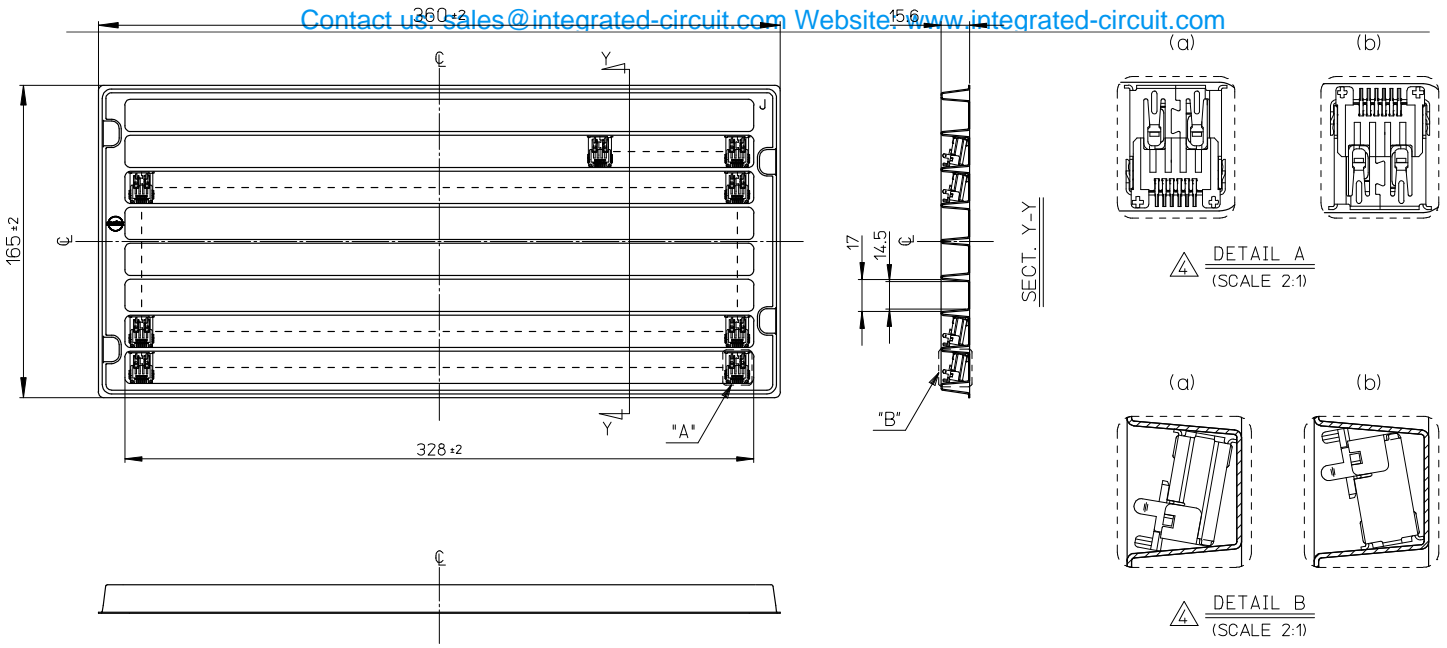
## **Excellent Integrated System Limited**

Stocking Distributor

Click to view price, real time Inventory, Delivery & Lifecycle Information:

[Molex Connector Corporation](#)  
[0534620629](#)

For any questions, you can email us directly:  
[sales@integrated-circuit.com](mailto:sales@integrated-circuit.com)



注記

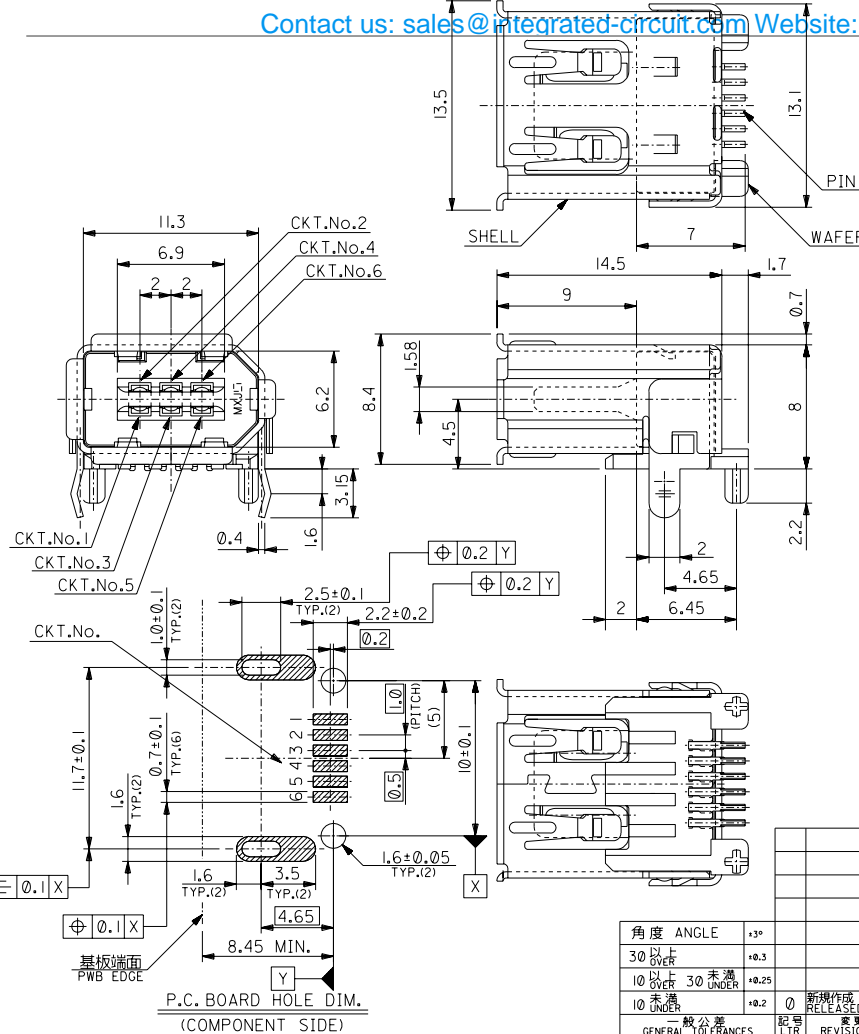
1. 一般公差: ±0.5  
GENERAL TOLERANCES: ±0.5
  2. 各部の反りは2.0MAX.  
WARP 2.0MAX.
  3. 梱包数: 150個  
PACKAGING QUANTITY: 150PCS.
- △ トレイ中の製品の向きは (a) 又は (b) とし、かつ同一トレイ中の製品の向きはどちらか一方で統一  
PRODUCT DIRECTION SHOULD BE (a) OR (b). ALL PRODUCTS MUST FACED THE SAME DIRECTION IN THE TRAY.

53462-0629  
適用製品番号  
APPLICABLE PART No.

RELEASED EC NO: J2008-3804 DRWN: Y.TOKUZONO 2008/05/01 CHKD: T.HARUYAMA 2008/05/01 APPR: N.UKITA 2008/05/01 0	GENERAL TOLERANCES (UNLESS SPECIFIED)		DIMENSION STYLE MM ONLY	SCALE 1:2	DESIGN UNITS METRIC	THIRD ANGLE PROJECTION	
	10 UNDER	±---	DRAWN BY Y. TOKUZONO	DATE 2008/4/28	TITLE TRAY FOR 53462 (2.0 I/O FLAT SMT WAFER ASS'Y) MOLEX INCORPORATED MATERIAL NO. 098910030 DOCUMENT NO. SD-53462-001 SHEET NO. 1 OF 1		
	10 OVER	±---	CHECKED BY T. HARUYAMA	DATE 2008/4/28			
	30 OVER	±---	APPROVED BY N. UKITA	DATE 2008/4/28			
0	ANGULAR ±---°	DRAFT WHERE APPLICABLE MUST REMAIN WITHIN DIMENSIONS	SIZE A3	THIS DRAWING CONTAINS INFORMATION THAT IS PROPRIETARY TO MOLEX INCORPORATED AND SHOULD NOT BE USED WITHOUT WRITTEN PERMISSION			

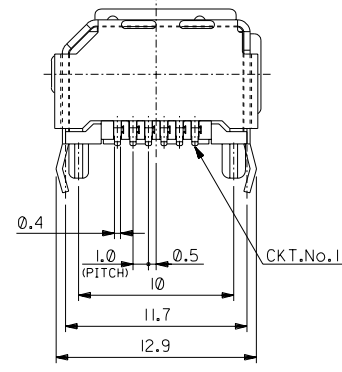
Contact us: sales@integrated-circuit.com Website: www.integrated-circuit.com

DWG. NO. SD-53462-010  
E  
D  
C  
B  
A  
DIMENSIONS IN METRIC DO NOT SCALE DRAWING



部品名 PARTS NAME	材質 MATERIAL	注記 NOTES
ワフェル WAFER	カフホウ46 (F1) 10 NYLON46 G.F.	G.F.30%, UL94V-0, 色:黒 G.F.30%, UL94V-0, COLOR : BLACK
ピン PIN	黄銅 t0.25 BRASS t0.25	接点部 : 金メッキ0.76µmMIN. CONTACT AREA : GOLD 0.76 MICROMETER MIN. 半田付け部: 錫メッキ1.0µmMIN. SOLDER TAIL AREA : TIN 1.0 MICROMETER MIN. 下地メッキ: ニッケルメッキ2.0µmMIN. UNDER-PLATING : NICKEL 2.0 MICROMETER MIN.
シェル SHELL	りん青銅 t0.4 PHOSPHOR BRONZE t0.4	錫メッキ: 1.0µmMIN. TIN : 1.0 MICROMETER MIN. 下地メッキ: ニッケルメッキ1.27µmMIN. UNDER-PLATING : NICKEL 1.27 MICROMETER MIN.

本製品は53462-\*\*21の鉛フリー品である。  
 THIS PRODUCT IS LEAD FREE OF 53462-\*\*21.



53462-0629	6
MATERIAL NO.	CIRCUIT
MODEL NO.	53462-**29
MOLEX-JAPAN CO.,LTD. 日本モレックス株式会社	
REVISE ONLY ON CAD SYSTEM	
TITLE 名称 2.0 I/O CONN. SOCKET RIGHT-ANGLE FLAT WITH KINK -LEAD FREE-	
DWG. NO.	REV
SD-53462-010	0

角度 ANGLE	公差 TOLERANCE
30°以上 OVER	+3°
10°以上 30°未満 UNDER	+0.5
10°未満 UNDER	+0.25
一般公差 GENERAL TOLERANCES	+0.2

材料 MATERIAL	表参照 SEE TABLE
仕上げ FINISH	表参照 SEE TABLE
適用電線範囲 WIRE RANGE	—
被覆外径 INS. RANGE	—
DRAWN BY '04/05/19	CHK'D BY '04/05/19
Y.WADA	M.SASAO
APP'D BY '04/05/19	尺度 SCALE
M.SASAO	4:1

THIS DRAWING CONTAINS INFORMATION THAT IS PROPRIETARY TO MOLEX/JAPAN AND SHOULD NOT BE USED WITHOUT WRITTEN PERMISSION  
 本図面は日本モレックス(株)の所有する情報を含むもので当社の許可なく複製を禁止する。  
 EN-01C(032)MXJ-32