

## Excellent Integrated System Limited

Stocking Distributor

Click to view price, real time Inventory, Delivery & Lifecycle Information:

[TE Connectivity AMP Connectors](#)  
[520250-2](#)

For any questions, you can email us directly:

[sales@integrated-circuit.com](mailto:sales@integrated-circuit.com)

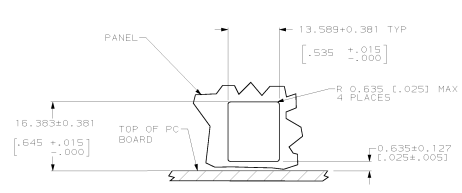
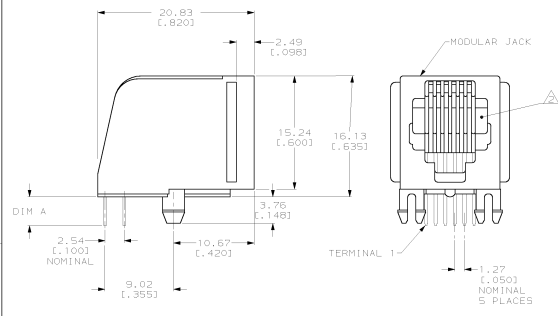


# Distributor of TE Connectivity AMP Connectors: Excellent Integrated System Limited

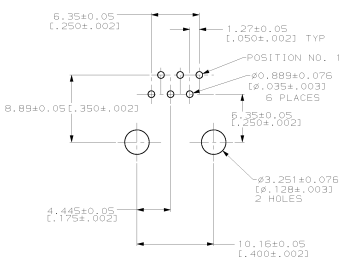
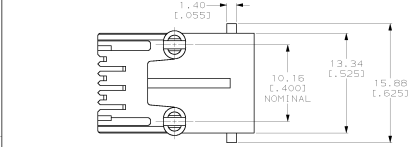
## Datasheet of 520250-2 - CONN MOD JACK 6P4C R/A UNSHLD

6	7	6	5	4	3	2	1
REVISION 13	REVISION 12	REVISION 11	REVISION 10	REVISION 9	REVISION 8	REVISION 7	REVISION 6

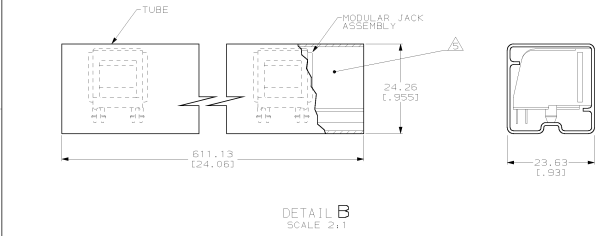
REV	DATE	BY	CHKD	REVISION
AA	22			
1				REVISED PER EC 0511-0016-02
2				270802 (LO) (S)



PANEL CUTOUT SCALE 2:1



PRINTED CIRCUIT BOARD LAYOUT SCALE 2:1



DETAIL B SCALE 2:1

- ⚠ MATERIAL, HOUSING - PBT POLYESTER
- ⚠ TERMINAL - 0.35 [.014] THICK PHOS-BRONZE PLATED WITH 1.27µm (.000050) THICK HARD SOLDER IN LOCALIZED GOLD PLATE AREA AND 2.03µm (.000080) THICK TIN-LEAD IN SOLDER AREA OVER 1.27µm (.000050) THICK NICKEL UNDERPLATE.
- ⚠ CAVITY CONFORMS TO FCC RULES AND REGULATIONS PART 68 AND REA BULLETIN 345-81, PE-76 SPECIFICATION FOR MODULAR TELEPHONE HARDWARE.
- ⚠ DIMENSIONS ARE MAXIMUM UNLESS OTHERWISE SPECIFIED.
- ⚠ BULK PACKAGED IN A TRAY.
- ⚠ PACKAGED 36 ASSEMBLIES PER TUBE WITH BOTH ENDS CLOSED. SEE DETAIL B.
- ⚠ TERMINALS FOR 520250-1, -2, -4, -8, -9, AND -1/1 LOCATED IN CENTER POSITIONS.

SUPERSEDED BY 520250-9  
 SUPERSEDED BY 520250-3  
 SUPERSEDED BY 520250-2

2.16-2.67 [.085-.105]	⚠	BLACK	4	⚠	1-520250-1
		BLACK	4	⚠	520250-9
		BLACK	4	⚠	520250-8
		PEBBLE GRAY	4	⚠	520250-7
3.30-4.33 [.130-.170]	⚠	PEBBLE GRAY	4	⚠	520250-4
		BLACK	6	⚠	520250-3
		BLACK	4	⚠	520250-2
		BLACK	2	⚠	520250-1
DIM A	PACKAGED	COLOR	TERMINALS REQUIRED	PART NUMBER	
THIS DRAWING IS A CONTROLLED DOCUMENT.		REV. 1	DATE 05-11-02	BY TCD	ECN 000000
INCHES		REV. 1	DATE 05-11-02	BY TCD	ECN 000000
MATERIAL		REV. 1	DATE 05-11-02	BY TCD	ECN 000000
FINISH		REV. 1	DATE 05-11-02	BY TCD	ECN 000000
CUSTOMER DRAWING		REV. 1	DATE 05-11-02	BY TCD	ECN 000000