

## Excellent Integrated System Limited

Stocking Distributor

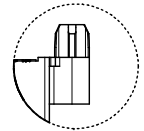
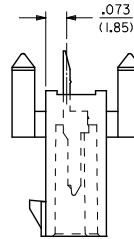
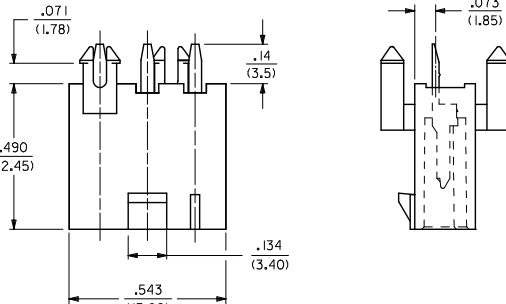
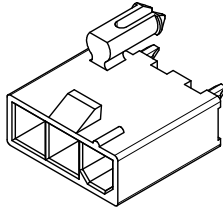
Click to view price, real time Inventory, Delivery & Lifecycle Information:

[Molex Connector Corporation](#)  
[0039302037](#)

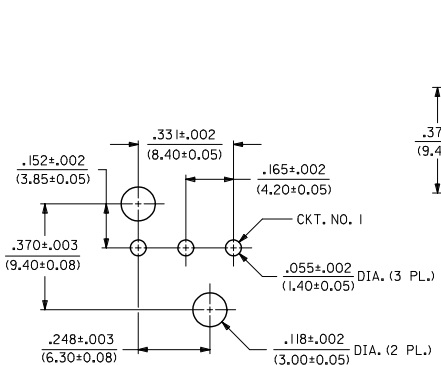
For any questions, you can email us directly:

[sales@integrated-circuit.com](mailto:sales@integrated-circuit.com)

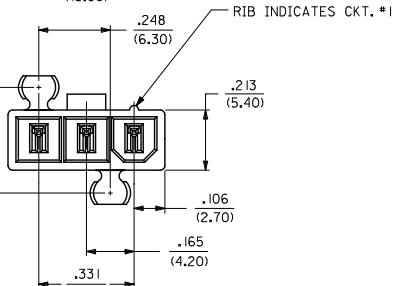
- NOTES:
- MATERIALS:  
HOUSING:  
\*BLANK\*=NYLON 6/6, UNFILLED UL94 V-2, COLOR: NATURAL  
\*130\*=GLASS FILLED LCP, UL94 V-0, COLOR: NATURAL  
\*210\*=NYLON 6/6, UNFILLED UL94 V-0, COLOR: NATURAL  
\*400\*=NYLON 6/6, UNFILLED UL94 V-0, COLOR: BLACK  
TERMINALS:  
BRASS  
2. TERMINAL PLATING:  
\*BLANK\*=.000035/(0.00090) MIN. BRIGHT TIN OVER  
.000020/(0.00050) MIN. COPPER  
GS2=.00015/(0.00038) MIN. SELECT GOLD AND  
.000100/(0.00254) MIN. SELECT MATTE TIN  
OVER .000050/(0.00127) MIN. NICKEL OVERALL  
GS=.000030/(0.00076) MIN. SELECT GOLD AND  
.000100/(0.00254) MIN. SELECT MATTE TIN  
OVER .000050/(0.00127) MIN. NICKEL OVERALL  
S=.000100/(0.00254) MIN. BRIGHT TIN OVER  
.000050/(0.00127) MIN. NICKEL  
MS=.000100/(0.00254) MIN. MATTE TIN OVER  
.000050/(0.00127) MIN. NICKEL  
3. PRODUCT SPECIFICATION: PS-5556-001  
4. PACKAGING: TRAY PACKED PER PK-5566-002  
5. PART MATES WITH MINI-FIT JR. RECEPTACLE NO. 5557.  
6. ALL DIMENSIONS ARE REFERENCE UNLESS OTHERWISE  
SPECIFIED.  
7. PART IS NOT DESIGNED FOR CURRENT SHARING.  
8. PARTS ARE NOT TO BE MATED OR UN-MATED WHILE  
CIRCUITS ARE LIVE.  
9. PART CONFORMS TO CLASS "B" REQUIREMENTS OF  
COSMETIC SPECIFICATION PS-45499-002.



PRESS FIT PEG OPTION



RECOMMENDED HOLE LAYOUT FOR  
.070/(1.78) MAX. THICK P. C. BOARD



LEGEND

5566-03A3\*-\*\*\*

BASE NO. \_\_\_\_\_

CIRCUIT SIZE \_\_\_\_\_

MOUNTING \_\_\_\_\_  
3 = SNAP FIT PEGS  
15 = PRESS FIT PEGS

PLATING \_\_\_\_\_  
(SEE NOTE 2)

HOUSING MATERIAL \_\_\_\_\_  
(SEE NOTE 1)

ADD MS P/N'S EC NO: UCF2016-0302 DRAWN BY: JMM CHKD: BELL APPROVED BY: SMITH DATE: 2015/07/20 DATE: 2015/07/20 DATE: 2015/07/23	QUALITY SYMBOLS 	GENERAL TOLERANCES (UNLESS SPECIFIED)		DIMENSION STYLE IN/MM		SCALE 4:1	DESIGN UNITS METRIC	THIRD ANGLE PROJECTION	
		4 PLACES ± --- ± ---	3 PLACES ± --- ± .010	DRAWN BY GEP	DATE 1990/06/07	TITLE MINI-FIT JR. VERT. HDR. ASSY. W/PEGS (SINGLE ROW)			
		2 PLACES ± 0.25 ± .020	1 PLACE ± 0.50 ± ---	CHECKED BY RJF	DATE 1990/06/07	APPROVED BY DATE 2012/09/05			
		0 PLACE ± --- ± ---	ANGULAR ± 1/2°	MATERIAL NO. SEE CHART	DOCUMENT NO. SDA-5566-03*3*	SHEET NO. 1 OF 1			