

Excellent Integrated System Limited

Stocking Distributor

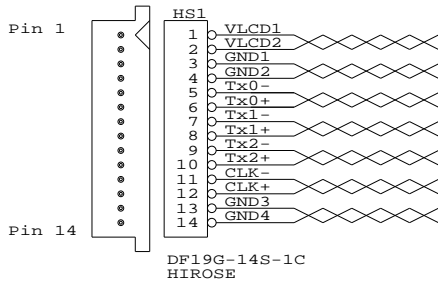
Click to view price, real time Inventory, Delivery & Lifecycle Information:

[Digital View Inc.](#)
[426472300](#)

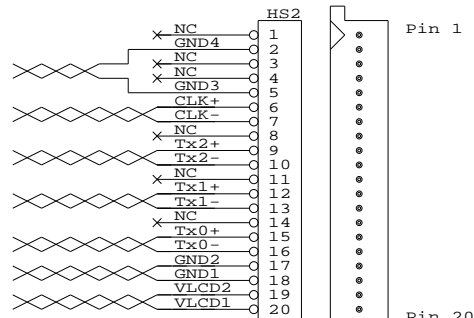
For any questions, you can email us directly:

sales@integrated-circuit.com

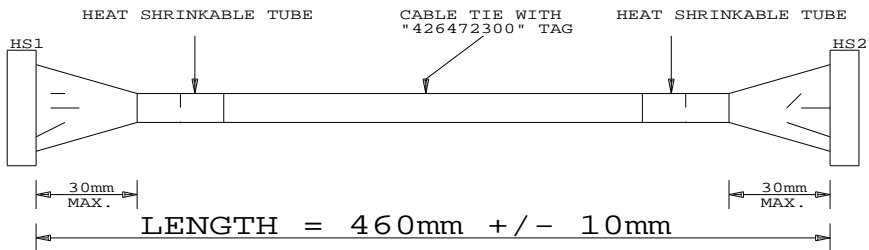
TOLERANCE :
+10mm
-10mm



DF19G-14S-1C
HIROSE



DF14-20S-1.25C
HIROSE



CABLE: SHIELDED ROUND

UL 20276, 7 PAIRS, 30AWG, L=460mm

JACKET: PVC COLOR BLACK

USAGE:
FOR SAMSUNG LTN104S1-L01 10.4" SVGA PANEL

P/N 4264723-00

LVDS PANEL CABLE:

ROUND PAIRED FOR SVGA LVDS PANEL, 460mm

DIGITAL VIEW LTD.
COPYRIGHT 2002, ALL RIGHTS RESERVED
CONFIDENTIAL

DRAWN BY: DICK CHEUNG

Title		P.CABLE: ROUND PAIRED FOR SVGA PANEL, 460mm
Size	Document Number	REV
A	(G:\...\DV\DV_CABLE\C6472300.SCH)	01
Date:	September 20, 2002	Sheet 1 of 1