



## Excellent Integrated System Limited

Stocking Distributor

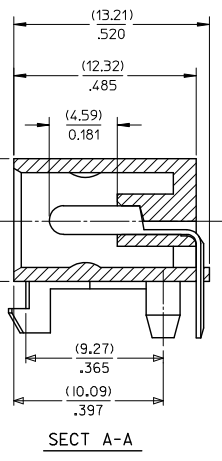
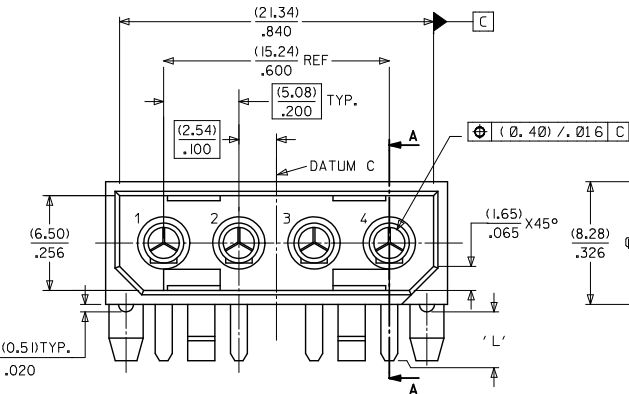
Click to view price, real time Inventory, Delivery & Lifecycle Information:

[Molex Connector Corporation](#)  
[0015244441](#)

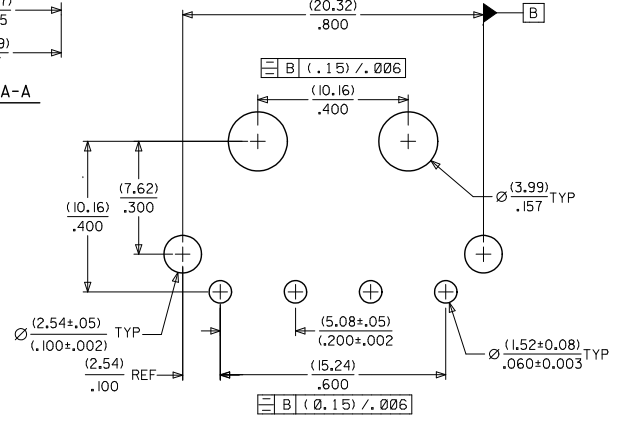
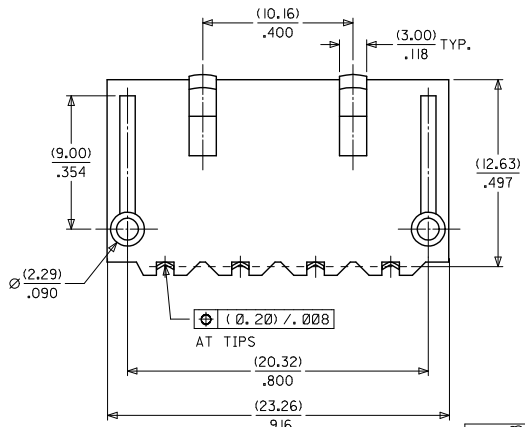
For any questions, you can email us directly:

[sales@integrated-circuit.com](mailto:sales@integrated-circuit.com)

10 9 8 7 6 5 4 3 2 1



- NOTES:
- 1) MATERIAL  
HOUSING - NYLON 6/6, UNFILLED, UL94V-2, COLOR: NATURAL(OFF-WHITE)  
TERMINAL - PHOSPHOR BRONZE  
PLATING - POSTPLATE(0.00254)/.000100 MIN.  
TIN OVER (0.00127)/.000050 MIN.  
NICKEL OVERALL.
  - 2) PART INTENDED TO MATE WITH HOUSING 8981-4P AND TERMINAL 8980-3\*
  - 3) PRODUCT SPEC PS-8981-4V\* APPLIES.



RECOMMENDED P.C. BOARD LAYOUT (TOL. +/- (.13)/.005)

MAT'L NO.	ENG. NO.	'L'
A-8981-4R-1-LF	15-24-4441	(3.56)/.140

<b>REMOVE MOST BAG NOTE</b> EC NO. S2012-0878 DRAWN:KANG CHK:DATSEE APPR:MLONG 2012/10/08 2012/10/18 2012/11/02	QUALITY SYMBOLS ▽=0 ▽=0	GENERAL TOLERANCES (UNLESS SPECIFIED)		DIMENSION STYLE MM/IN		SCALE NTS	DESIGN UNITS INCH	THIRD ANGLE PROJECTION		
		4 PLACES ± --- ± ---	3 PLACES ± --- ± .008	2 PLACES ± 0.20 ± ---	1 PLACE ± --- ± ---	ANGULAR ± 3 °	DRAWN BY GRX IE	DATE 2001/05/02	TITLE HEADER, 4 CKTS RIGHT ANGLE MOUNT	
		DRAFT WHERE APPLICABLE MUST REMAIN WITHIN DIMENSIONS					CHECKED BY KCL ING	DATE 2001/05/02	MOLEX INCORPORATED DOCUMENT NO. SD-8981-4R1	
							APPROVED BY SKTOH	DATE 2001/05/03	SHEET NO. 1 OF 1	

fb\_frame\_A3\_P\_AM\_T  
Rev. E 2006/04/15

10 9 8 7 6 5 4 3 2 1