

Excellent Integrated System Limited

Stocking Distributor

Click to view price, real time Inventory, Delivery & Lifecycle Information:

[TE Connectivity AMP Connectors](#)
[5352716-1](#)

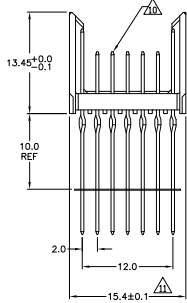
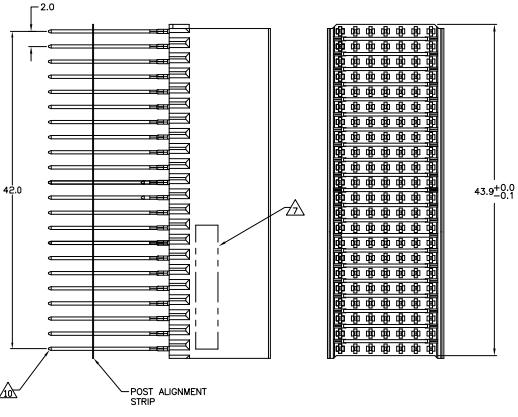
For any questions, you can email us directly:

sales@integrated-circuit.com

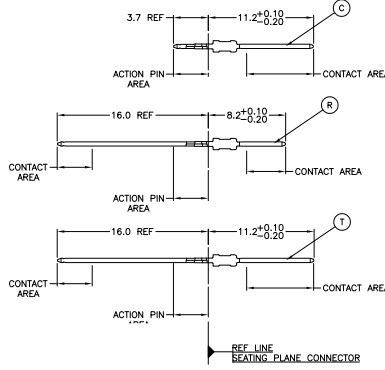
THIS DRAWING IS UNCLASSIFIED AND IS NOT TO BE RELEASED TO THE PUBLIC WITHOUT THE WRITTEN PERMISSION OF THE ORIGINAL AUTHOR. ALL RIGHTS RESERVED.

REV	DATE	BY	CHKD	APPD	REVISIONS
00					DESIGN
01					REV PER EC 0512-0318-04
					2MALL06 BC GS

CONNECTOR ASSEMBLY
EXAMPLARY LOADED



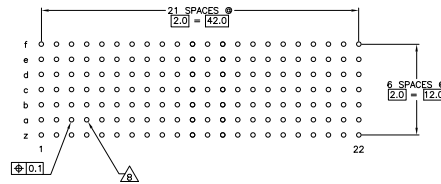
CONTACT DIMENSIONS
SCALE 5:1



CONTACT LAYOUT

	z	a	b	c	d	e	f
1	T	R	R	R	R	R	T
2	T	R	R	R	R	R	T
3	T	R	R	R	R	R	T
4	T	R	R	R	R	R	T
5	T	R	R	R	R	R	T
6	T	R	R	R	R	R	T
7	T	R	R	R	R	R	T
8	T	R	R	R	R	R	T
9	T	R	R	R	R	R	T
10	T	R	R	R	R	R	T
11	C	R	R	R	R	R	C
12	C	R	R	R	R	R	C
13	T	R	R	R	R	R	T
14	T	R	R	R	R	R	T
15	T	R	R	R	R	R	T
16	T	R	R	R	R	R	T
17	T	R	R	R	R	R	T
18	T	R	R	R	R	R	T
19	T	R	R	R	R	R	T
20	T	R	R	R	R	R	T
21	T	R	R	R	R	R	T
22	T	R	R	R	R	R	T

RECOMMENDED PCB-HOLE LAYOUT
COMPONENT SIDE SHOWN



PLATED THRU HOLES PARAMETERS

REFERENCE APPLICATION SPECIFICATION

△△△	1-5352716-9
△△△	5352716-9
△△△	5352716-4
△△△	5352716-1
FINISH	PART NUMBER

REV	DATE	BY	CHKD	APPD	REVISIONS
00					DESIGN
01					REV PER EC 0512-0318-04
					2MALL06 BC GS

REV	DATE	BY	CHKD	APPD	REVISIONS
00					DESIGN
01					REV PER EC 0512-0318-04
					2MALL06 BC GS

REV	DATE	BY	CHKD	APPD	REVISIONS
00					DESIGN
01					REV PER EC 0512-0318-04
					2MALL06 BC GS

REV	DATE	BY	CHKD	APPD	REVISIONS
00					DESIGN
01					REV PER EC 0512-0318-04
					2MALL06 BC GS



8 7
electronic components

REV	00	REVISED	DATE	BY	APP
AD	00	DESCRIPTION			
		SEE SHEET 1			

- △ MATERIAL:
CONTACT: PHOSPHOR BRONZE.
HOUSING: GLASS-FILLED POLYESTER.
- △ GENERAL PLATING SPECIFICATION: UNDERPLATING
(ENTIRE CONTACT): 1.27µm MIN NICKEL AND ACTION
FIN: 0.5µm MIN TIN.
FOR PLATING OF MATING SURFACES SEE APPLICABLE
SPECIFICATION REFERENCE FOR EACH DASH NUMBER.
- △ CONFORMS TO ALL TESTING ACCORDING TO IEC 61076-4-101
PERFORMANCE LEVEL 2.
- △ CONFORMS TO ALL TESTING ACCORDING TO IEC 61076-4-101
PERFORMANCE LEVEL 1.
- △ CONNECTOR TESTED AND QUALIFIED AGAINST TELCORDIA GR-1217-CORE QUALITY LEVEL 3,
CENTRAL OFFICE APPLICATIONS.
- △ CONNECTOR TESTED AND QUALIFIED AGAINST TELCORDIA GR-1217-CORE QUALITY LEVEL 3,
UNCONTROLLED ENVIRONMENT APPLICATIONS.
- △ CONNECTOR MARKED WITH PART NUMBER AND DATE CODE.
ADDITIONAL CHARACTERS OR MARKINGS, AS WELL AS THE LOCATION OF THE MARKINGS,
MAY BE ADDED FOR TRACEABILITY BASED UPON MANUFACTURERS DISCRETION.
- △ PLATED-THROUGH HOLES AT 2x2mm SQUARE GRID
PATTERN DEFINED BY CONTACT LAYOUT.
- △ FOR ACTUAL PIN LOADING SEE "CONTACT LAYOUT".
- △ FOR ACTUAL PIN DIMENSIONS SEE "CONTACT DIMENSIONS".
- △ TO BE MEASURED AT BOTTOM OF SHROUD.
- △ CONNECTOR LUBRICATED WITH BELCORE APPROVED LUBRICANT,
TECHNICAL REFERENCE: TR-NWT-001217 ISSUE 1, SEP 1992.

THIS DRAWING IS A CONTROLLED DOCUMENT		DESIGNED BY	DRIVER	TE Connectivity Corporation Harrisburg, PA 17105-2608	
APPROVED BY	DATE	DESIGNED BY	DRIVER	DESCRIPTION	REVISION
				MALE ASSEMBLY, 2-PACK 2mm HM, TYPE B	
REV	00	REVISED	DATE	BY	APP
		SEE SHEET 1			
CUSTOMER DRAWING		DATE	4-1	REV	2