

Excellent Integrated System Limited

Stocking Distributor

Click to view price, real time Inventory, Delivery & Lifecycle Information:

[Schurter](#)
[4789.1100](#)

For any questions, you can email us directly:
sales@integrated-circuit.com

Cord Connectors (rewireable)

www.schurter.com/PG07b

IEC Plug I, Cord Connector (Rewireable), Angled



Rewireable connector



Example with assembled cable



Description

- Rewireable plug for cable 90° entry:
Screwing cable terminal
- 1 Function
- Appliance Inlet, Pin temperature 70 °C, Protection class I
- Screw clamps

Approvals

- VDE Certificate Number: 40008629
- UL File Number: E96454
- CCC File Number: 2014010204709155

Characteristics

- Suitable for use in equipment according to IEC/UL 60950

References

Substitute for type 1611

Weblinks

[pdf-datasheet](#), [html-datasheet](#), [General Product Information](#), [RoHS](#), [CHINA-RoHS](#), [REACH](#), [Distributor-Stock-Check](#), [Accessories](#), [Detailed request for product](#)

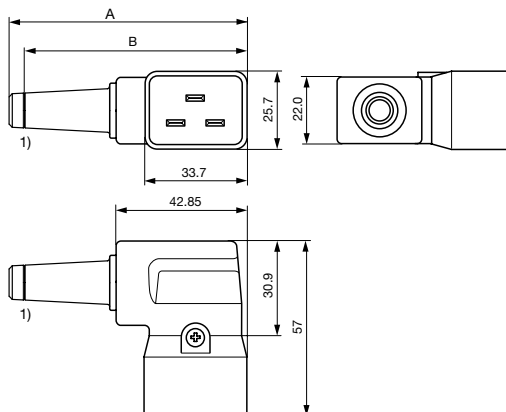
Technical Data

Ratings IEC	16A / 250VAC; 50Hz
Ratings UL/CSA	20A / 250VAC; 60Hz
Dielectric Strength	> 2 kVAC between L-N > 2 kVAC between L/N-PE (1 min/50Hz)
Allowable Operation Temp.	-25 °C to 70 °C
Protection Class	Suitable for appliances with protection class I acc. to IEC 61140
Terminal	Screw
Material: Housing	Thermoplastic, black, UL 94V-0

Plug	Type I acc. to IEC 60320-2-2, UL 60320-1, CSA C22.2 no. 60320-1-11 (for cold conditions) pin-temperature 70 °C, 16A, Protection Class I
------	--

Dimensions

4789



- 1) Cut strain relief 8 (10) mm here for 10 mm cable
A: Strain relief 8 mm: 77.85 mm
B: Strain relief 10 mm: 72.85 mm

All Variants

Color	Max. cable diameter	Max. wire size	Order Number
black	8 (10) mm	3 x 1.5 mm ² / 3 x 14 AWG	4789.1100
black	10 mm	3 x 1.5 mm ² / 3 x 14 AWG	4789.1200

Max. torque for screws: Terminals: 0.8 Nm, Cable clamps: 0.8 Nm, Cover: 0.5 Nm

Packaging unit 50 Pcs

Mating Outlets/Connectors

Category / Description

Appliance Outlet Overview complete



IEC Appliance Outlet J, Screw-on Mounting, Front Side, Solder or Quick-connect Terminal	0723
IEC Appliance Outlet J, Snap-in/Screw-on Mounting, Front Side, Solder or Quick-connect Terminal	4797
IEC Appliance Outlet J, Screw-on Mounting, Front Side, Quick-connect Terminal	5017
IEC Appliance Outlet J, Screw-on Mounting, Front Side, Quick-connect Terminal	5216

Appliance Outlet further types to 4789

Connector Overview complete



IEC Connector C19, Rewireable, Straight	4795
IEC Connector C19, Rewireable, Angled	4790
IEC Connector C19, Rewireable, Straight	0104U

Connector further types to 4789