

Excellent Integrated System Limited

Stocking Distributor

Click to view price, real time Inventory, Delivery & Lifecycle Information:

[Comair Rotron](#)
[19028421A](#)

For any questions, you can email us directly:
sales@integrated-circuit.com

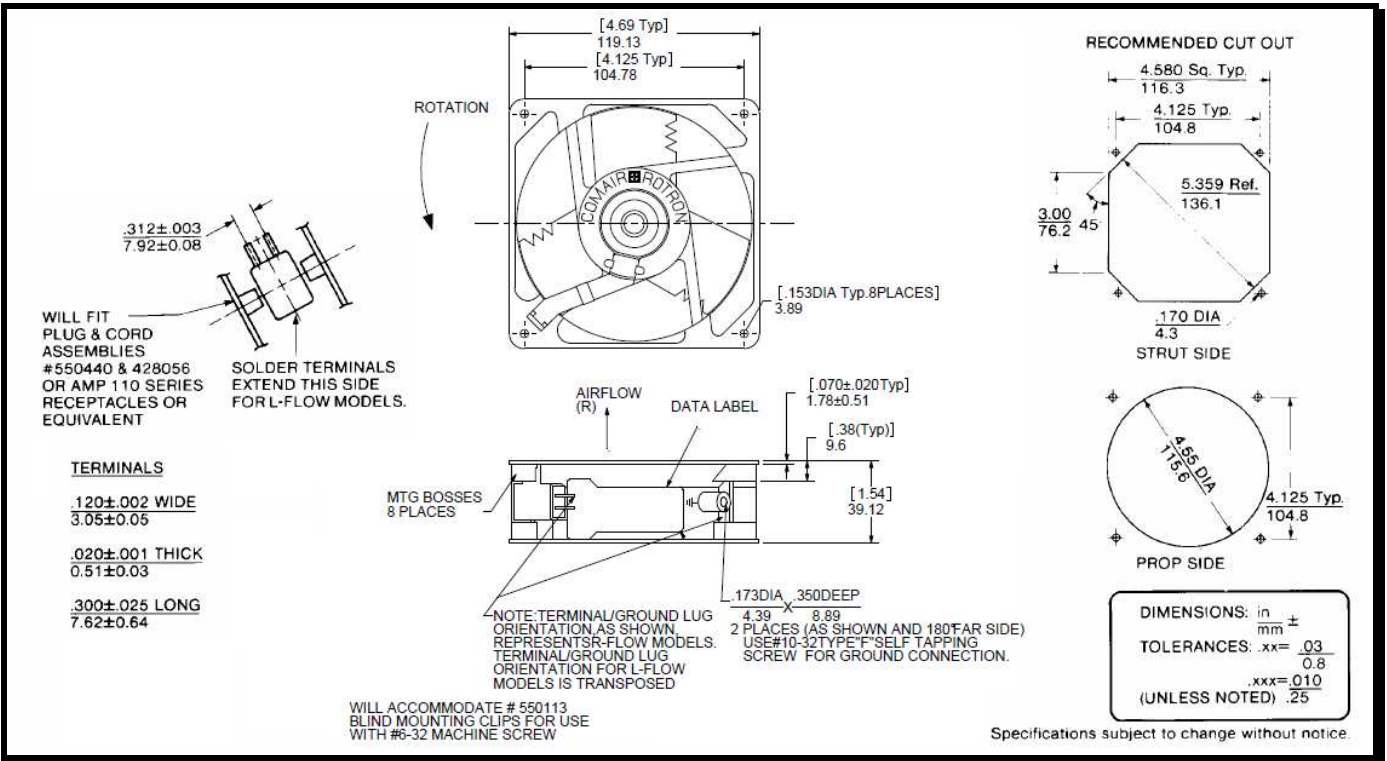
SPECIFICATIONS (RoHS Compliant)



Model Number: MX3B1
Part Number: 19028421A

Jan 24, 2013

Mechanical Drawing:



Motor:

Nominal Voltage	= 220/230 VAC
Frequency	= 50/60 Hz
Nominal Running Current	= 0.100 / 0.090 amps
Locked Rotor Current	= 0.145 amps
Running Power	= 17.0 / 16.0 watts
Average Speed	= 2700 / 3100 RPM
Bearings	= Ball
Air Flow	= 92 / 108 CFM
Acoustic	= 43.4 / 51.0 dBA

Construction:

Venturi: Zinc Alloy, Black.
 Propeller: Plastic, Gray, UL 94V-0

Life Expectancy:

This fan is designed for continuous duty life of 55,000 hours at 40°C.

Additional Features:

Shaded pole induction motor
 Automatic Restart Capability
 Impedance Protection
 Feather Edge Propeller
 Operating Temperature: -10°C to 70°C
 Storage Temperature: -40°C to 85°C

Termination:

2 Terminals

Agency Approvals:

UL