

Excellent Integrated System Limited

Stocking Distributor

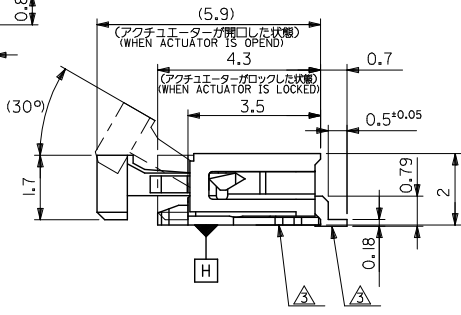
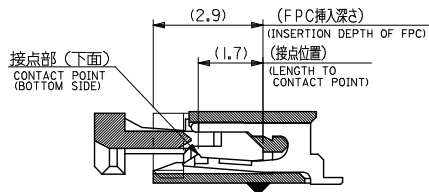
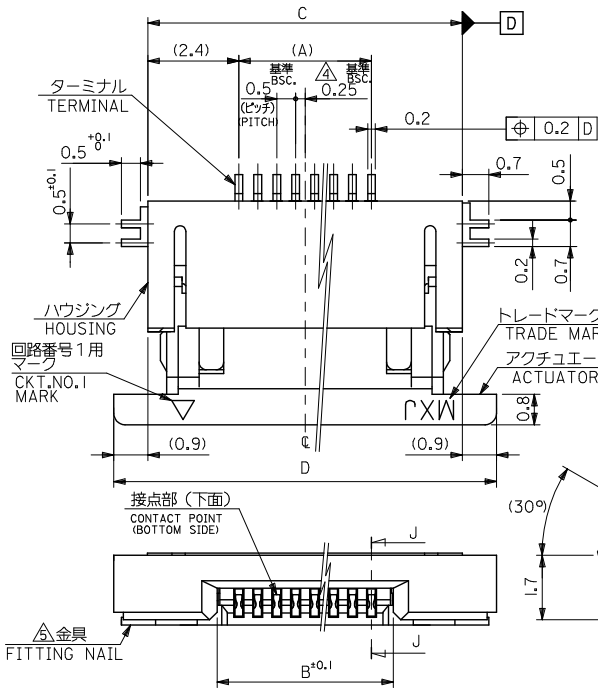
Click to view price, real time Inventory, Delivery & Lifecycle Information:

[Molex Connector Corporation](#)
[52746-1570](#)

For any questions, you can email us directly:

sales@integrated-circuit.com

10 9 8 7 6 5 4 3 2 1

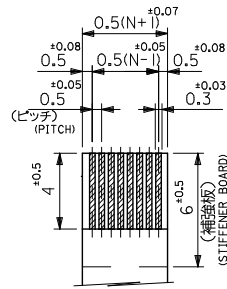
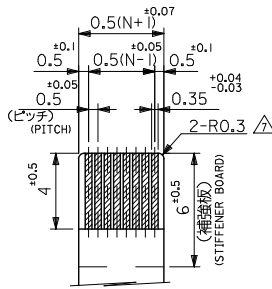


| | | | | | | |
|------|------|-------|------|------------|------------|----|
| 21.1 | 19.3 | 15.65 | 14.5 | 52746-3070 | 52746-3019 | 30 |
| 20.6 | 18.8 | 15.15 | 14.0 | -2970 | -2919 | 29 |
| 20.1 | 18.3 | 14.65 | 13.5 | -2870 | -2819 | 28 |
| 19.1 | 17.3 | 13.65 | 12.5 | -2670 | -2619 | 26 |
| 18.6 | 16.8 | 13.15 | 12.0 | -2570 | -2519 | 25 |
| 18.1 | 16.3 | 12.65 | 11.5 | -2470 | -2419 | 24 |
| 17.6 | 15.8 | 12.15 | 11.0 | -2370 | -2319 | 23 |
| 17.1 | 15.3 | 11.65 | 10.5 | -2270 | -2219 | 22 |
| 16.6 | 14.8 | 11.15 | 10.0 | -2170 | -2119 | 21 |
| 16.1 | 14.3 | 10.65 | 9.5 | -2070 | -2019 | 20 |
| 15.6 | 13.8 | 10.15 | 9.0 | -1970 | -1919 | 19 |
| 15.1 | 13.3 | 9.65 | 8.5 | -1870 | -1819 | 18 |
| 14.6 | 12.8 | 9.15 | 8.0 | -1770 | -1719 | 17 |
| 14.1 | 12.3 | 8.65 | 7.5 | -1670 | -1619 | 16 |
| 13.6 | 11.8 | 8.15 | 7.0 | -1570 | -1519 | 15 |
| 13.1 | 11.3 | 7.65 | 6.5 | -1470 | -1419 | 14 |
| 12.6 | 10.8 | 7.15 | 6.0 | -1370 | -1319 | 13 |
| 12.1 | 10.3 | 6.65 | 5.5 | -1270 | -1219 | 12 |
| 11.6 | 9.8 | 6.15 | 5.0 | -1170 | -1119 | 11 |
| 11.1 | 9.3 | 5.65 | 4.5 | -1070 | -1019 | 10 |
| 10.6 | 8.8 | 5.15 | 4.0 | -0970 | -0919 | 9 |
| 10.1 | 8.3 | 4.65 | 3.5 | -0870 | -0819 | 8 |
| 9.6 | 7.8 | 4.15 | 3.0 | -0770 | -0719 | 7 |
| 9.1 | 7.3 | 3.65 | 2.5 | -0670 | -0619 | 6 |
| 8.1 | 6.3 | 2.65 | 1.5 | 52746-0470 | 52746-0419 | 4 |

| | | | | | | |
|----------------------------------------------------------------------------------------------------------------------------------------------------------------|---------------------------------------|--------------|-------------------------------------------------------------------------------------------------------------------------------|--------------|---------------------------|------------------|
| REVISED EC NO. J2013-1579 DRAWN BY: T. UENO CHECKED BY: M. SASAO APPROVED BY: M. SASAO DATE: 2013/06/24 DATE: 2013/06/24 DATE: 2013/07/02 | GENERAL TOLERANCES (UNLESS SPECIFIED) | | DIMENSION STYLE | SCALE | DESIGN UNITS | MODEL NO. |
| | | | MM ONLY | --- | METRIC | 52746-1570 |
| | 10 UNDER | ±0.2 | DRAWN BY | DATE | TITLE | |
| | 10 OVER 30 UNDER | ±0.25 | T. UENO | '03/12/12 | 0.5 FPC CONN. ZIF SMT R/A | |
| 30 OVER | ±0.3 | CHECKED BY | DATE | -LEAD FREE- | | |
| ANGULAR | ±3 ° | M. SASAO | '03/12/12 | molex | | |
| DRAFT WHERE APPLICABLE MUST REMAIN WITHIN DIMENSIONS | | MATERIAL NO. | DOCUMENT NO. | SEE CHART | SD-52746-028 | SHEET NO. 1 OF 2 |
| | | SIZE | THIS DRAWING CONTAINS INFORMATION THAT IS PROPRIETARY TO MOLEX INCORPORATED AND SHOULD NOT BE USED WITHOUT WRITTEN PERMISSION | | | |

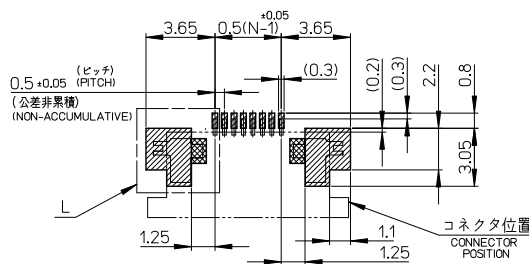
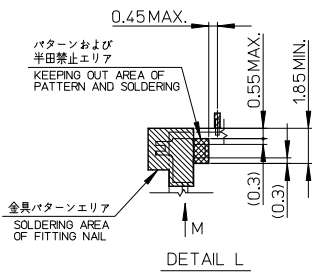
9 8 7 6 5 4 3 2

10 9 8 7 6 5 4 3 2 1



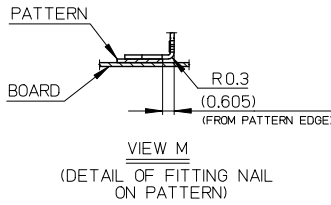
注記 NOTES

1. 使用材料 MATERIAL
ハウジング : 46ナイロン, UL94V-0
HOUSING : 46NYLON
アクチュエータ : PPS, UL94V-0
ACTUATOR
ターミナル : リン青銅 (+0.2) ニッケル下地・鍍ビスマスメッキ
TERMINAL PHOS-BRO, TIN-BITHMUS OVER NICKEL PLATED
金具 : リン青銅 (+0.2) ニッケル下地、鍍メッキ
FITTING NAIL PHOS-BRO, TIN OVER NICKEL PLATED
2. エンボステープ細包時は、アクチュエータがロックした状態とする。
IN THE PACKAGE, ACTUATOR OF PART NO.52746-**-19 SHOULD BE LOCKED.
- △ソルダータール半田付け面のズレ量、及び金具半田付け面のズレ量は、基準面 H に対し上方向 0.1 MAX.、下方向 0.15 MAX. とする。
MISALIGNMENT OF SOLDER TAILS AND FITTING NAILS FROM H
UPPER DIRECTION: 0.1 MAX. , LOWER DIRECTION: 0.15 MAX.
- △偶数極に適用。
APPLY FOR EVEN CIRCUIT.
- △ノターンはくり止め用金具
FITTING NAIL FOR PREVENTION OF PEELING OF P.C.B. PATTERN.
- 6 本製品は 52746-**-17 の鉛フリー品です。
THIS PRODUCT IS LEAD FREE OF 52746-**-17
- △R0.3は、FPCの導体部にかからないこと。
R0.3 MUST NOT BE OVERLAPPED TO PATTERN OF FPC.



FPCについて:
打抜き方向は導体部から補強板を推奨致します。
補強フィルム材質はポリイミドを推奨致します。
接着剤は熱硬化接着剤を推奨致します。

ABOUT FPC:
RECOMMENDED PUNCHER DIRECTION : FROM CONDUCTOR SIDE TO STIFFENER BOARD SIDE.
RECOMMENDED MATERIAL :
STIFFENER FILM : POLYIMIDE
BONDING AGENT : THERMOSETTING BONDING AGENT



| | | | | | | | | | |
|-----------------------------------------------------------------------------------------------|-------------------------------------------------------|------------------------------------------------------|--------|-------------------------------------------------------------------------------------------------------------------------------|-----------|-------|--------------|------------------------|---------------------------------------|
| REVISED IEC NO. J2013-1579 DRAWN: NINOUE01 CHKD: H. IJIMA APPR: Y. INOYAMA REV | DESCRIPTION 2013/06/24 2013/06/24 2013/07/02 | GENERAL TOLERANCES (UNLESS SPECIFIED) | | DIMENSION STYLE | | SCALE | 52746-**-19 | MODEL NO. | |
| | | | | MM ONLY | | --- | DESIGN UNITS | THIRD ANGLE PROJECTION | |
| | | 10 UNDER | ± 0.2 | DRAWN BY | DATE | TITLE | METRIC | ◎ | 0.5 FPC CONN. ZIF SMT R/A -LEAD FREE- |
| | | 10 OVER 30 UNDER | ± 0.25 | T. UENO | '03/12/12 | | | | |
| | | 30 OVER | ± 0.3 | CHECKED BY | DATE | | | | |
| | | ANGULAR | ± 3 ° | M. SASAO | '03/12/12 | | | | |
| | | DRAFT WHERE APPLICABLE MUST REMAIN WITHIN DIMENSIONS | | APPROVED BY | DATE | | | | |
| | | | | M. SASAO | '03/12/12 | | | | |
| | | | | MATERIAL NO. | | | | | |
| | | | | SEE CHART 10F2 | | | | | |
| | | | | SIZE | | | | | |
| | | | | A3 | | | | | |
| | | | | THIS DRAWING CONTAINS INFORMATION THAT IS PROPRIETARY TO MOLEX INCORPORATED AND SHOULD NOT BE USED WITHOUT WRITTEN PERMISSION | | | | | |
| | | | | DOCUMENT NO. | | | SD-52746-028 | SHEET NO. 2 OF 2 | |

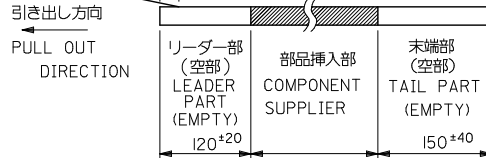
9 8 7 6 5 4 3 2

注記 NOTES

1. 製品番号 52746-***19 の梱包状態はアクチュエータがロックした状態とする。
詳細寸法については図面 SD-52746-028 を参照下さい。
IN THE PACKAGE,ACTUATOR OF PART NO.52746-***19 SHOULD BE LOCKED
RE DETAILED DIMENSIONS,SEE SD-52746-028.

2. 梱包数量：1000個/リール
NUMBER OF CONNECTORS:1000PCS/REEL

3. リードテープ長さ LEAD TAPE LENGTH

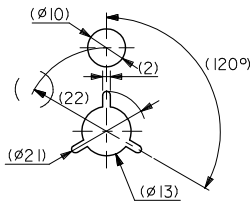
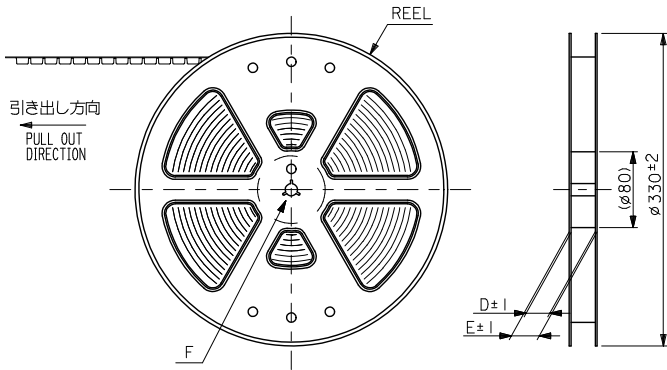


4. 材料 キャリアテープ:ポリプロピレン (PP)
トップテープ:PET, PE, PEF
リール:ポリスチレン (PS) <リサイクル材を含む>

MATERIAL CARRIER TAPE:POLYPROPYLENE
TOP TAPE:PET,PE,PEF
REEL:POLYSTYREN(PS)
<RECYCLE MATERIAL CONTAINED>

5. 本製品は 52746-***90 の鉛フリー品です
THIS PRODUCT IS LEAD FREE OF 52746-***90

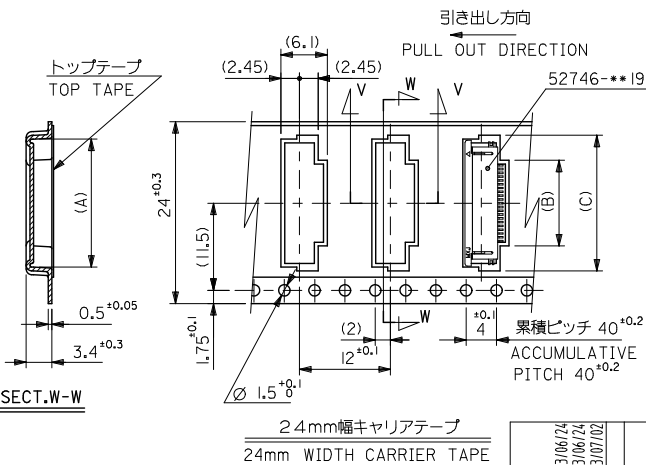
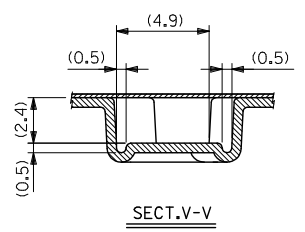
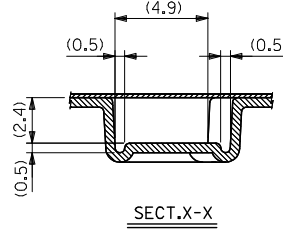
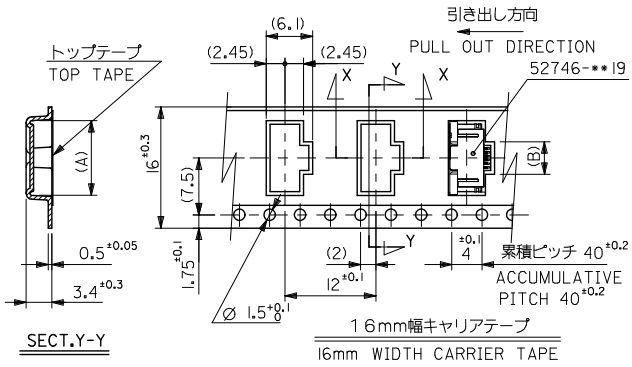
6. 本製品は乾燥剤入り、ハイバリア梱包仕様である。
THIS PRODUCT IS HIGH BARRIER PACKAGE WITH DESICCANT.



DETAIL F

| | | | | | | |
|-------------------------------------------------------------------------------------------------|---------------------------------------|--------------|-----------------|-------------------------------------------------------------------------------------------------------------------------------|-------------------------|------------------------|
| REVISED EC NO: J2013-1579 DRAWN BY: 2013/06/24 CHKD BY: 2013/06/24 APPR: 2013/07/02 | GENERAL TOLERANCES (UNLESS SPECIFIED) | | DIMENSION STYLE | SCALE | 52746-***70 | MODEL NO. |
| | | | MM ONLY | --- | DESIGN UNITS METRIC | THIRD ANGLE PROJECTION |
| | 10 UNDER | ±--- | DRAWN BY | DATE | 0.5 FPC CONN ZIF SMT RA | |
| | 10 OVER 30 UNDER | ±--- | T. UENO | '03/12/12 | -LEAD FREE- | |
| 30 OVER | ±--- | CHECKED BY | DATE | molex | | |
| ANGULAR | ±--- ° | M. SASAO | '03/12/12 | DOCUMENT NO. SD-52746-029 | | |
| DRAFT WHERE APPLICABLE MUST REMAIN WITHIN DIMENSIONS | | MATERIAL NO. | SEE CHART 20F2 | SHEET NO. 1 OF 2 | | |
| | | SIZE | A3 | THIS DRAWING CONTAINS INFORMATION THAT IS PROPRIETARY TO MOLEX INCORPORATED AND SHOULD NOT BE USED WITHOUT WRITTEN PERMISSION | | |

10 9 8 7 6 5 4 3 2 1



| | | | | | | | |
|--------------------------------|------|------|-------|------|------------|--------------|----------------|
| 24 | 29.4 | 25.4 | 17.4 | 10.8 | 16.4 | 52746-2070 | 20 |
| | | | 16.9 | 10.3 | 15.9 | -1970 | 19 |
| | | | 16.4 | 9.8 | 15.4 | -1870 | 18 |
| | | | 15.9 | 9.3 | 14.9 | -1770 | 17 |
| | | | 15.4 | 8.8 | 14.4 | -1670 | 16 |
| | | | 14.9 | 8.3 | 13.9 | -1570 | 15 |
| | | | 14.4 | 7.8 | 13.4 | -1470 | 14 |
| | | | 13.9 | 7.3 | 12.9 | -1370 | 13 |
| | | | 13.4 | 6.8 | 12.4 | -1270 | 12 |
| | | | 12.9 | 6.3 | 11.9 | -1170 | 11 |
| | | | 12.4 | 5.8 | 11.4 | -1070 | 10 |
| | | | 11.9 | 5.3 | 10.9 | -0970 | 9 |
| | | | 11.4 | 4.8 | 10.4 | -0870 | 8 |
| 10.9 | 4.3 | 9.9 | -0770 | 7 | | | |
| 10.4 | 3.8 | 9.4 | -0670 | 6 | | | |
| 16 | 21.4 | 17.4 | 2.8 | 8.4 | 52746-0470 | 4 | |
| キャリアテープ幅 CARRIER TAPE WIDTH | E | D | (C) | (B) | (A) | MATERIAL NO. | 極致 CIRCUITS |

| | | | | | | | | |
|-------------------------------------------------------------------------------------------------------------------------------|-------------|------------------------------------------------------------|--------|----------------------------------------------------------------------------------------------------------------------------------|-------------------|----------------------------------|------------------------|------------------------|
| REVISED EC NO. J2013-1579 DRAWN: INOLE01 CHKD: H. IJIMA APPR: Y. NAGAWA 2013/06/24 2013/06/24 2013/07/02 | DESCRIPTION | GENERAL TOLERANCES (UNLESS SPECIFIED) | | DIMENSION STYLE MM ONLY | | SCALE --- | 52746-***70 | MODEL NO. |
| | | 10 UNDER | ±--- | DRAWN BY T. UENO | DATE '03/12/12 | TITLE 0.5 FPC CONN ZIF SMT RA | DESIGN UNITS METRIC | THIRD ANGLE PROJECTION |
| | | 10 OVER 30 UNDER | ±--- | CHECKED BY M. SASAO | DATE '03/12/12 | -LEAD FREE- | ◎ | |
| | | 30 OVER | ±--- | APPROVED BY M. SASAO | DATE '03/12/12 | molex | | |
| | | ANGULAR | ±--- ° | MATERIAL NO. | SEE CHART | DOCUMENT NO. | SD-52746-029 | SHEET NO. 2 OF 2 |
| | | DRAFT WHERE APPLICABLE MUST REMAIN WITHIN DIMENSIONS | | THIS DRAWING CONTAINS INFORMATION THAT IS PROPRIETARY TO MOLEX INCORPORATED AND SHOULD NOT BE USED WITHOUT WRITTEN PERMISSION | | | | |

9 8 7 6 5 4 3 2