

## Excellent Integrated System Limited

Stocking Distributor

Click to view price, real time Inventory, Delivery & Lifecycle Information:

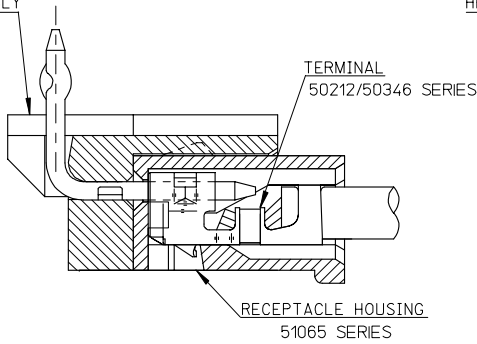
[Molex Connector Corporation](#)  
[53253-1070](#)

For any questions, you can email us directly:

[sales@integrated-circuit.com](mailto:sales@integrated-circuit.com)

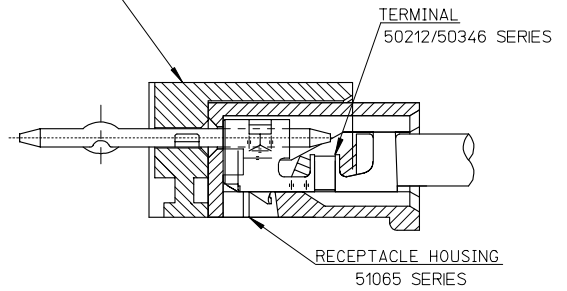
10 9 8 7 6 5 4 3 2 1

HEADER HOUSING ASSEMBLY  
53254SERIES

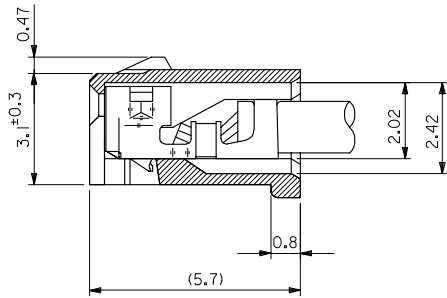


51065シリーズ/53254シリーズ 嵌合状態図 参考  
51065 SERIES/53254 SERIES MATED DRAWING (REF.)

HEADER HOUSING ASSEMBLY  
53253SERIES



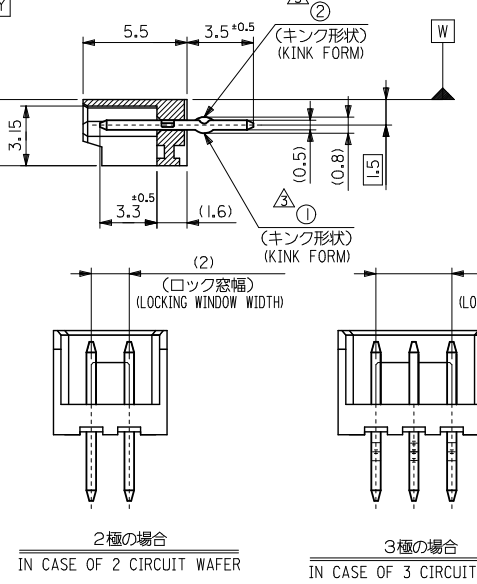
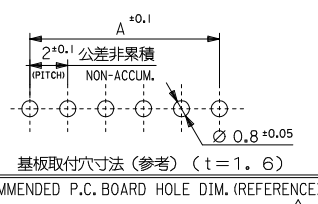
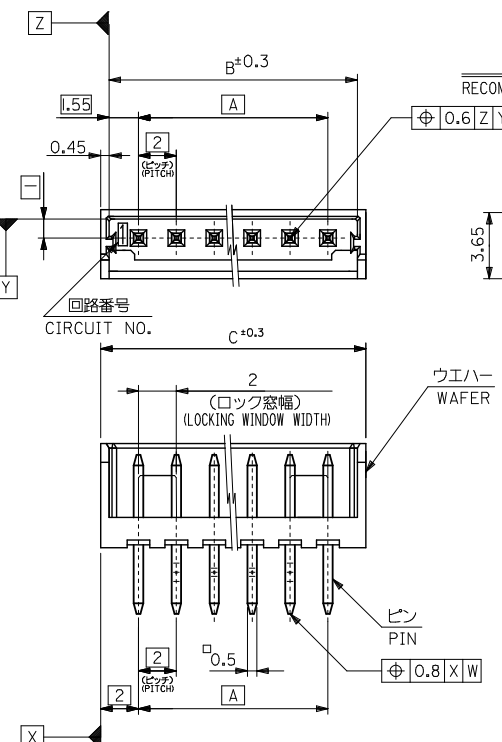
51065シリーズ/53253シリーズ 嵌合状態図 参考  
51065 SERIES/53253 SERIES MATED DRAWING (REF.)



ターミナル装着状態図  
TERMINAL ASS'Y DWG.

RELEASED EC NO: J2008-2041 DRAWN BY: AOYAGI CHKD: HARUYAMA APP: NIKITA 2007/11/21 2007/11/22 2007/11/22	GENERAL TOLERANCES (UNLESS SPECIFIED)		DIMENSION STYLE MM ONLY	SCALE 10:1	DESIGN UNITS METRIC	THIRD ANGLE PROJECTION	
	10 UNDER	±0.2	DRAWN BY Y. AOYAGI	DATE 2007/11/13	TITLE NEW 2.0 W/B CONN. 51065/53253OR51065/53254		
	10 OVER 30 UNDER	±0.25	CHECKED BY N. UKITA	DATE 2007/11/13	MOLEX INCORPORATED		
	30 OVER	±0.3	APPROVED BY N. UKITA	DATE 2007/11/13	MATERIAL NO. SEE TABLE	DOCUMENT NO. SD-51065-006	SHEET NO. 1 OF 1
0	DESCRIPTION	ANGULAR ±1°	DRAFT WHERE APPLICABLE MUST REMAIN WITHIN DIMENSIONS				SIZE A3
THIS DRAWING CONTAINS INFORMATION THAT IS PROPRIETARY TO MOLEX INCORPORATED AND SHOULD NOT BE USED WITHOUT WRITTEN PERMISSION							

10 9 8 7 6 5 4 3 2 1



**注記 NOTES**

1. 嵌合相手: 51065 シリーズ  
MATE WITH: 51065 SERIES
2. 材質 MATERIAL  
ウエハー: ポリアミド, UL94V-0 色: ナチュラル(白)  
WAFER: POLYAMIDE, UL94V-0 COLOR: NATURAL (WHITE)  
ピン: 黄銅, 錫メッキ  
PIN: BRASS, TIN(Sn) PLATING
- △ キングは下記表の位置及び形状に付加のこと。2極はキング無し。  
KINK TO BE APPLIED AS FOLLOWS,  
2 CIRCUIT HAS NO KINK.
4. 本製品は、53253\*\*10の鉛フリー品です。  
THIS PRODUCT IS LEAD FREE OF 53253\*\*10.
5. 梱包仕様 PACKAGING  
53253\*\*70 トレー TRAY  
53253\*\*50 ポリ袋 POLYBAG

種数 CKT	回路番号 CKT NO.	1	2	3	4	5	N-2	N-1	N
6 種以上	MORE THAN 6 CKT	①	①	②	—	—	②	①	—
5 種	5 CKT	①	②	—	②	①	—	—	—
4 種	4 CKT	①	②	②	①	—	—	—	—
3 種	3 CKT	①	②	①	—	—	—	—	—

32	31.1	28	532531550	532531570	15
30	29.1	26	1450	1470	14
28	27.1	24	1350	1370	13
26	25.1	22	1250	1270	12
24	23.1	20	1150	1170	11
22	21.1	18	1050	1070	10
20	19.1	16	0950	0970	9
18	17.1	14	0850	0870	8
16	15.1	12	0750	0770	7
14	13.1	10	0650	0670	6
12	11.1	8	0550	0570	5
10	9.1	6	0450	0470	4
8	7.1	4	—	0370	3
6	5.1	2	532530250	532530270	2
C	B	A	MATERIAL NO.	MATERIAL NO.	種数
			MODEL NO.	53253**70/**50	

REVISED	DESCRIPTION	GENERAL TOLERANCES (UNLESS SPECIFIED)		DIMENSION STYLE		SCALE	DESIGN UNITS	THIRD ANGLE PROJECTION	
		10 UNDER	± 0.2	MM ONLY	5:1	METRIC	☉	□	
		10 OVER	± 0.25					NEW 2.0 WIRE TO BOARD CONN. WAFER ASSY (ST.) -LEAD FREE-	
		30 OVER	± 0.3					<b>molex</b>	
		ANGULAR	± 3 °					SEE CHART	SD-53253-001
		DRAFT WHERE APPLICABLE MUST REMAIN WITHIN DIMENSIONS		THIS DRAWING CONTAINS INFORMATION THAT IS PROPRIETARY TO MOLEX INCORPORATED AND SHOULD NOT BE USED WITHOUT WRITTEN PERMISSION					SHEET NO. 1 OF 1

9 8 7 6 5 4 3 2 1