

## Excellent Integrated System Limited

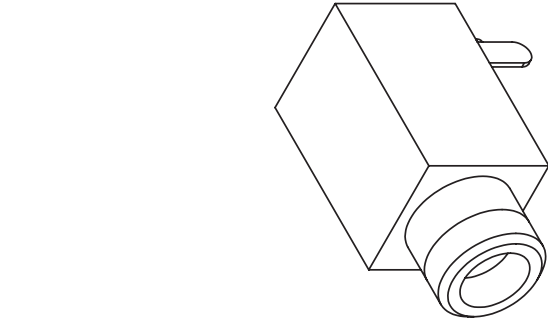
Stocking Distributor

Click to view price, real time Inventory, Delivery & Lifecycle Information:

[CUI Inc.](#)  
[MJ-2503A](#)

For any questions, you can email us directly:  
[sales@integrated-circuit.com](mailto:sales@integrated-circuit.com)

REV.	DESCRIPTION	DATE
A	NEW DRAWING	1/18/2006

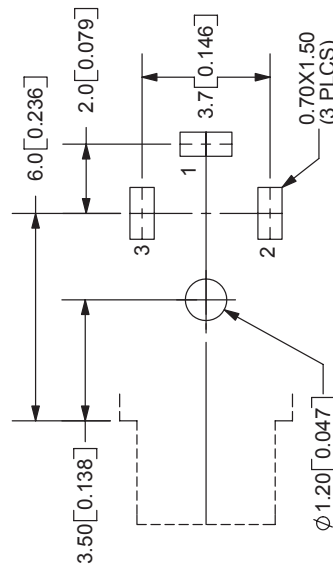
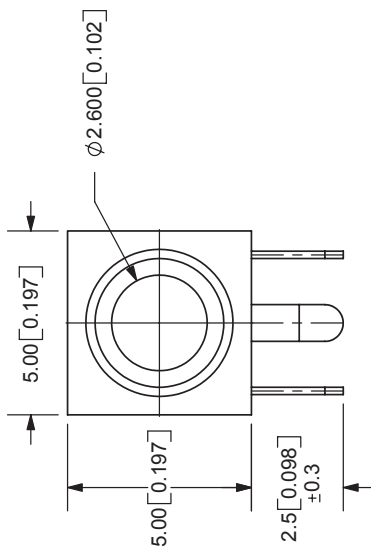
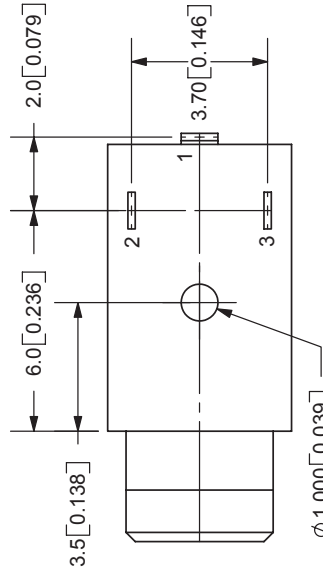
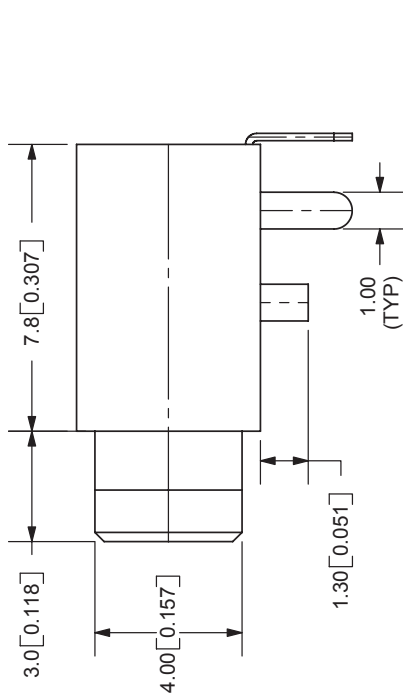


TOLERANCE:  
X.X ±0.2mm  
X.XX ±0.1mm  
X.XXX ±0.05mm



20050 SW 112th Ave.  
Tualatin, OR 97062  
Phone: 503-643-4899  
800-275-4899  
Fax: 503-372-1266  
Website: www.cui.com

TITLE:	2.5mm PHONE JACK	REV:	A
PART NO:	MJ1-2503A	UNITS:	MM [INCHES]
DRAWN BY:	ZRJ	APPROVED BY:	



SPECIFICATIONS:  
RATING: 12V DC @ 1A  
CONTACT RESISTANCE: 100m OHMS MAX  
INSULATION RESISTANCE: 100M OHMS MIN: 500V DC  
VOLTAGE WITHSTAND: 500V AC R.M.S. FOR 1 MINUTE  
LIFE: 5,000 CYCLES  
OPERATING TEMP: -25° ~ +85°C

PCB LAYOUT  
TOP VIEW

MODEL NO.	MJ1-2503A
SCHEMATIC	

TERMINAL	MATERIAL	PLATING
TERMINAL 1	Brass	Tin
TERMINAL 2	Copper Alloy	Tin
TERMINAL 3	Copper Alloy	Tin
BUSHING	Brass	Nickel
HOUSING	PBT	