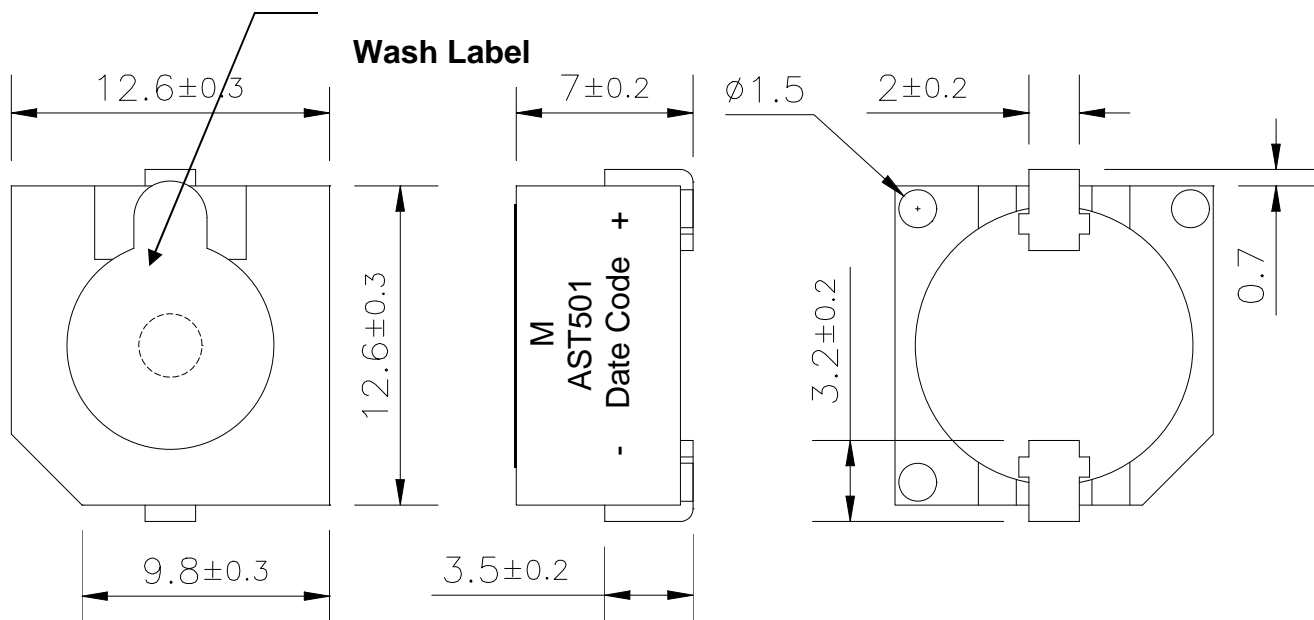


**Specifications:****NO CIRCUITRY**

Resonant Frequency (Hz)	2400
Operating Voltage (Vp-p)	1.0 ~ 2.0
Rated Voltage (Vp-p)	1.5
Current Consumption Max. (mA)	50 at Rated Voltage
Sound Pressure Level Min. (dB)	87 at 10cm at Rated Voltage
Coil Resistance ( $\Omega$ )	$15 \pm 3$
Operating Temperature ( $^{\circ}\text{C}$ )	$-30 \sim +85$
Storage Temperature ( $^{\circ}\text{C}$ )	$-40 \sim +85$
Housing	PPS plastic resin (Color: Gray)
Type of Connection Terminals	SMD
Weight (Grams)	2.6
Options	For other options contact factory

**Dimensions:** (units: mm)

PS: Vp-p = 1/2duty, square wave

**ROHS Compliant****Packaging:**

Parts are supplied in tubes of 35 pieces.

Units come with wash label and are appropriate for aqueous wash.